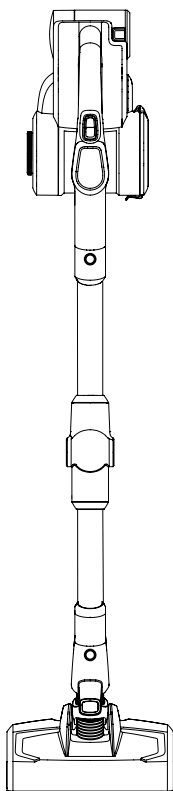


JIMMY



H9 Pro

Instruction Manual	Vacuum Cleaner
Gebrauchsanweisung	Staubsauger
Manual de instrucciones	Aspiradora
Manuale di istruzioni	Aspirapolvere
Mode d'emploi	Aspirateur
Инструкция по эксплуатации	Пылесос

Contents

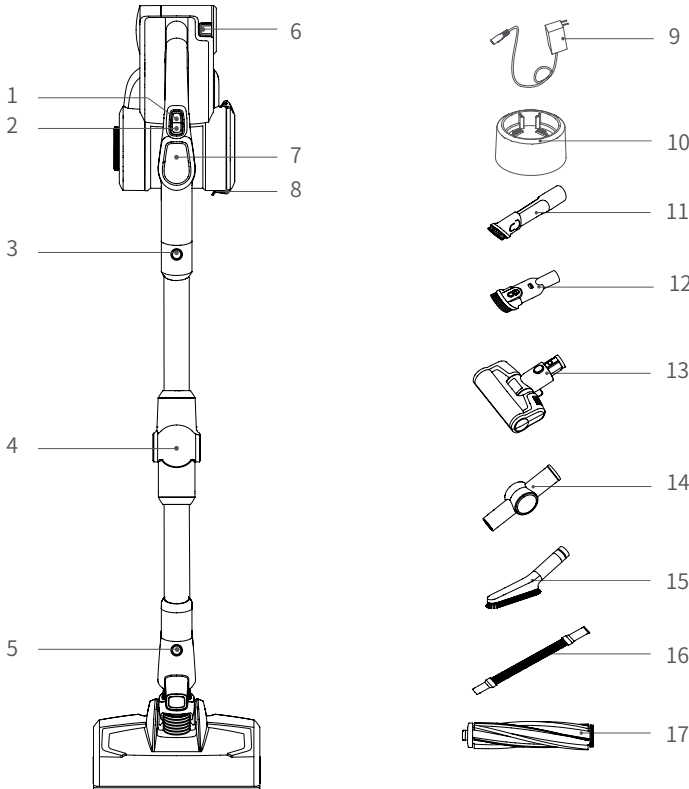
English	2
Deutsch	14
Español	27
Italiano	40
Français	53
русский язык	66

Products Installation

Unpacking

Open the package, take out the foam pad , all accessories and machine from the package, take off the plastic bag and save them for the purpose of future maintenance and repair.

Parts Name



1.Switch button

4 .Flexible metal tube

7.LED screen

10.Battery charge holder

13.Electric mattress head

16.Stretch hose

2.Power button

5. Floor head release button

8.Dust cup release latch

11.2-in-1 crevice tool

14. Connector

17.Carpet brushroll

3.Metal tube release button

6.Battery pack release button

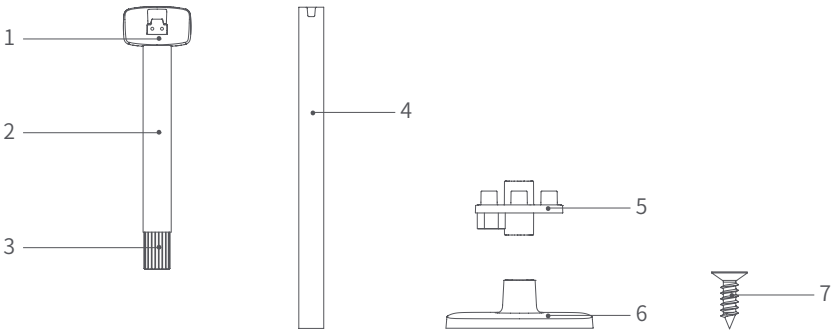
9.Charger

12.2-in-1 upholstery tool

15.Soft brush

Charge holder

Parts Name



1.Charge holder

4 .Metal tube sleeve

7.Screw*6

2.Metal tube upper

5. Metal tube lower

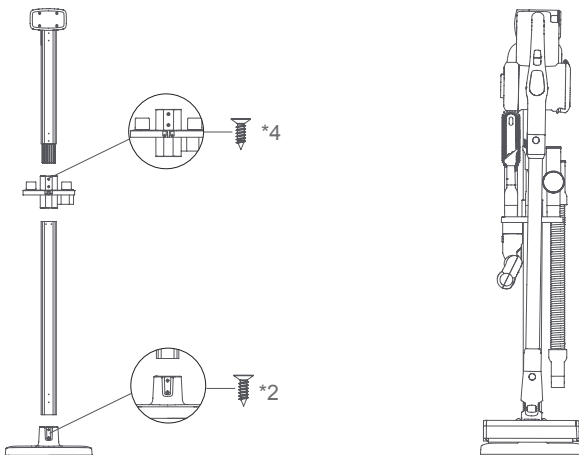
3.Accessories holder

6.Charge stand base

Assembly of charging stand

1.Put charge stand base on floor, insert the metal tube lower to the base and fix 2 screws. Assemble the accessories holder to metal tube lower, then assemble metal tube upper and charge holder, fix with 4 screws.

2.The charge stand after assembly with machine and accessories on it is as below.



Packing List

Part Name	Handheld vacuum	ElectricFloor head	Electric mattress head	2-in-1 upholstery tool	2-in-1 crevice tool
Quantity	1	1	1	1	1
Part Name	Soft brush	Carpet brushrol	Connector	Stretch hose	Flexible metal tube
Quantity	1	1	1	1	1
Part Name	Charging holder	Adaptor	Screw	Instruction manual	Battery charge holder
Quantity	1	1	2	1	1
Part Name	Accessories holder	Metal tube upper	Metal tube lower	Charge stand base	
Quantity	1	1	1	1	

Main-body Assembly

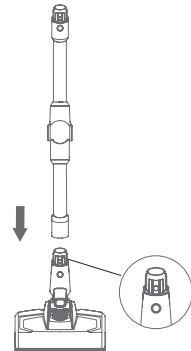
Assemble the electric floorhead and metal tube

Hold the floor head with left hand, use right hand to insert the metal tube vertically into floor head, align with the conductive needle, press the handle until a “click” sound is heard.

Attention:Keep the handle and floor head in the same direction, conductive needle shall align with the socket.

When packing, storing or cleaning, if the electric floorhead needs to be removed, press the brush release button as shown in the picture and pull the electric floorhead in the direction shown in the picture.

1

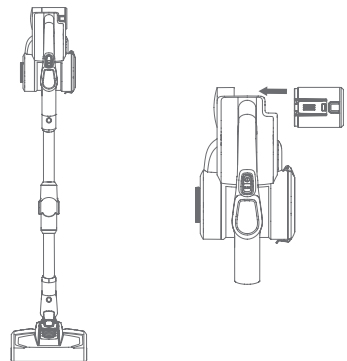


Assemble battery pack and handheld vacuum Cleaner

Assembly of battery pack: hold the hand-held vacuum cleaner in one hand, hold the battery pack in the other hand, aim at the guiding groove on the body, slide in the battery pack according to the arrow direction shown in the picture, and then pull the battery pack after installation to make sure it does not get loose.

Attention: when the vacuum cleaner is long idled, please remove the battery, pack the machine and store it in a cool and dry place, avoid direct sunlight or humid environment.

2

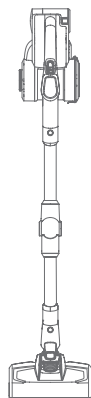


Assemble metal tube and handheld vacuum

3








First, assemble floorhead and metal tube according to the method of assembling electric floor head and metal tube.

Assemble the floorhead, metal tube and handheld vacuum cleaner: as shown by the arrow, align the conductive needle of the metal tube with the coupler of the suction nozzle, push up until a “click” sound is heard.

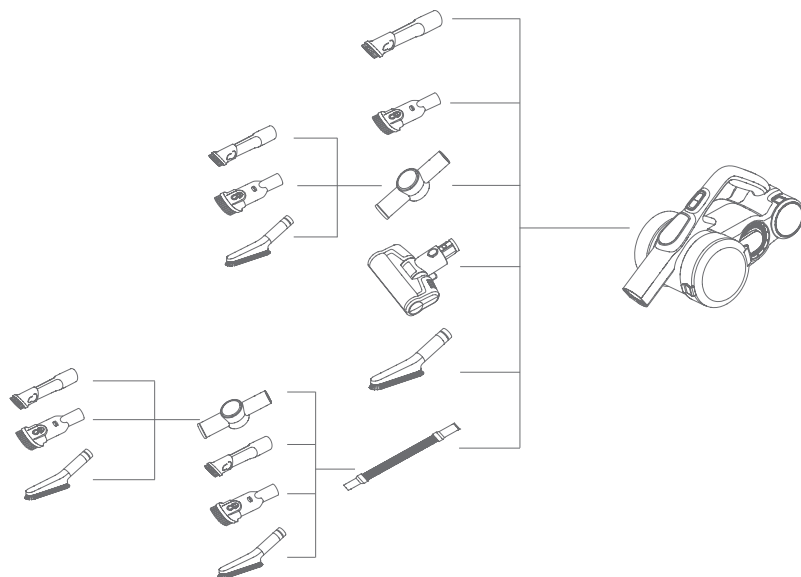


Assembly of accessories

For the convenience of use, this product is specially equipped with some accessories for the hand-held part of the vacuum cleaner. When you use the handheld vacuum cleaner alone, you can directly connect the accessories according to your needs or connect the accessories through the stretch hose.

Name \ model	H9 Pro
Electric mattress brush	
2-in-1 Upholstery tool	
2-in-1 crevice tool	
Soft brush	
Stretch hose	
connector	
Carpet brushroll	

Accessories Connection List



Use of Vacuum

Attention: When use the product for first time, battery power is not full. Need to charge the vacuum before using.

Charging holder assembly

Assembly method one: Put the vacuum cleaner in the holder, and lean the vacuum cleaner against the wall, place the holder in the position that vacuum cleaner floorhead does not touch ground. Take off the handheld vacuum cleaner, follow Fig to place expansion pipe on the wall and follow Fig to place the holder to the expansion pipe position, and lock in the screw. After assembly completed, put the vacuum to charger holder to charge or store.

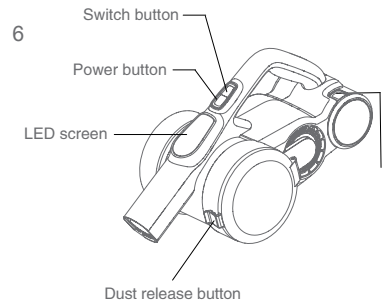
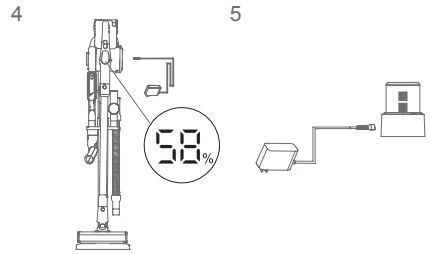
Attention: Do not fix the holder to bathroom or other humid wall.

Charging of vacuum cleaner

When the vacuum cleaner power is insufficient, charge the vacuum cleaner in time ; When the voltage is too low, to protect the battery, vacuum cleaner will be automatic power-off, at this time the vacuum cleaner need to be charged. When charging, plug the charger connector into the A/C power socket, hang the handheld vacuum cleaner on the holder to start charging. When the handheld vacuum cleaner LED display shows an increase in power, it indicates that the vacuum cleaner is charging. When charging is completed, LED display show 100% power.

After charging, please pull the charger plug off power socket and stop charging.

Attention: if power cord is damaged, to avoid danger, it must be replaced by a professional people of the manufacturer, repair ing agent or similar department.

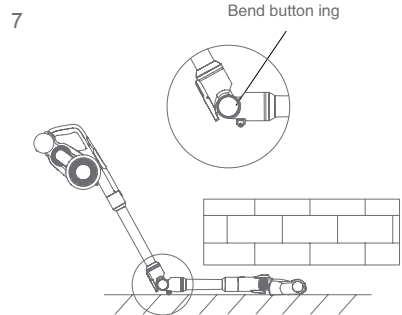


Use of Handheld Vacuum Cleaner

Take the vacuum cleaner off the holder, press the switch button on the handle to start or stop of the vacuum cleaner. When machine is turned on, it works in normal power mode, press the power button to switch to turbo or max power mode.

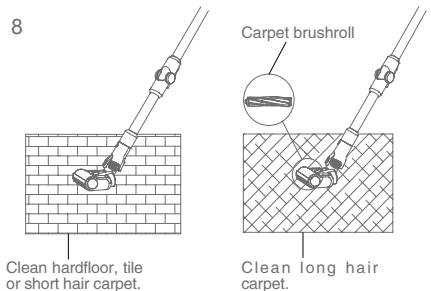
Use of Flexible Metal Tube

The flexible metal tube has two modes: vertical and bending. The vertical mode is equivalent to the normal metal tube. The bending mode can be used for cleaning under the tablebottom, bed bottom, etc. When the bending mode is needed, press the bending button as shown in the following figure, and the metal tube can achieve 0-90° bending angle.



Use of Electric Floor Head

Clean hardfloor, tile or carpet with the electric floorhead. Carpet brushroll can be replaced to the floorhead to clean long hair carpet.



Note: what is the rolling brush blocking protection? During the operation of the electric floorhead, if there is a large volume of foreign matter inhaled or too much fiber wound, or even a child in the play of the machine mistakenly put his hand into the nozzle, resulting in the brushroll abnormal stop, the electric floorhead will stop working, in order to protect personal safety and brush motor.

Use of accessories

2-in-1 crevice tool: suitable for cleaning crevice, door or window corners and other narrow gap.

2-in-1 upholstery tool: suitable for cleaning closet, windowsill, sofa and table surface.

Soft brush: suitable for cleaning easy to scratch furniture like bookshelf, handicraft etc.

Stretch hose: the stretch hose is suitable for cleaning hard to reach areas.

Electric mattress head: Suitable for sofa and mattress. The brushroll beats and then cleans the dust mite and allergen from deep sofa or bed.

Connector: Can be connected to other tools and bend to different angle to clean dust on top of high cabinets or dust on the roof.

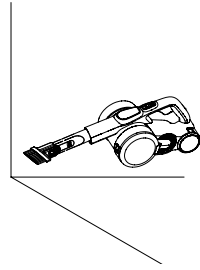
Cleaning and Replacing Parts

NOTES

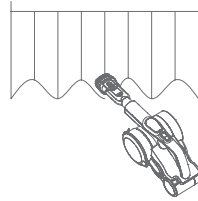
1. HEPA filter is available for sale from local vacuum cleaner distributors.

2. It is recommended to clean the dust cup after each use; When the dust cup is full or the HEPA filter is clogged, it needs to be cleaned and replaced if necessary. Electric floorhead brushroll might be entangled with hair after long time use. It needs to be cleaned in time to keep the vacuum working more efficiently.

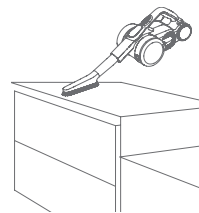
9



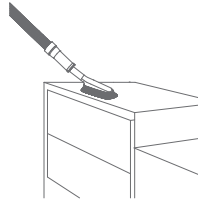
10



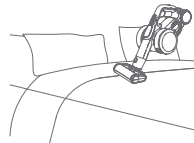
11



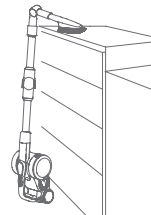
12



13



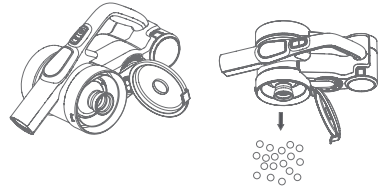
14



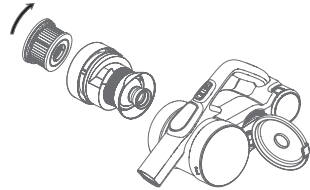
Clean dust cup and filtration system

1. Press down the dust cup bottom cover, open dust cup and dump dust into trash can.
2. Hold HEPA lid and rotate anti-clockwise, remove HEPA assembly from handheld vacuum for cleaning.
3. Hold top of cyclone assembly and rotate anti-clockwise, remove cyclone assembly from handheld vacuum for cleaning.
4. If HEPA needs wash, hold the HEPA and rotate clockwise, remove it from HEPA lid for washing.
HEPA needs completely dry before reuse.
5. After cleaning, assemble the parts back in the opposite sequence of disassembly.

15



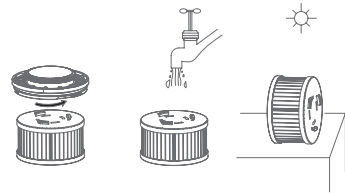
16



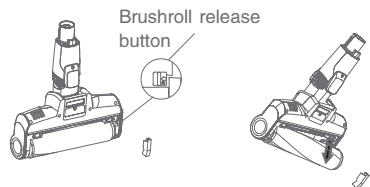
Clean brushroll

1. Move the brushroll release button along the arrow direction remove side cover.
2. Remove one end of the brushroll and take it out from nozzle for cleaning.
3. After cleaning or replacing brushroll, assemble it back in opposite sequence of disassembly.

17



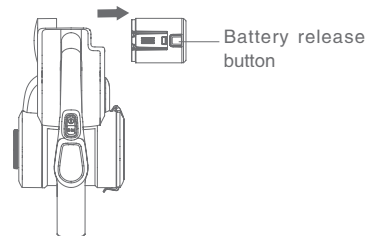
18



Battery pack disassembly

Press the battery release button, remove the battery pack in the arrow direction and place the battery in a plastic bag, then store it in a dry place.

19



Storage of main body

When the vacuum is long idled, remove the battery, pack the machine and store it in a cool and dry place, do not put in direct sunlight or humid environment.

Safety Notes

This vacuum cleaner is designed for home use. Do not use it for commercial or other purposes.

Please read this instruction manual carefully before use, properly save and store it for future use.

Do not put the vacuum close to fire or other high temperature facility.

Do not use or store the machine under extreme bad conditions, for example, extreme temperature. It is recommended to use it indoors between the temperature of 5 °C to 40 °C. Store the machine in dry place and avoid direct sunlight.

Fully charge the battery before first use or after long storage.

Before using the vacuum, make sure brushroll is assembled, otherwise, it may lead to motor fan blockage, causing motor burn out.

Please do not use the vacuum to pick up detergent, oil, glass slag, needle, cigarette ash, wet dust, water, matches, etc.

Please do not use the vacuum to pick up tiny particles such as cement, gypsum powder, wall powder, or large objects such as paper balls, otherwise it will cause malfunctions such as blockage and motor burnout.

Avoid blockage to air inlet or brushroll, it may cause motor failure.

Do not pour or splash water or other liquids into the machine to avoid short circuit to burn out the machine.

If the brushroll is not working, please check whether the brushroll is entangled with hair or other long fiber, clean it in time.

When storing the machine for a long time, ensure that the battery is fully charged before storage and charge the machine at least every three months.

Unplug the charger to clean or repair the machine. Hold the charger when plugging or unplugging it, and do not pull the charging cord.

Use a dry cloth to clean the machine. Liquids like gasoline, alcohol, lacquer thinner will cause crack or colour fading and cannot be used.

If the machine is not working after fully charged, it must be checked and repaired in our designated office, please do not dismantle the machine on your own.

When discard the machine, please press the button to release the battery pack, take out the battery pack, make sure the machine is disconnected with power and handled properly. Do not throw into fire,water or soil.

If the battery liquid leakage touches your skin or clothes, wash it with water, if there is any discomfort, please go to hospital immediately.

Do not use non-original battery pack, avoiding machine damage and safety problems.

Avoid to use the vacuum cleaner to pick up easily blockable things such as: plastic bags, candy paper, big scrap of paper, which might affect the function, even cause failure of working. Please clean the foreign matter on the floor head in time, then it will work normally. The discarded battery pack shall be recycled safely, do not throw away casually.

Trouble Shooting

Please check the following issues before sending to designated repair offices.

Trouble	Possible Causes	Solutions
Motor does not work	Battery has no power	Charge the vacuum cleaner
Motor does not work	Metal tube, floorhead, battery pack and vaccum cleaner is not assembled correctly	Check the accessories are assembled correctly to the vacuum cleaner
Suction drops	Dust cup full	Clean dust cup
Suction drops	Filter blocked	Clean or replace filter
Suction drops	Floorhead air path blocked	Clean floorhead air path
Short working time after charging	Machine not fully charged	Follow instruction manual to fully charge the battery
Short working time after charging	Battery old aging	New batteries can be bought from local distributor

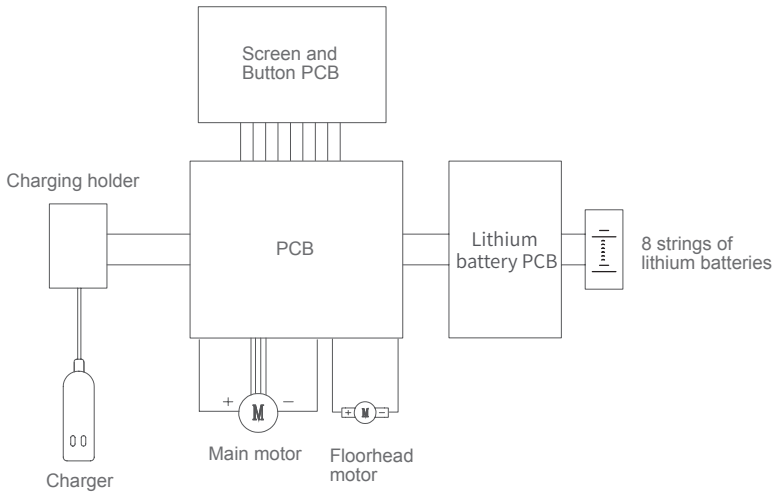
Attention:If any other failures occurred, which need professional tools, in order to avoid danger, the machine must be repaired or replaced by manufacturer, other maintenance offices or professionals from similar offices.

Product Specification

Technical Parameter

Model No	H9 Pro
Rated Voltage	28.8V ---
Rated Power	600W
Adaptor Input Voltage	100-240V \sim 50/60Hz 0.8A
Adaptor Output Voltage	34.2V --- 600mA
Model No of Electric Floor Head	T-EB110J
Rated Power of Electric Floor Head	30W
Battery pack capacity	3000mAh
Charging time	4h-5h

Circuit Diagram



Manufacturer Information

Manufacturer	Kingclean Electric Co., Ltd
Address	No.1 Xiangyang Road, Suzhou New District, Jiangsu Province 215009, China



Disposal

The machine, accessories and packaging should be sorted for environmental-friendly recycling.



Do not dispose of the machine into household waste!

Only for EC countries:

According to the European Guideline 2012/19/EU, machine that are no longer usable, and according to the European Guideline 2006/66/EC, defective or used battery packs/batteries, must be collected separately and disposed of in an environmentally correct manner.

Battery packs/batteries:

Integrated batteries may only be removed for disposal by qualified personnel.

Opening the housing shell can damage or destroy the machine.

Do not dispose of battery packs/batteries into household waste, fire or water. Battery packs/batteries should, if possible, be discharged, collected, recycled or disposed of in an environmental-friendly manner.

Subject to change without notice.

Warranty Information

This product enjoys two years warranty from the date of purchase.

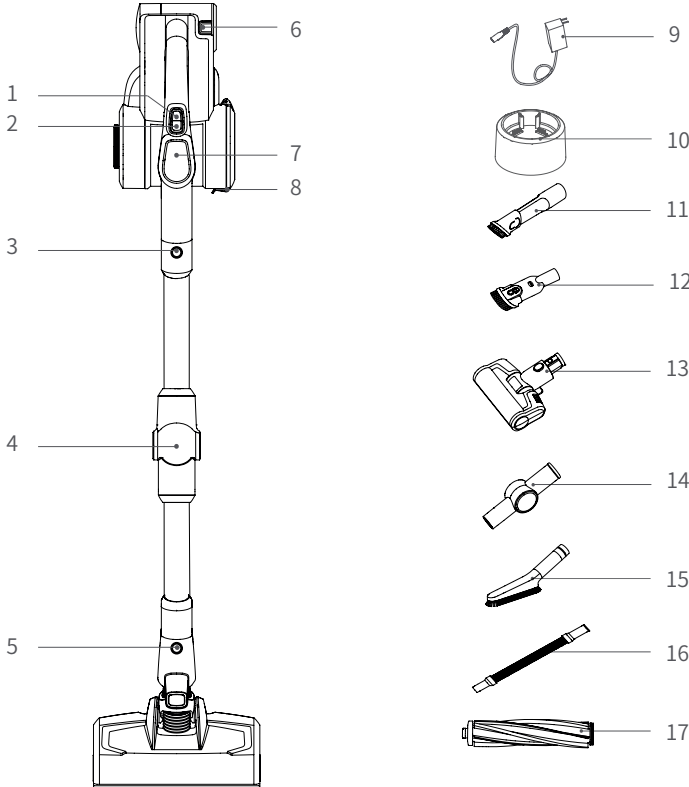
Excluded from the guarantee is normal wear, commercial use, alterations to the appliance as purchased, cleaning activities, consequences of improper use or damage by the purchaser or a third person, damage, that can be attributed to external circumstances or caused by the batteries.

Produkte installieren

Auspacken

Öffnen Sie die Verpackung, entfernen Sie das Schaumstoffkissen und alle Zubehörteile und Daten, nehmen Sie den Staubsauger, nehmen Sie ihn aus dem Beutel und entfernen Sie den Plastikbeutel. Bewahren Sie sie für den zukünftigen Transport auf.

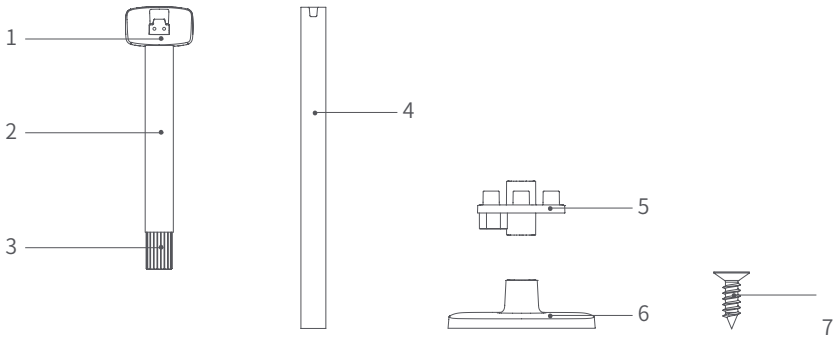
Name der Teile



- | | | |
|--------------------------------|---|---------------------------------------|
| 1. Schaltertaste | 2. Netzschalter | 3. Entriegelungsknopf für Metallrohre |
| 4. Flexibles Metallrohr | 5. Entriegelungsknopf für den Bodenkopf | 6. Batterieentriegelungsknopf |
| 7. LED-Anzeige | 8. Entriegelung des Staubbehälters | 9. Ladegerät |
| 10. Batterieladehalter | 11. 2 in 1 Spaltwerkzeug | 12. 2 in 1 Polsterwerkzeug |
| 13. Elektrischer Matratzenkopf | 14. Anschluss | 15. Weiche Bürste |
| 16. Ausziehbarer Schlauch | 17. Teppichrolle | |

Gebühreninhaber

Name jedes Teils



1. Gebühreninhaber

2. Metallrohr oben

3. Metallrohrhülse

4 Metallrohr unten

5. Zubehörhalter

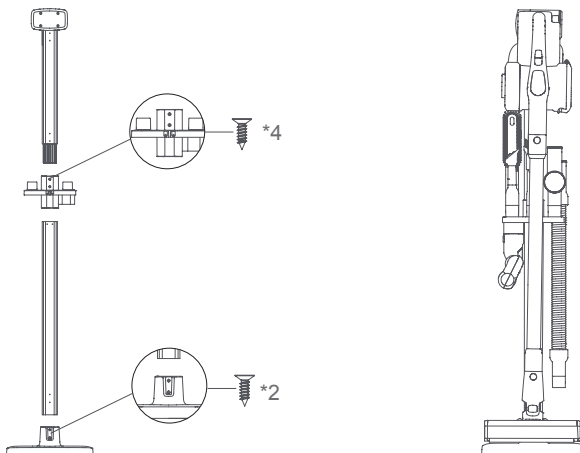
6. Ladeständerbasis

7. Schraube * 6

Montage des Ladeständers

1. Ladensockel auf den Boden legen, Metallrohr tiefer in den Sockel einsetzen und 2 Schrauben befestigen. Montieren Sie den Zubehörhalter am unteren Metallrohr, montieren Sie dann das Metallrohr oben und den Ladehalter und befestigen Sie es mit 4 Schrauben .

2. Der Ladeständer nach dem Zusammenbau mit Maschine und Zubehör ist wie in dargestellt.



Packliste

Name	Handstaubsauger	Elektrischer Bodenkopf	Elektrischer Matratzenkopf	Elektrischer Matratzenkopf	Elektrischer Matratzenkopf
Menge	1	1	1	1	1
Name	Weiche Bürste	Unterstützung laden	Anschluss	Ausziehbarer Schlauch	Flexibles Metallrohr
Menge	1	1	1	1	1
Name	Teppichrolle	Adapter	Schraube	Bedienungsanleitung	Batterieladehalter
Menge	1	1	2	1	1
Name	Zubehörhalter	Metallrohr oben	Metallrohr unten	Ladeständerbasis	
Menge	1	1	1	1	

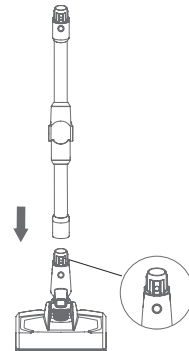
Maschinenmontage

Installation des elektrischen Bodenkopfes und des Metallrohrs

Halten Sie während des Anschlusses die elektrische Bürste mit der linken Hand in die angegebene Richtung, führen Sie das Metallrohr mit der rechten Hand senkrecht in den Kopf des Bodens ein, richten Sie es mit der leitenden Nadel aus und drücken Sie den Griff bis 'ein "Klicken" ist zu hören.

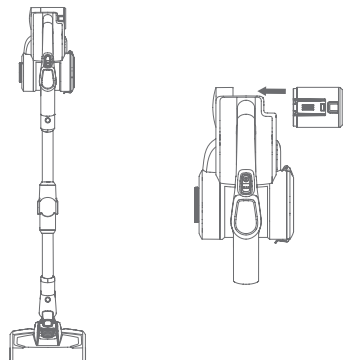
Achtung: Halten Sie den Griff und den Bodenkopf in die gleiche Richtung. Die leitende Nadel muss mit der Fassung ausgerichtet sein.

1



Wenn während des Verpackens, Lagerns oder Reinigens der elektrische Bodenkopf entfernt werden muss, drücken Sie den Bürstenentriegelungsknopf wie in der Abbildung gezeigt und ziehen Sie den elektrischen Bodenkopf in die in der Abbildung gezeigte Richtung.

2

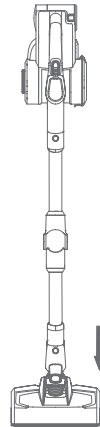


Batteriebaugruppe und Handstaubsauger.

Batteriemontage: Halten Sie den Handstaubsauger in einer Hand, halten Sie die Batterie in der anderen Hand, richten Sie die Führungsnut auf das Gehäuse, schieben Sie die Batterie in Pfeilrichtung (siehe Abbildung) und ziehen Sie dann die Batterie nach der Installation, um sicherzustellen, dass sie sich nicht löst.

Warnung: Wenn der Staubsauger längere Zeit nicht benutzt wird, entfernen Sie den Akku, packen Sie die Maschine ein und lagern Sie sie an einem kühlen und trockenen Ort. Vermeiden Sie direktes Sonnenlicht oder feuchte Umgebung.

3



Installation des Metallrohrs und des Handstaubsaugers

Montieren Sie zuerst den Bodenkopf und das Metallrohr gemäß der Methode zum Zusammenbauen des elektrischen Bodenkopfs und des Metallrohrs.

Montieren Sie den Bodenkopf, das Metallrohr und den Handstaubsauger: Richten Sie die leitfähige Nadel des Metallrohrs wie durch den Pfeil angegeben auf die Kupplung der Saugdüse aus und drücken Sie sie nach oben, bis Ein "Klicken" ist zu hören.

Zubehörbaugruppe

Zur Vereinfachung der Verwendung ist dieses Produkt speziell mit einigen Zubehörteilen für den tragbaren Teil des Staubsaugers ausgestattet. Wenn Sie den Handstaubsauger verwenden, können Sie das Zubehör bei Bedarf direkt oder über den ausziehbaren Schlauch anschließen.

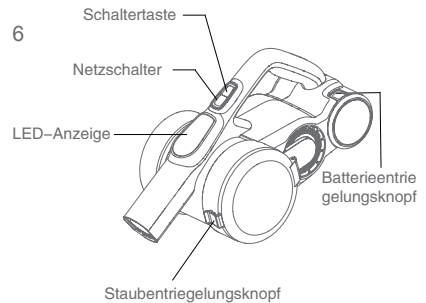
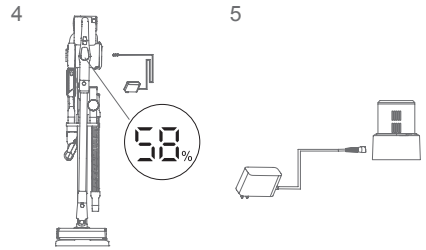
Name	Modell	H9 Pro
Elektrische Matratzenbürste		
2 in 1 Polsterwerkzeug		
2 in 1 Spaltwerkzeug		
Weiche Bürste		
Ausziehbarer Schlauch		
Anschluss		
Teppichrolle		

Vakuumladung

Wenn die Leistung des Staubsaugers nicht ausreicht, laden Sie den Staubsauger rechtzeitig auf. Wenn die Spannung zu niedrig ist, sollte sie die Batterie schützen, der Staubsauger schaltet sich automatisch aus, der Staubsauger sollte zu diesem Zeitpunkt aufgeladen werden. Stecken Sie beim Laden den Ladestecker in die Steckdose der Klimaanlage. Hängen Sie den Handstaubsauger zum Laden an die Halterung. Wenn die LED-Anzeige des Handstaubsaugers eine Leistungssteigerung anzeigt, zeigt dies an, dass der Staubsauger aufgeladen wird. Sobald der Ladevorgang abgeschlossen ist, zeigt der LED-Bildschirm 100% Leistung an.

Ziehen Sie nach dem Aufladen den Ladestecker aus der Steckdose und beenden Sie den Ladevorgang.

Attention: si la ligne d'alimentation est endommagée, il doit être remplacé par un professionnel du fabricant, un réparateur ou un service similaire pour éviter un danger.

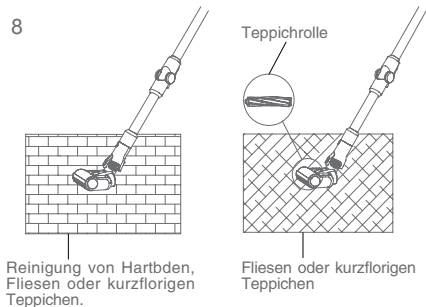
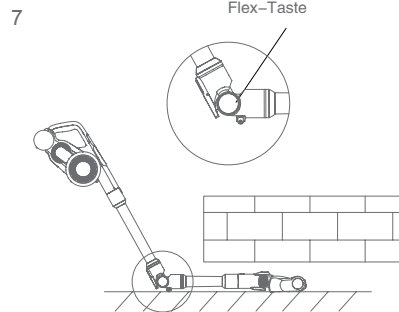


Verwenden des Handstaubsaugers

Nehmen Sie den Staubsauger aus der Halterung und drücken Sie den Schalter am Griff, um den Staubsauger zu starten oder zu stoppen. Wenn die Maschine eingeschaltet ist, befindet sich der Betrieb im normalen Betriebsmodus. Drücken Sie den Netzschalter, um in den Turbomodus oder die maximale Leistung zu wechseln.

Verwendung eines flexiblen Metallrohrs

Das flexible Metallrohr hat zwei Modi: vertikal und flexibel. Der vertikale Modus entspricht dem normalen Metallrohr. Der Biegemodus kann zum Reinigen des Bodens des Tisches, des Bodens des Bettes usw. verwendet werden. Wenn der Biegemodus verwendet wird, drücken Sie die Biegetaste wie in der folgenden Abbildung gezeigt, und das Metallrohr kann einen Biegewinkel von 0 bis 90 ° erreichen.



Verwendung dem elektrischen Bodenkopf
Reinigen Sie harte Böden, Fliesen oder Teppiche mit dem elektrischen Bodenkopf. Die Teppichbürste kann beim Reinigen des langflorigen Teppichs durch den Bodenkopf ersetzt werden.

Hinweis: Was ist der Verriegelungsschutz der Rollbürste?

Wenn während des Betriebs des elektrischen Bodenkopfes ein großes Volumen an eingeatmetem Fremdkörper oder zu viel Faser vorhanden ist oder sogar ein Kind in der Maschine versehentlich seine Hand in die Düse gesteckt hat, führt dies zu einem abnormalen Stopp des Kopfes Walze, der elektrische Bodenkopf funktioniert nicht mehr, um die persönliche Sicherheit und den Bürstenmotor zu schützen.

Verwendung von Zubehör

2-in-1-Spaltwerkzeug: Zum Reinigen von Spaltecken, Türen oder Fenstern und anderen engen Räumen verfügbar.

2-in-1-Polsterwerkzeug: Zur Reinigung von Schrank, Fensterbank, Sofa und Tischplatte erhältlich.

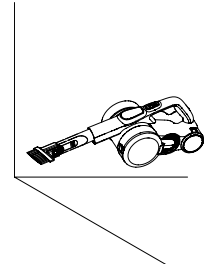
Weiche Bürste: zur Reinigung verfügbar
Möbel, die abgekratzt werden sollen, wie das Regal, Kunsthandwerk usw.

Ausziehbarer Schlauch: Der ausziehbare Schlauch ist für die Reinigung schwer zugänglicher Stellen erhältlich.

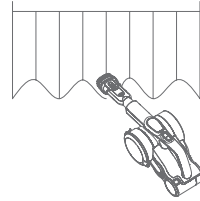
Elektrischer Matratzenkopf: Erhältlich für das Sofa und die Matratzen, die Bürstenrolle und reinigt dann Staubmilben und Allergene vom Sofa oder Tiefbett.

Anschluss: Er kann an andere Werkzeuge angeschlossen und in verschiedenen Winkeln gebogen werden, um Staub auf hohen Schränken oder Staub auf dem Dach zu entfernen.

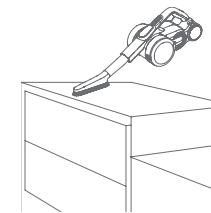
9



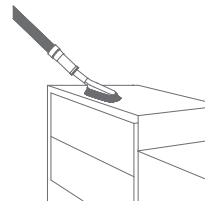
10



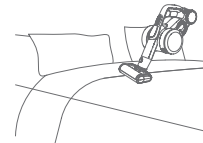
11



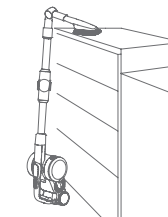
12



13



14

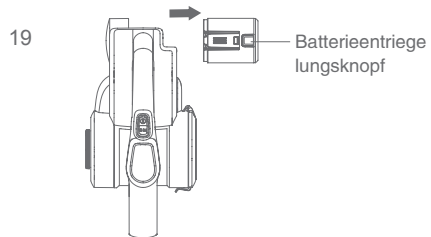
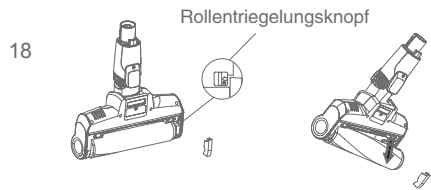
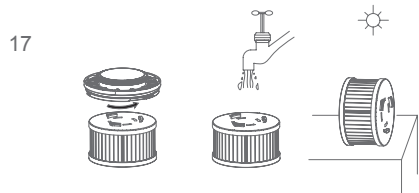
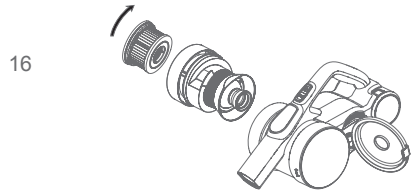
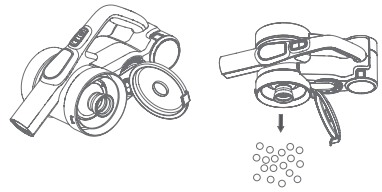


Teilereinigung und Austausch

1. Der HEPA-Filter ist bei örtlichen Vakuumbändlern erhältlich.
2. Es wird empfohlen, den Staubbehälter nach jedem Gebrauch zu reinigen. Wenn der Staubbehälter voll ist oder der HEPA-Filter verstopft ist, muss er gereinigt und gegebenenfalls ersetzt werden. Die elektrische Bodenbürste kann sich nach langem Gebrauch mit dem Haar verheddern. Sie sollte rechtzeitig gereinigt werden, damit die Operation effizienter wird.

Staubbehälter und Filtersystem

1. Drücken Sie auf die untere Abdeckung des Staubbehälters, öffnen Sie den Staubbehälter und füllen Sie den Staub in den Behälter.
2. Halten Sie die HEPA-Abdeckung fest und drehen Sie sie gegen den Uhrzeigersinn. Entfernen Sie die HEPA-Baugruppe zum Reinigen vom Handstaubsauger.
3. Halten Sie die Oberseite der Zyklonbaugruppe fest und drehen Sie sie gegen den Uhrzeigersinn. Entfernen Sie die Zyklonbaugruppe zur Reinigung vom Handstaubsauger.
4. Wenn der HEPA gewaschen werden soll, halten Sie den HEPA fest und drehen Sie ihn im Uhrzeigersinn. Entfernen Sie ihn zum Waschen von der HEPA-Abdeckung. HEPA muss vor der Wiederverwendung vollständig trocken sein.
5. Nehmen Sie die Teile nach der Reinigung in umgekehrter Reihenfolge wieder zusammen.



Bürstenwalze reinigen

- (1) Bewegen Sie den Rollentriegelungsknopf in Pfeilrichtung und entfernen Sie die Seitenabdeckung.
- (2) Entfernen Sie ein Ende der Walze und nehmen Sie es aus der Reinigungsdüse.
- (3) Nachdem Sie die Bürstenwalze gereinigt oder ausgetauscht haben, bauen Sie sie in umgekehrter Reihenfolge wieder zusammen, um sie zu zerlegen.

Lagerung des Staubsaugers

Batterie entfernen

Drücken Sie die Batterieentriegelungstaste, entfernen Sie die Batterie in Pfeilrichtung, legen Sie die Batterie in eine Plastiktüte und legen Sie sie an einen trockenen Ort.

Hauptkörperlagerung

Wenn der Staubsauger längere Zeit nicht benutzt wird, entfernen Sie den Akku, packen Sie die Maschine ein und lagern Sie sie an einem kühlen, trockenen Ort. Setzen Sie sie keinem direkten Sonnenlicht oder einer feuchten Umgebung aus.

Vorsichtsmaßnahmen

Dieser Staubsauger ist für den Heimgebrauch bestimmt und darf nicht für kommerzielle oder andere Zwecke verwendet werden.

Bitte lesen Sie diese Bedienungsanleitung sorgfältig durch, bevor Sie das Gerät verwenden, und bewahren Sie sie zum späteren Nachschlagen auf.

Bitte lassen Sie den Staubsauger nicht zu nahe an Feuerquellen und anderen Orten mit hohen Temperaturen.

Bitte benutzen und lagern Sie das Gerät nicht unter extremen widrigen Bedingungen, zum Beispiel extreme Temperatur, nicht in Umgebungen verwenden, in denen die Temperatur unter 5 Grad oder über 40 Grad liegt, Bitte kühl und trocken lagern, nicht längere Zeit der Sonne aussetzen.

Bevor Sie einen neuen Akku verwenden oder den Akku zum ersten Mal nach einer längeren Lagerung verwenden, laden Sie den Akku vollständig auf.

Bevor Sie den Staubsauger benutzen, achten Sie bitte auf die Walzenbürste mit der installierten Bodenbürste, da sonst der Motor blockiert und der Motor verbrannt werden kann.

Verwenden Sie keinen Staubsauger, um Reinigungsmittel, Kerosin, Glasschlacke, Nadeln, Ruß, feuchten Staub, Abwasser, Streichhölzer usw. zu saugen.

Verwenden Sie keinen Staubsauger, um winzige Partikel wie Zement, Gipspulver und Wandpulver zu saugen oder größere Gegenstände wie Spielzeug und Papierkugeln, da sonst der Staubsauger blockiert und der Motor verbrannt werden kann.

Achten Sie bei der Verwendung des Staubsaugers darauf, die Ansaugöffnung und die Walzenbürste nicht zu blockieren, da sonst möglicherweise eine Störung des Motors auftritt.

Wenn Sie den Staubsauger benutzen, sollten Sie die Glieder nicht in die Ansaugöffnung der Bodenbürste stecken, da dies zu Verletzungen führen kann.

Gießen oder spritzen Sie kein Wasser oder andere Flüssigkeiten in die Maschine, um einen Kurzschluss der Maschine zu vermeiden.

Wenn sich die Walzenbürste während des Gebrauchs nicht dreht, prüfen Sie, ob die Walzenbürste mit Haaren oder anderen langen Fasern gewickelt ist, und reinigen Sie sie rechtzeitig.

Wenn dieses Gerät bei längerer Lagerung nicht verwendet wird, bitte stellen Sie sicher, dass der Akku vollständig geladen ist und mindestens alle drei Monate geladen und entladen wird.

Please do not use the vacuum to pick up detergent, oil, glass slag, needle, cigarette ash, wet dust, water, matches, etc.

Wenn Ihr Staubsauger voll aufgeladen ist, gereinigt oder repariert werden muss, ziehen Sie bitte rechtzeitig den Stecker aus der Steckdose. Halten Sie den Stecker des Ladegeräts fest, wenn Sie das Netzkabel einstecken oder ziehen, ziehen Sie nicht am Kabel.

Verwenden Sie zum Reinigen des Staubsaugers ein trockenes Tuch, kein Benzin, Alkohol, Bananenwasser usw., andernfalls kann das Gehäuse rissig oder vergilbt sein.

Wenn die gesamte Maschine voll aufgeladen ist und nicht funktioniert, muss an der dafür vorgesehenen Servicestelle überprüft und repariert werden. Zerlegen Sie die Maschine nicht.

Die Abfallmaschine enthält eine Batterie, sollte sicher recycelt werden, entsorgen Sie es nicht nach Belieben.

Wenn das Netzkabel beschädigt ist, muss es vom Hersteller, seiner Reparaturabteilung oder einer ähnlichen Abteilung ausgetauscht und repariert werden, um Gefahren zu vermeiden.

Fehlerbehebung

Überprüfen Sie die folgenden Probleme, bevor Sie sie an einen autorisierten Reparaturbetrieb senden.

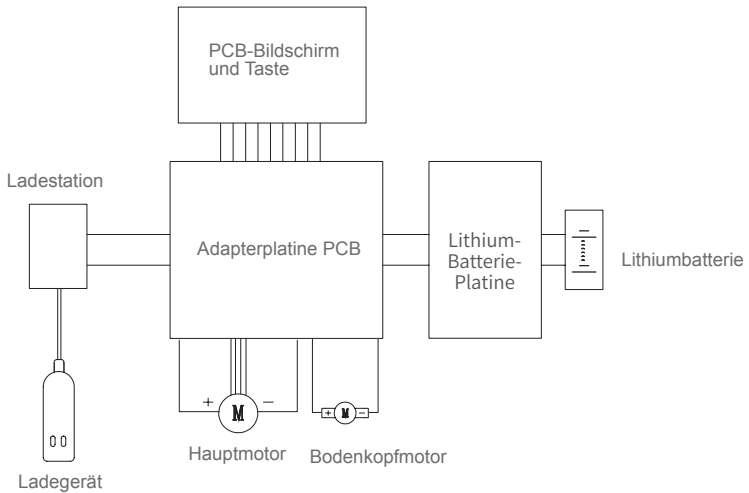
Aufschlüsselung	Mögliche Ursachen	Lösungen
Der Motor funktioniert nicht	Die Batterie ist nicht mit Strom versorgt	Laden Sie den Staubsauger auf
Der Motor funktioniert nicht	Das Metallrohr, der Bodenkopf, die Batterie und der Staubsauger sind nicht richtig zusammengebaut	Das Metallrohr, der Bodenkopf, die Batterie und der Staubsauger sind nicht richtig zusammengebaut
Geringe Saugkraft	Der Staubbehälter ist voll	Schließen Sie den Staubbehälter
Geringe Saugkraft	Der Filter ist blockiert	Reinigen oder ersetzen Sie den Filter
Geringe Saugkraft	Der Luftplatinenkopf ist blockiert	Reinigen Sie den Platinenkopf
Kurze Arbeitszeit nach dem Laden	Das Gerät ist nicht voll aufgeladen	Befolgen Sie die Bedienungsanleitung, um den Akku vollständig aufzuladen
Kurze Arbeitszeit nach dem Laden	Alterung der Batterie	Neue Batterien können bei einem örtlichen Händler gekauft werden

Warnung: Wenn andere Fehler vorliegen, müssen Spezialwerkzeuge verwendet werden, um Gefahren zu vermeiden, und sie müssen von Fachleuten des Herstellers, Reparaturbetriebs oder eines ähnlichen Service repariert werden.

Technischer Parameter

Modellnummer	H9 Pro
Nennspannung	28.8V $\overline{=}$
Nennleistung	600W
Adapter Eingangsspannung	100-240V \sim 50/60Hz 0.8A
Adaptorausgangsspannung	34.2V $\overline{=}$ 600mA
Modellnummer des Bodenkopfes	T-EB110J
Nennleistung des Bodenkopfes	30W
Kapazität des Akkus	3000mAh
Ladezeit	4h-5h

Circuit Diagram



Herstellerinformationen

Hersteller	Kingclean Electric Co., Ltd
Adresse	No.1 Xiangyang Road, Suzhou New District, Jiangsu Province 215009, China



Entsorgung

Maschine, Zubehör und Verpackung sollten auf umweltfreundliche Weise recycelt werden.



Bitte entsorgen Sie diese Maschine nicht im Hausmüll!

Nur für EU-Länder:

Gemäß der EU-Richtlinie 2012/19/EU müssen nicht mehr gebrauchsfähige Gerät und gemäß EU-Richtlinie 2006/66/EG müssen defekte oder verbrauchte Akkus/Batterien getrennt gesammelt und auf umweltfreundliche Weise entsorgt werden.

Akkupakete/Akkus:

Entnahme von integrierten Akkus für Entsorgung darf nur von qualifiziertem Personal durchgeführt werden.

Öffnen der Gehäuseschale kann die Maschine beschädigen oder zerstören.

Bitte entsorgen Sie die Akkupakete/Akkus nicht im Hausmüll, Feuer oder Wasser! Die Akkus sollten möglicherweise entlädt, versammelt, recycelt werden oder auf umweltfreundliche Weise entsorgt werden.

Änderungen vorbehalten.

Garantie

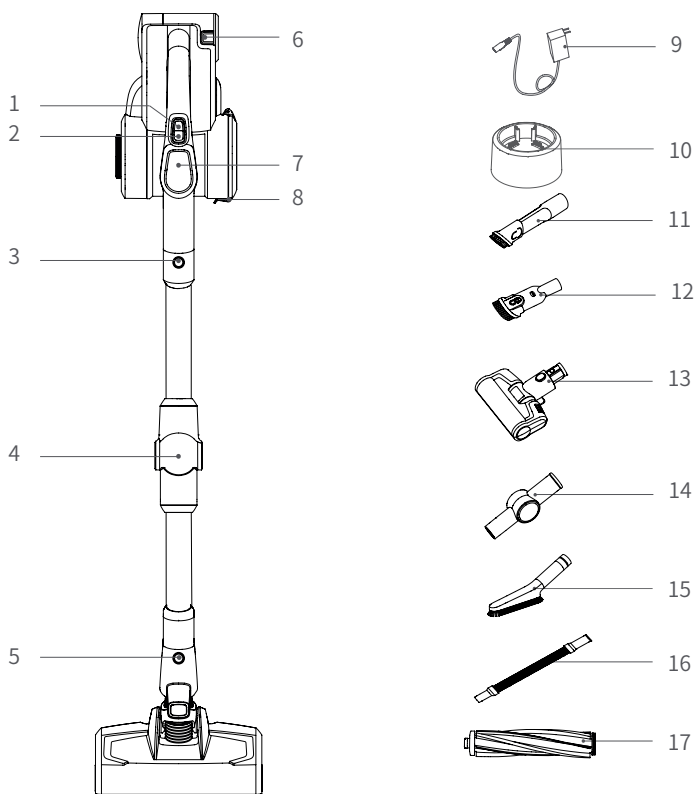
Dieses Produkt genießt eine Zwei Jahre Garantie für die Maschine ab Kaufdatum.

Von der Garantie sind ausgenommen: normale Abnutzung, kommerzielle Nutzung, Änderungen an dem gekauften Apparat, Reinigung, Konsequenzen von unsachgemäßen Verwendungen oder Schäden vom Käufer oder dritte Partei, und die sich auf äußerer Umstände beziehbare oder die von den Akkus verursachte Schäden.

Desembalaje

Abra el paquete, saque la almohadilla de espuma, todos los accesorios y la máquina del paquete, saque la bolsa de plástico y guárdela para futuras reparaciones y mantenimiento.

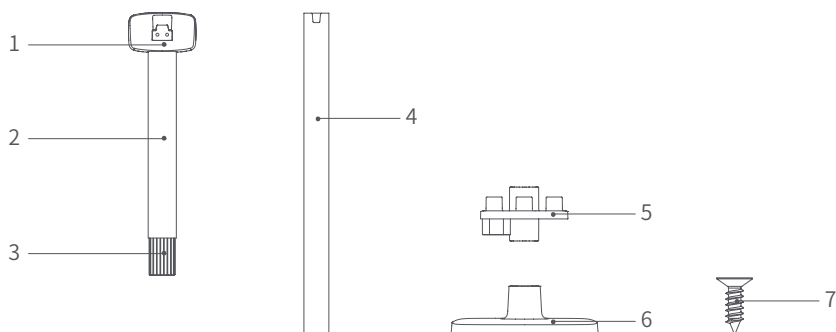
Nombres de las Partes



- | | | |
|----------------------------------|---|--|
| 1. Botón de interruptor | 2. Botón de encendido | 3. Botón de liberación del tubo de metal |
| 4. Tubo de metal flexible | 5. Botón de liberación de la cabeza del piso | 6. Botón de liberación de la batería |
| 7. Pantalla LED | 8. Pestillo de liberación de la copa de polvo | 9. Cargador |
| 10. Titular de carga | 11. Aspiración plana 2 en 1 | 12. Herramienta de tapicería 2 en 1 |
| 13. Cabezal de colchón eléctrico | 14. Conector | 15. Cepillo suave |
| 16. Manguera de estiramiento | 17. Desplazamiento de alfombra | |

Soporte de carga

Nombre de cada parte



1.Soporte de carga

2.Parte superior de tubo de metal

3.Manga de tubo de metal

4 .Metal tube sleeve

5. Tubo de metal inferior

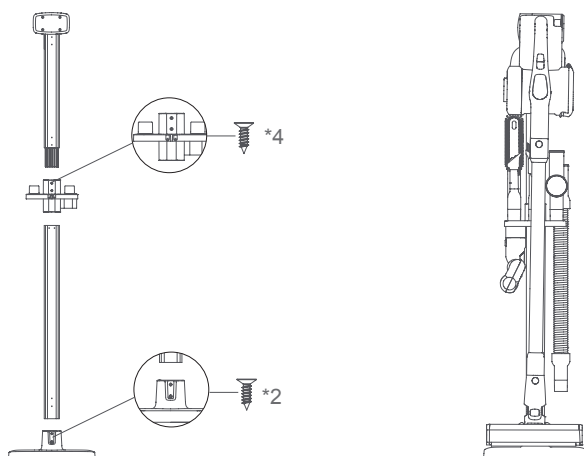
6.Base del soporte de carga

7.Tornillo * 6

Montaje de soporte de carga

1.Coloque la base del soporte de carga en el piso, inserte el tubo de metal más bajo en la base y fije 2 tornillos. Monte el soporte de accesorios en la parte inferior del tubo de metal, luego ensamble la parte superior del tubo de metal y el soporte de carga, fjelo con 4 tornillos .

2.El soporte de carga después del ensamblaje con la máquina y los accesorios es como se muestra .



Lista de empaque

Nombre	Aspiradora de mano	Cabeza de piso eléctrico	Cabezal de colchón eléctrico	Herramienta de tapicería 2 en 1	Aspiración plana 2 en 1
Cantidad	1	1	1	1	1
Nombre	Cepillo suave	Titular de carga	Conector	Manguera de estiramiento	Tubo de metal flexible
Cantidad	1	1	1	1	1
Nombre	Desplazamiento de alfombra	Adaptador	Tornillo	Instrucciones del Manual	Soporte de carga de batería
Cantidad	1	1	2	1	1
Nombre	Soporte de accesorios	Parte superior de tubo de metal	Tubo de metal inferior	Base del soporte de carga	
Cantidad	1	1	1	1	

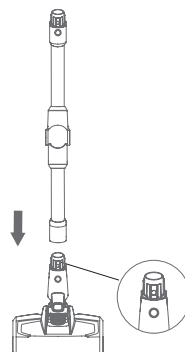
Montaje de la Máquina

Montaje el cabezal eléctrico del piso y el tubo de metal

Al conectar, sostenga el cepillo eléctrico con la mano izquierda en la dirección que se muestra, use la mano derecha para insertar el tubo de metal verticalmente en la cabeza del piso, alinee con la aguja conductora, presione el mango hasta que escuche un "clic".

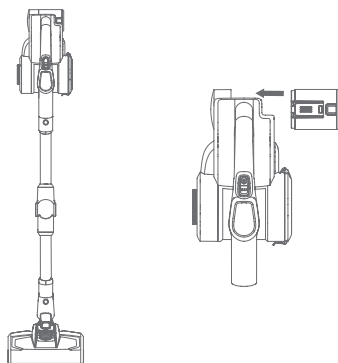
Atención: Mantener el mango y la cabeza del piso en la misma dirección, la aguja conductora debe alinearse con el zócalo.

1



Al empaquetar, almacenar o limpiar, si es necesario quitar el cabezal eléctrico del piso, presione el botón de liberación del cepillo como se muestra en la imagen y tire del cabezal eléctrico del piso en la dirección que se muestra en la imagen.

2

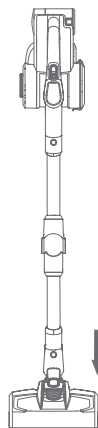


Montaje de la batería y la aspiradora de mano

Montaje de la batería: sostenga la aspiradora de mano con una mano, sostenga la batería con la otra mano, apunte a la ranura guía en el cuerpo, deslice la batería de acuerdo con la dirección de la flecha que se muestra en la imagen y luego tire de la batería después de la instalación para asegurarse de que no se suelte.

Atención: cuando la aspiradora esté inactiva durante mucho tiempo, retire la batería, empaque la máquina y guárdela en un lugar fresco y seco, evite la luz solar directa o un ambiente húmedo.

3



Montaje del tubo de metal y aspiradora de mano

Primero, ensamble la cabeza del piso y el tubo de metal de acuerdo con el método de ensamblar la cabeza del piso eléctrico y el tubo de metal.

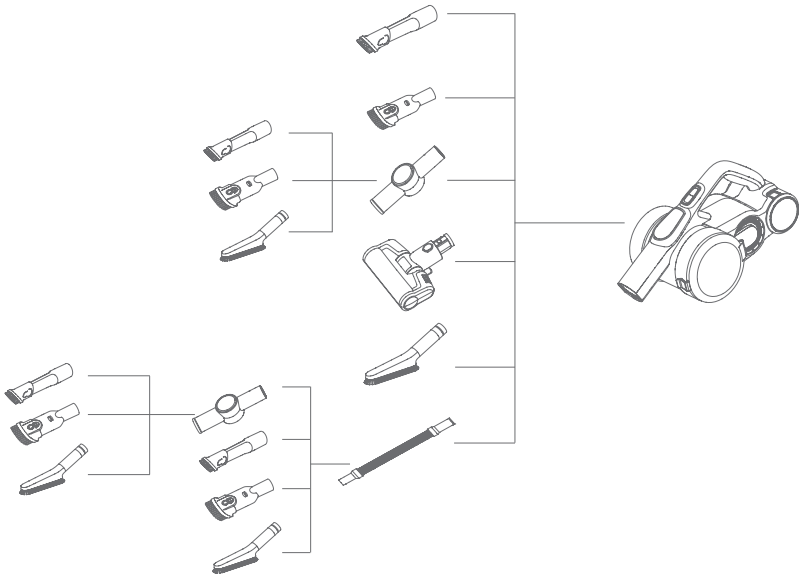
Ensamble la cabeza del piso, el tubo de metal y la aspiradora de mano: como lo muestra la flecha, alinee la aguja conductora del tubo de metal con el acoplador de la boquilla de succión, empuje hacia arriba hasta que escuche un "clic".

Montaje de accesorios

Para mayor comodidad de uso, este producto está especialmente equipado con algunos accesorios para la parte portátil de la aspiradora. Cuando usa solo la aspiradora de mano, puede conectar directamente los accesorios según sus necesidades o conectar los accesorios a través de la manguera elástica.

Nombre	Modelo	H9 Pro
Cepillo de colchón eléctrico		
Herramienta de tapicería 2 en 1		
Aspiración plana 2 en 1		
Cepillo suave		
Manguera de estiramiento		
Ausziehbarer Schlauch		
Desplazamiento de alfombra		

Detalles de conexiones de los accesorios



Uso de Aspiradora

Nota: Cuando use este producto por primera vez, la capacidad de la batería de la aspiradora puede no estar llena. Debe cargar la aspiradora y usarla después de que esté completamente cargada.

Montaje del soporte de carga

Método de montaje uno: coloque la aspiradora en el soporte, y apoye la aspiradora contra la pared, coloque el soporte en la posición que el cabezal del piso de la aspiradora no toque el suelo. Retire la aspiradora de mano, siga la Figura 4 para colocar el tubo de expansión en la pared y siga la Figura 5 para colocar el soporte en la posición del tubo de expansión, y asegure el tornillo. Después de completar el ensamblaje, coloque la aspiradora en el soporte del cargador para cargar o almacenar.

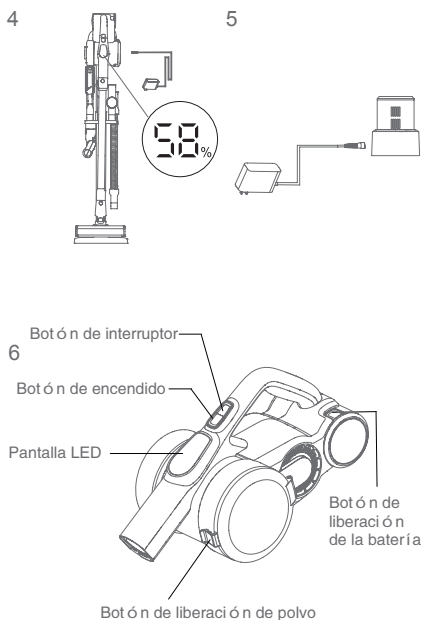
Atención: no fije el soporte al baño u otra pared húmeda.

Carga de la aspiradora

Cuando la potencia de la aspiradora sea insuficiente, cárguela a tiempo; Cuando el voltaje es demasiado bajo, para proteger la batería, la aspiradora se apagará automáticamente, en este momento es necesario cargar la aspiradora. Al cargar, conecte el conector del cargador a la toma de corriente de A / C, cuelgue la aspiradora de mano en el soporte para comenzar a cargar. Cuando la pantalla LED de la aspiradora de mano muestra un aumento de potencia, indica que la aspiradora se está cargando. Cuando se completa la carga, la pantalla LED muestra el 100% de potencia.

Después de cargar, desconecte el enchufe del cargador y deje de cargar.

Atención: si el cable de alimentación está dañado, para evitar peligros, debe ser reemplazado por personal profesional del fabricante, agente de reparación o departamento similar.

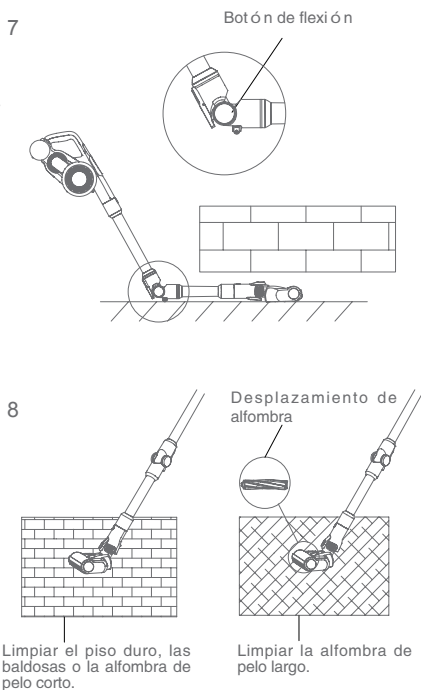


Uso de la aspiradora de mano

Retirar la aspiradora del soporte, presione el botón del interruptor en el mango para encender o apagar la aspiradora. Cuando la máquina está encendida, funciona en modo de potencia normal, presione el botón de encendido para cambiar al modo turbo o de potencia máxima.

Uso de tubo de metal flexible

El tubo de metal flexible tiene dos modos: vertical y doblado. El modo vertical es equivalente al tubo de metal normal. El modo de doblado se puede usar para limpiar debajo del fondo de la mesa, el fondo de la cama, etc. Cuando se necesita el modo de doblado, presione el botón de doblado como se muestra en la siguiente figura, y el tubo de metal puede alcanzar un ángulo de doblado de 0-90 °



Uso de la cabeza del piso eléctrico

Limpie el piso duro, el azulejo o la alfombra con el cabezal eléctrico del piso. El cepillo de alfombra se puede reemplazar al cabezal del piso para limpiar la alfombra de cabello largo.

Nota: ¿cuál es la protección de bloqueo del cepillo rodante? Durante el funcionamiento del cabezal eléctrico del piso, si hay un gran volumen de material extraño inhalado o demasiada herida de fibra, o incluso un niño que juega en la máquina coloca la mano en la boquilla por error, lo que provoca la detención anormal del rodillo de cepillo, el cabezal eléctrico dejará de funcionar para proteger la seguridad personal y el motor del cepillo.

Uso de accesorios.

Herramienta para grietas 2 en 1: adecuada para limpiar grietas, esquinas de puertas o ventanas y otros espacios estrechos.

Herramienta de tapicería 2 en 1: adecuada para limpiar el armario, el alféizar de la ventana, el sofá y la superficie de la mesa.

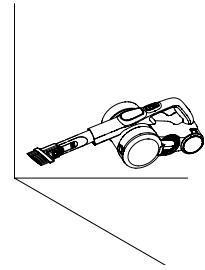
Cepillo suave: adecuado para limpiar muebles fáciles de rayar como estanterías, artesanías, etc.

Manguera de estiramiento: la manguera de estiramiento es adecuada para limpiar áreas de difícil acceso.

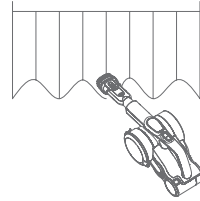
Cabezal de colchón eléctrico: adecuado para sofá y colchón. La maleza golpea y luego limpia el ácaro del polvo y el alérgeno del sofá o la cama.

Conector: se puede conectar a otras herramientas y doblar en un ángulo diferente para limpiar el polvo en la parte superior de los gabinetes altos o el polvo en el techo.

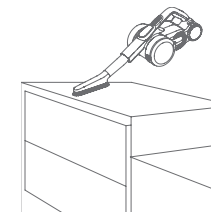
9



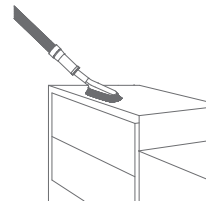
10



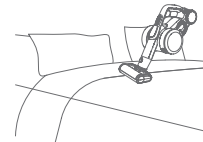
11



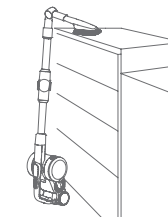
12



13

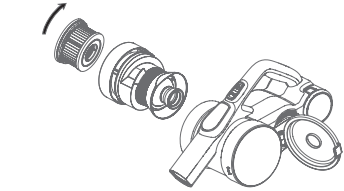
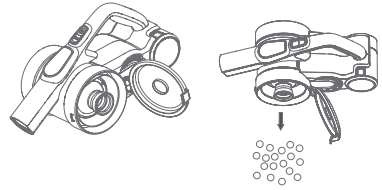


14



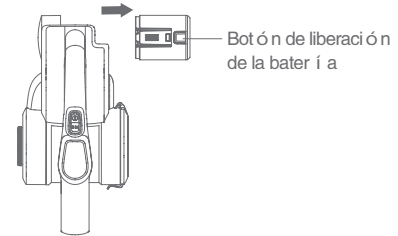
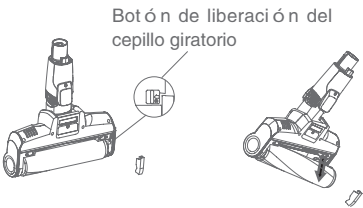
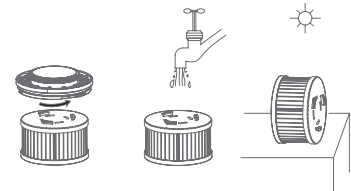
Limpio y Reemplazo de las Partes

1. El filtro HEPA está disponible para la venta en distribuidores locales de aspiradoras. 15
2. Se recomienda limpiar la copa de polvo después de cada uso; Cuando el depósito de polvo está lleno o el filtro HEPA está obstruido, debe limpiarse y reemplazarse si es necesario. El cepillo eléctrico del cabezal del piso puede enredarse con el cabello después de un uso prolongado. Debe limpiarse a tiempo para que la aspiradora funcione de manera más eficiente. 16



Limpia la copa de polvo y sistema de filtración

1. Presionar hacia abajo la cubierta inferior del recipiente para polvo, abrir el recipiente para polvo y verter el polvo en el bote de basura. 17
2. Sujetar la tapa HEPA y gire en sentido antihorario, retire el conjunto HEPA de la aspiradora de mano para limpiarlo.
3. Sujete la parte superior del conjunto de ciclón y gire en sentido antihorario, retire el conjunto de ciclón de la aspiradora de mano para limpiarlo.
4. Si HEPA necesita lavarse, sostenga el HEPA y gírelo en sentido horario, retírelo de la tapa HEPA para lavarlo. HEPA necesita estar completamente seco antes de reutilizarlo.
5. Después de la limpieza, vuelva a armar las piezas en la secuencia opuesta de desmontaje. 18



Limpio de brocha

1. Mover el botón de liberación del cepillo giratorio a lo largo de la dirección de la flecha, retirar la cubierta lateral.
2. Retirar un extremo del rodillo de cepillo y sacar lo de la boquilla para limpiarlo.
3. Después de limpiar o reemplazar el cepillo giratorio, volver a ensamblarlo en la secuencia opuesta de desmontaje.

Almacenamiento de la Aspiradora

Desmontaje de la batería

Presionar el botón de liberación de la batería, retirar la batería en la dirección de la flecha y colocar la batería en una bolsa de plástico, luego guardar la en un lugar seco.

Almacenamiento del cuerpo principal

Cuando la aspiradora esté inactiva durante mucho tiempo, retire la batería, empaque la máquina y guárdela en un lugar fresco y seco, no la exponga a la luz solar directa ni a un ambiente húmedo.

Precauciones de Seguridad

Esta aspiradora está diseñada para uso doméstico. No lo utilice para fines comerciales o de otro tipo.

Lea detenidamente este manual de instrucciones antes de usarlo, guárdelo y guárdelo adecuadamente para usarlo en el futuro.

No ponga la aspiradora cerca del fuego u otras instalaciones a altas temperaturas.

No utilice ni almacene la máquina en condiciones extremas, por ejemplo, temperaturas extremas. Se recomienda utilizarlo en interiores a una temperatura de 5 a 40°C. Guarde la máquina en un lugar seco y evite la luz solar directa.

Cargue completamente la batería antes del primer uso o después de un almacenamiento prolongado

Antes de usar la aspiradora, asegúrese de que el cepillo giratorio esté ensamblado, de lo contrario, podría ocasionar el bloqueo del ventilador del motor, causando que el motor se apague.

No utilice la aspiradora para recoger detergente, aceite, escoria de vidrio, aguja, ceniza de cigarrillo, polvo húmedo, agua, fósforos, etc.

No utilice la aspiradora para recoger partículas pequeñas como cemento, polvo de yeso, polvo de pared u objetos grandes como bolas de papel, de lo contrario, podrían producirse fallos de funcionamiento, como el bloqueo y el desgaste del motor.

Evite la obstrucción de la entrada de aire o del cepillo, ya que podría ocasionar fallas en el motor.

No ponga la mano o el pie en la entrada del cabezal para evitar lesiones corporales.

No vierta ni salpique agua u otros líquidos en la máquina para evitar cortocircuitos y quemar la máquina.

Si el cepillo no funciona, compruebe si el cepillo está enredado con pelo u otra fibra larga, límpiolo a tiempo.

Cuando almacene la máquina durante mucho tiempo, asegúrese de que la batería esté completamente cargada antes de guardarla y cárguela al menos cada tres meses.

Desenchufe el cargador para limpiar o reparar la máquina. Sostenga el cargador al enchufarlo o desenchufarlo, y no tire del cable de carga.

Use un paño seco para limpiar la máquina. Líquidos como la gasolina, el alcohol, el diluyente de laca causarán grietas o decoloración del color y no se pueden usar.

Si la máquina no está funcionando después de cargarla por completo, debe revisarla y repararla en nuestra oficina designada, no desmonte la máquina por su cuenta.

La máquina desechada contiene baterías. Deben ser reciclados de forma segura. No los deseche al azar.

Si hay daños en el cable de alimentación, para evitar peligros, debe ser reemplazado o reparado por la agencia de reparación o por una persona profesional.

Solución de problemas

Verificar los siguientes problemas antes de enviarlo al agente de reparación designado.

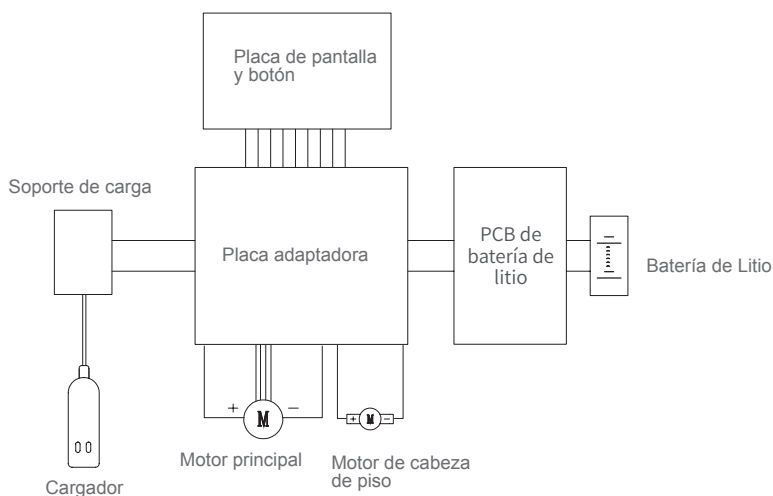
Problemas	Causos Posibles	Soluciones
El motor no funciona	La batería no tiene energía	Cargar la aspiradora
El motor no funciona	El tubo de metal, el cabezal del piso, la batería y la aspiradora no están ensamblados correctamente.	Verificar que los accesorios estén ensamblados correctamente en la aspiradora.
Gotas de succión	Copa de polvo llena	Limpiar la copa de polvo
Gotas de succión	El filtro está cubierto de polvo	Limpiar o reemplazar el filtro
Gotas de succión	Ruta de aire de la cabeza del piso bloqueada	Limpiar el Cepillo eléctrico limpio
Corto tiempo de trabajo después de cargar	La máquina no está completamente cargada	Siga el manual de instrucciones para cargar completamente la batería.
Corto tiempo de trabajo después de cargar	Batería envejecida	Poder comprar baterías nuevas del distribuidor local

Atención: si hay otras fallas se necesitan herramientas especiales, para evitar peligros, deben ser reparadas por profesionales del fabricante, agente de reparación o agente similar.

Parámetros Técnicos

Modelo No	H9 Pro
Voltaje Nominal	28.8V $\overline{=}$
Podencia Nominal	600W
Voltaje de entrada del adaptador	100-240V \sim 50/60Hz 0.8A
Voltaje de salida del adaptador	34.2V $\overline{=}$ 600mA
Modelo No. de la cabeza de piso eléctrico	T-EB110J
Podencia nominal de la cabeza de piso eléctrico	30W
Capacidad de la batería	3000mAh
Tiempo de carga	4h-5h

Diagrama de circuito



Información del fabricante

Fabricante	Kingclean Electric Co., Ltd
Dirección	No.1 Calle Xiangyang, Distrito Nuevo Suzhou, Provincia de Jiangsu 215009, China



Desechado

La máquina, los accesorios y el embalaje deben clasificarse para un reciclaje respetuoso con el medio ambiente.



No deseche la máquina en la basura doméstica!

Solo para países de la EC:

De acuerdo con la Guía Europea 2012/19 / UE, las máquinas que ya no son utilizables, y de acuerdo con la Guía Europea 2006/66 / CE, las baterías / paquetes defectuosos o usados, deben recolectarse por separado y desecharse de manera ambientalmente correcta .

Paquetes de baterías / baterías:

Las baterías integradas solo pueden ser retiradas para su eliminación por personal calificado. Abrir la carcasa de la carcasa puede dañar o destruir la máquina.

No deseche los paquetes de baterías / baterías en la basura doméstica, fuego o agua. Los paquetes de baterías / baterías deben, si es posible, descargarse, recolectarse, reciclarse o desecharse de manera respetuosa con el medio ambiente.

¡Sujeto a cambios sin previo aviso.

Informaciones de garantía

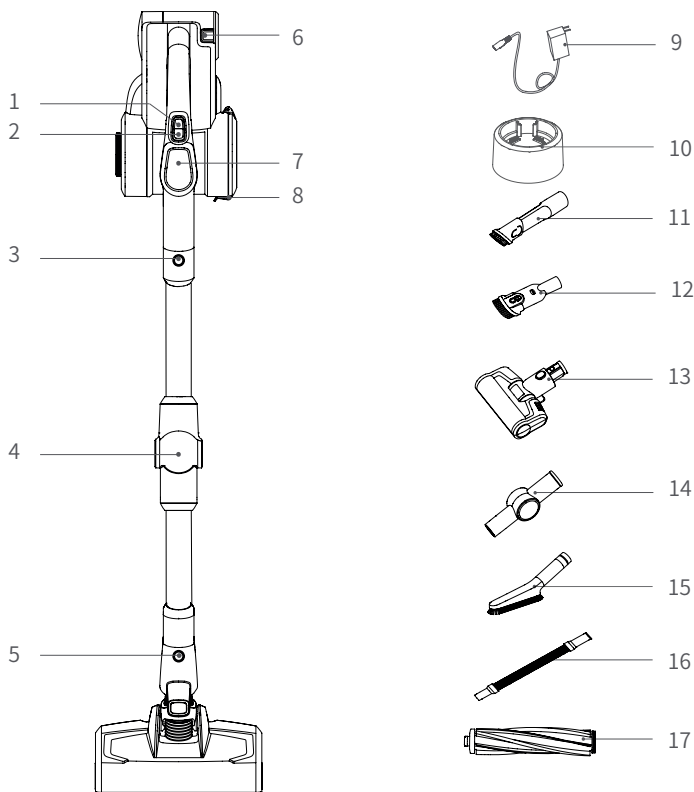
Este producto cuenta con garantía de dos años a partir de la fecha de compra.

Quedan excluidas de la garantía el desgaste normal, el uso comercial, las modificaciones al aparato comprado, las actividades de limpieza, las consecuencias del uso indebido o el daño por parte del comprador o de una tercera persona, el daño que puede atribuirse a circunstancias externas o las baterías.

Disimballaggio

Aprire l'imballaggio, estrarre la gommapiuma, gli accessori e l'apparecchio, rimuovere il sacchetto di plastica e conservarla per usi futuri.

Vocabolario



1. Pulsante di commutazione

2. Pulsante di accensione

3. Pulsante di rilascio del tubo metallico

4. Tubo metallico flessibile

5. Pulsante di commutazione

6. Pulsante di rilascio della batteria

7. Schermo a LED

8. Fermo di rilascio del contenitore della polvere

9. Adattatore

10. Supporto di carica della batteria

11. Strumento per fessure 2 in 1

12. Strumento per tappezzeria 2 in 1

13. Testata per materasso elettrica

14. Connettore

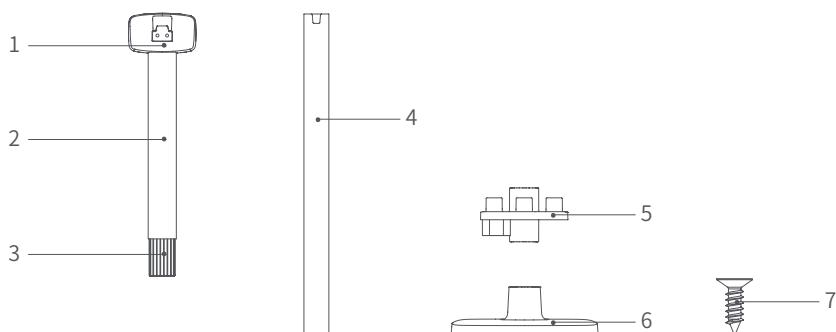
15. Spazzola morbida

16. Tubo flessibile elastico

17. Spazzola per tappeti

Charge holder

Parts Name



1.Portacarica

2.Tubo metallico superiore

3.Manicotto di tubo metallico

4 .Tubo metallico inferiore

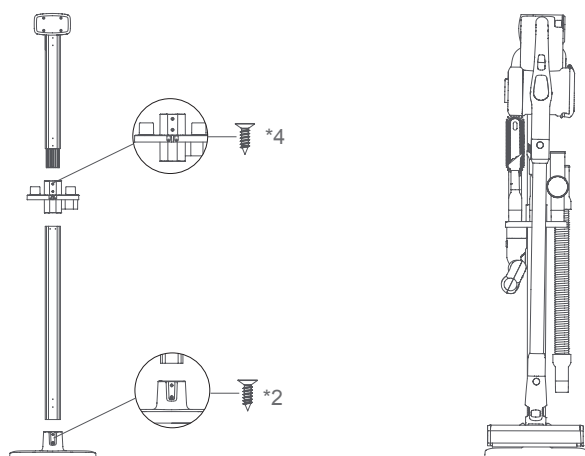
5. Porta accessori

6.Base del supporto di ricarica

7.Vite *6

Montaggio del supporto di ricarica

1. Posizionare la base del supporto di ricarica sul pavimento, inserire il tubo metallico inferiore alla base e fissare 2 viti. Montare il porta accessori sul tubo metallico inferiore, quindi assemblare il tubo metallico superiore e la portacarica, fissarli con 4 viti. 2. La base del supporto di ricarica dopo l'assemblaggio con la macchina e gli accessori è come.



Lista imballaggio

Nome	Aspirapolvere portatile	Testata elettrica del pavimento	Testata per materasso elettrica	Strumento per tappezzeria 2 in 1	Strumento per fessure 2 in 1
Quantità	1	1	1	1	1
Nome	Spazzola morbida	Supporto di ricarica	Connettore	Tubo flessibile elastico	Tubo metallico flessibile
Quantità	1	1	1	1	1
Nome	Spazzola per tappeti	Adattatore	Vite	Manuale di Istruzioni	Supporto di carica della batteria
Quantità	1	1	2	1	1
Nome	Porta accessori	Tubo metallico superiore	Tubo metallico inferiore	Base del supporto di ricarica	
Quantità	1	1	1	1	

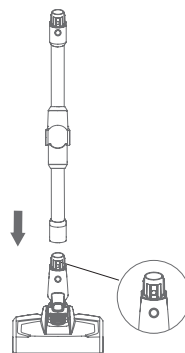
Installazione a macchina

1

Installazione di testata elettrica del pavimento e tubo metallico

Durante il collegamento, tenere la testata elettrica con la mano sinistra nella direzione mostrata, usare la mano destra per inserire il tubo metallico verticalmente nella testata del pavimento, allinearli con l'ago conduttivo, premere la maniglia fino a quando si sente un "clic".

Attenzione: mantenere l'impugnatura e la testata del pavimento nella stessa direzione, l'ago conduttivo deve allinearsi con la presa.

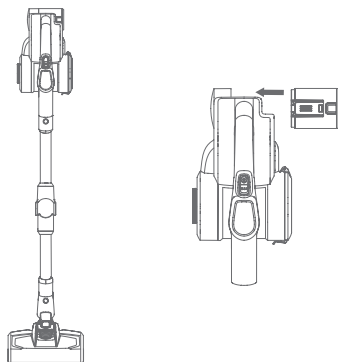


Durante l'imballaggio, lo stoccaggio o la pulizia, se è necessario rimuovere la testata elettrica, premere il pulsante di rilascio della testata del pavimento come mostrato nella figura e tirare la testata elettricella nella direzione mostrata nella figura.

2

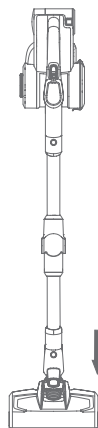
Installazione del pacco batteria e aspirapolvere portatile

Installazione del pacco batteria: tenere l'aspirapolvere portatile in una mano, tenere il pacco batteria nell'altra mano, mirare alla scanalatura di guida sul corpo, far scorrere il pacco batteria secondo la direzione della freccia mostrata in figura, e quindi tirare il pacco batteria dopo l'installazione per assicurarsi che non si allenti.



Attenzione: quando l'aspirapolvere è a lungo inattivo, rimuovere la batteria, imballare la macchina e riportarla in un luogo fresco e asciutto, evitare la luce solare diretta o l'ambiente umido.

3



Installazione di tubo metallico e aspirapolvere portatile

Innanzitutto, assemblare la testata del pavimento e il tubo metallico secondo il metodo di assemblaggio della testata del pavimento elettrico e del tubo metallico.

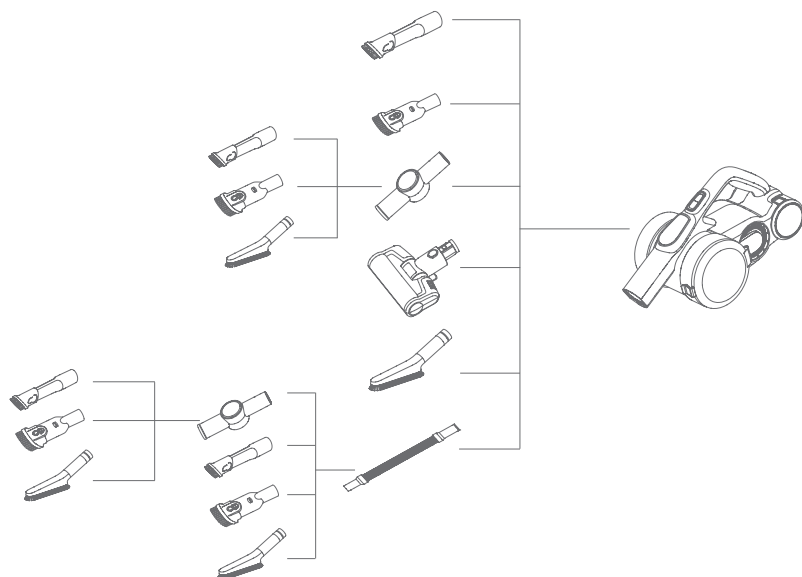
Montare la testata del pavimento, il tubo metallico e aspirapolvere portatile: come mostrato dalla freccia, allineare l'ago conduttivo del tubo metallico con l'accoppiatore dell'ugello di aspirazione, spingere verso l'alto fino a quando si sente un "clic".

Assemblaggio di accessori

Per comodità d'uso, questo prodotto è appositamente dotato di alcuni accessori per la parte portatile dell'aspirapolvere. Quando si utilizza l'aspirapolvere portatile da solo, è possibile collegare direttamente gli accessori in base alle proprie esigenze o collegare gli accessori attraverso il tubo flessibile elastico.

Nome	modello	H9 Pro
Testata per materasso elettrica		
Strumento per tappezzeria 2 in 1		
Strumento per fessure 2 in 1		
Spazzola morbida		
Tubo flessibile elastico		
Connettore		
Spazzola per tappeti		

Zubehörliste des Zubehörs



Elenco connessioni accessori

Attenzione: quando si utilizza il prodotto per la prima volta, la carica della batteria non è completa. È necessario caricare l'aspirapolvere prima dell'uso.

Montaggio del supporto di ricarica

Mettere l'aspirapolvere nel supporto e appoggiare l'aspirapolvere contro la parete, posizionare il supporto nella posizione in cui la testata del pavimento dell'aspirapolvere non tocca terra. Rimuovere l'aspirapolvere portatile, seguire Fig4 per posizionare il tubo di espansione sulla parete e seguire Fig5 per posizionare il supporto nella posizione del tubo di espansione, quindi bloccare la vite. Al termine dell'assemblaggio, caricare l'aspirapolvere sul supporto di ricarica o riportolo.

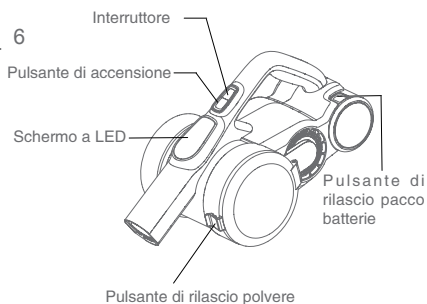
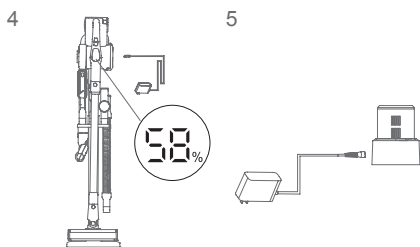
Attenzione: non fissare il supporto al bagno o ad altre pareti umide.

Carica dell'aspirapolvere

Quando la potenza dell'aspirapolvere è insufficiente, caricare l'aspirapolvere in tempo; Quando la tensione è troppo bassa, per proteggere la batteria, l'aspirapolvere si spegnerà automaticamente, in questo momento l'aspirapolvere deve essere caricato. Durante la ricarica, inserire il connettore del caricabatterie nella presa di corrente A / C, appendere l'aspirapolvere portatile sul supporto per iniziare la ricarica. Quando il display a LED dell'aspirapolvere portatile mostra un aumento di potenza, indica che l'aspirapolvere si sta caricando. Al termine della ricarica, il display a LED mostra una potenza del 100%.

Dopo la ricarica, scollegare la spina del caricabatterie dalla presa di corrente in tempo per interrompere la ricarica.

Attenzione: se il cavo di alimentazione è danneggiato, per evitare pericoli, deve essere sostituito da un professionista del produttore, agente di riparazione o reparto simile.

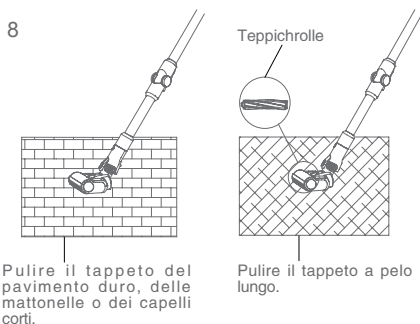
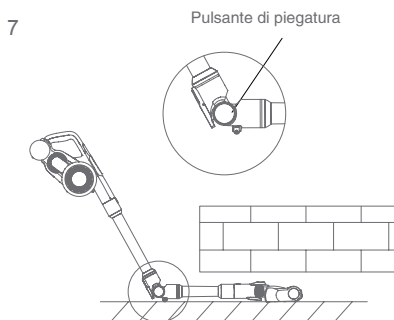


Uso dell'aspirapolvere portatile

Rimuovere l'aspirapolvere dal supporto, premere il pulsante sull'impugnatura per avviare o arrestare l'aspirapolvere. Quando il prodotto è appena acceso, funziona in modalità di alimentazione normale. Premere il pulsante di accensione per passare alla modalità di potenza media e massima.

Uso del tubo metallico flessibile

Il tubo metallico flessibile ha due modalità: verticale e di piegatura. La modalità verticale è equivalente al normale tubo metallico. La modalità di piegatura può essere utilizzata per la pulizia sotto il fondo del tavolo, il fondo del letto, ecc. Quando è necessaria la modalità di piegatura, premere il pulsante di piegatura come mostrato nella figura seguente e il tubo metallico può raggiungere un angolo di piegatura di 0-90 °.



Uso della testata elettrica del pavimento

Pulire pavimenti duri, piastrelle o moquette con la testata elettrica del pavimento. La spazzola per tappeti può essere sostituita alla testata per pulire il tappeto a pelo lungo.

Nota: che cos'è la protezione blocco della spazzola rotolante?

Durante il funzionamento della testata elettrica del pavimento, se c'è un grande volume di materiale estraneo inalato o troppa ferita di fibre, o anche un bambino nel gioco della macchina mette erroneamente la mano nell'ugello, causando un arresto anomalo del rullo, la testata elettrica del pavimento smetterà di funzionare, al fine di proteggere la sicurezza personale e il motore della spazzola.

Uso degli accessori

Strumento per fessure 2 in 1: adatto per pulire fessure, angoli di porte o finestre e altri spazi stretti.

Strumento per tappezzeria 2 in 1: adatto per pulire l'armadio, il davanzale, il divano e la superficie del tavolo.

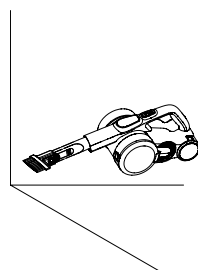
Spazzola morbida: adatta per la pulizia di mobili facili da graffiare come libreria, artigianato ecc.

Tubo flessibile elastico: il tubo flessibile elastico è adatto per la pulizia di aree difficili da raggiungere.

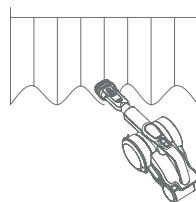
Testata per materasso elettrica: adatta per divano e materasso. La spazzola batte e quindi pulisce l'acaro della polvere e l'allergene dal divano o dal letto profondo.

Connettore: può essere collegato ad altri strumenti e piegare ad angolo diverso per pulire la polvere sopra gli armadi alti o la polvere sul tetto.

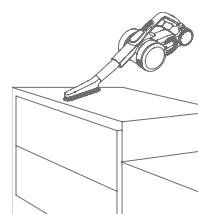
9



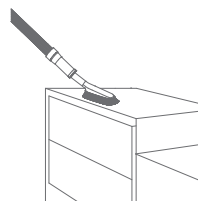
10



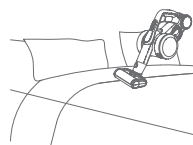
11



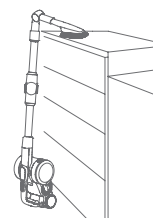
12



13

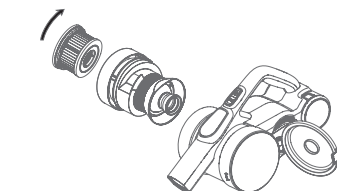
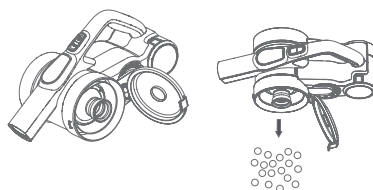


14



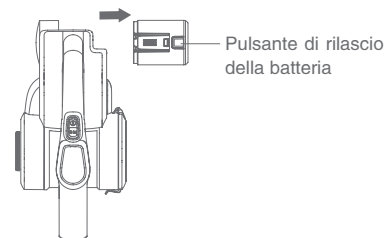
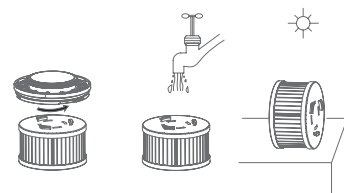
Pulizia e Sostituzione di Parti

1. Il filtro HEPA è disponibile per la vendita presso i distributori locali di aspirapolvere. 15
2. Si consiglia di pulire il contenitore della polvere dopo ogni utilizzo; Quando il contenitore della polvere è pieno o il filtro HEPA è intasato, deve essere pulito e sostituito se necessario. Il rullo di spazzola elettrico a pavimento potrebbe rimanere impigliato con i capelli dopo un uso prolungato. Deve essere pulito in tempo per far funzionare l'aspirapolvere in modo più efficiente. 16



Pulire il contenitore della polvere e il sistema di filtrazione

1. Premere verso il basso il coperchio inferiore del contenitore della polvere, aprire il contenitore della polvere e scaricare la polvere nel cestino. 17
2. Tenere il coperchio HEPA e ruotare in senso antiorario, rimuovere il gruppo HEPA dal vuoto portatile per la pulizia.
3. Tenere la parte superiore del gruppo ciclone e ruotare in senso antiorario, rimuovere il gruppo ciclone dal vuoto portatile per la pulizia.
4. Se è necessario lavare l'HEPA, tenere l'HEPA e ruotarlo in senso orario, rimuoverlo dal coperchio HEPA per il lavaggio. L'HEPA deve essere completamente asciutto prima di essere riutilizzato.
5. Dopo la pulizia, rimontare le parti nella sequenza opposta di smontaggio. 18



Pulire la spazzola a rullo elettrica

- 1.Spostare il pulsante di rilascio della spazzola lungo la direzione della freccia per rimuovere il coperchio laterale.
- 2.Rimuovere un'estremità del rullo di spazzola ed estrarlo dall'ugello per la pulizia.
- 3.Dopo aver pulito o sostituito la spazzola, rimontarlo nella sequenza opposta di smontaggio.

Conservazione dell'aspirapolvere

Smontaggio del pacco batteria

Premere il pulsante di rilascio della batteria, rimuovere il pacco batteria nella direzione della freccia e posizionare la batteria in un sacchetto di plastica, quindi conservarlo in un luogo asciutto.

Conservazione del corpo principale

Quando l'aspirapolvere è a lungo inattivo, rimuovere la batteria, imballare la macchina e riportarla in un luogo fresco e asciutto, non esporre alla luce diretta del sole o all'ambiente umido.

Note di sicurezza

Questo aspirapolvere è progettato per l'uso domestico. Non utilizzarlo per scopi commerciali o di altro.

Si prega di leggere attentamente le istruzioni prima dell'uso, correttamente salvare e archiviare per un uso futuro.

Non mettere il vuoto vicino al fuoco o altra struttura ad alta temperatura.

Non utilizzare o conservare la macchina in cattive condizioni estreme, ad esempio, temperature estreme. Si raccomanda di usare chiuso tra la temperatura di 5 ° C a 40 ° C. Conservare la macchina in luogo asciutto ed evitare la luce solare diretta.

Carica completamente la batteria prima del primo utilizzo o dopo una lunga conservazione

Prima di utilizzare il vuoto, assicurarsi che il rotolo di pasta sia assemblato, altrimenti potrebbe causare l'ostruzione del ventilatore del motore, causando la bruciatura del motore.

Si prega di non utilizzare l'aspirapolvere per raccogliere detersivo, olio, scorie di vetro, ago, cenere di sigarette, polvere bagnata, acqua, fiammiferi, ecc..

Si prega di non utilizzare l'aspirapolvere per raccogliere detersivo, olio, scorie di vetro, ago, cenere di sigarette, polvere bagnata, acqua, fiammiferi, ecc..

Evitare il blocco dell'ingresso dell'aria o del rullo spazzola, potrebbe causare guasti al motore.

Non mettere la mano o il piede in ingresso floorhead per evitare corpo ferito.

Non versare o spruzzare acqua o altri liquidi nella macchina per evitare cortocircuiti a bruciare la macchina.

Se la spazzola rotante non funziona, si prega di verificare se la spazzola rotante è impigliata con i capelli o altro fibra lunga, pulirlo nel tempo.

Quando si ripone la macchina per un lungo periodo, assicurarsi che la batteria sia completamente carica prima di riporla e caricare la macchina almeno ogni tre mesi.

Scollegare il caricabatterie per pulire o riparare la macchina. Tenere il caricabatterie quando collegare o scollegare, e non tirare il cavo di ricarica.

Usare un panno asciutto per pulire la macchina. Liquidi come benzina, alcool, diluente causeranno crepa o scolorimento e non possono essere utilizzate.

Se la macchina non funziona dopo completamente carica, deve essere controllato e riparato nel nostro ufficio designato, si prega di non smontare la macchina da soli.

La macchina scartata contiene batterie. Dovrebbero essere riciclati in modo sicuro. Non scartarli casualmente.

Se ci sono danni sul cavo di alimentazione, per evitare il pericolo, deve essere sostituito o riparato dal produttore, la riparazione di agenzia o professionista.

Risoluzione dei problemi

Si prega di verificare i seguenti problemi prima di inviare a un agente di riparazione designato.

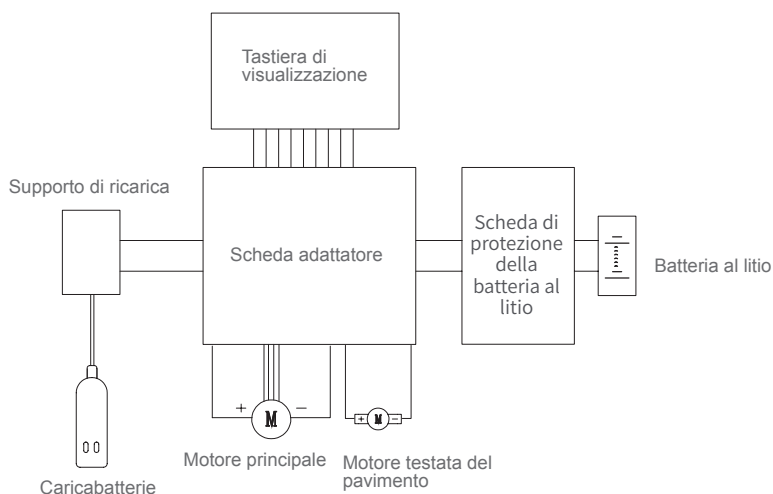
Problemi	Cause possibili	Soluzioni
Il motore non funziona	La batteria è scarica	Caricare l'aspirapolvere
Il motore non funziona	Il tubo metallico, la testa del pavimento, il pacco batteria e l'aspirapolvere non sono assemblati correttamente.	Controllare che gli accessori siano assemblati correttamente sull'aspirapolvere
Aspirazione ridotta	Contenitore della polvere pieno	Pulire il contenitore della polvere
Aspirazione ridotta	Filtro bloccato	Pulire o sostituire il filtro
Aspirazione ridotta	Percorso dell'aria della testata del pavimento bloccato	Pulire il percorso dell'aria della testata del pavimento
Breve tempo di lavoro dopo la ricarica	Macchina non completamente carica	Seguire il manuale di istruzioni per caricare completamente la batteria.
Breve tempo di lavoro dopo la ricarica	Invecchiamento della batteria	È possibile acquistare nuove batterie dal distributore locale

Attenzione: se ci sono altri guasti, è necessario riparare strumenti speciali, al fine di evitare pericoli, da personale professionale del produttore, agente di riparazione o agente simile.

Parametro tecnico

Modello No	H9 Pro
Tensione nominale	28.8V===
Potenza nominale	600W
Tensione di ingresso dell'adattatore	100-240V ~ 50/60Hz 0.8A
Tensione di uscita dell'adattatore	34.2V=== 600mA
Modello No. della testata elettrica del pavimento	T-EB110J
Potenza nominale della testata elettrica del pavimento	30W
Capacità del pacco batteria	3000mAh
Tempo di ricarica	4h-5h

Schema Elettrico



Informazioni sul produttore

Produttore	Kingclean Electric Co., Ltd
Indirizzo	Via Xiangyang 1, Nuovo quartiere di Suzhou, Provincia di Jiangsu 215009, Cina



Disposizione

La macchina, gli accessori e la confezione devono essere classificati per il riciclaggio amichevole all'ambiente.



Non smaltire la macchina nei rifiuti domestici.

Solo per gli stati di EC:

Secondo la direttiva europea 2012/19/EU, le macchine che non sono più utilizzabili e secondo la direttiva europea 2006/66/CE, i pacchi di batteria/le batterie difettose o utilizzate, devono essere raccolte separatamente e smaltite in modo corretto e anche amichevole all'ambiente.

I pacchi di batteria/le batterie:

Le batterie integrate potrebbero essere rimosse solo per lo smaltimento dal personale qualificato.

Un'apertura del guscio di carcassa, la macchina può essere danneggiata o distrutta.

Non smaltire i pacchi di batteria/le batterie nei rifiuti domestici, nel fuoco o nell'acqua. Se possibile, i pacchi di batteria/le batterie devono essere scaricati, raccolti, riciclati o smaltiti in modo amichevole all'ambiente.

Si può cambiare senza preavviso.

Informazioni su Garanzia

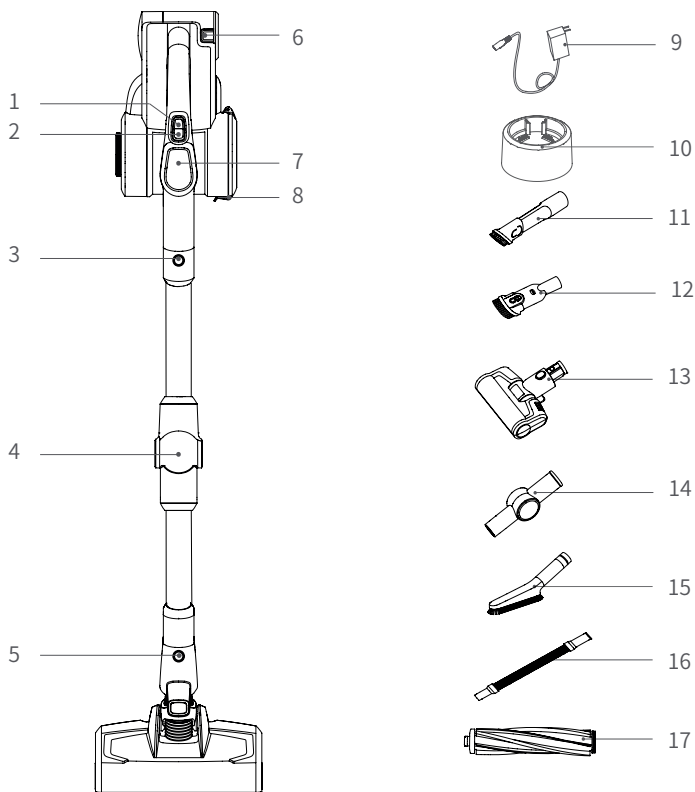
Questo prodotto gode di due anni di garanzia per la macchina per il servizio che inizia dalla data di acquisto.

La garanzia è esclusa dall'usura normale, l'utilizzo commerciale, le modifiche all'apparecchio come acquistato, le attività di pulizia, le conseguenze di un uso improprio o danni dall'acquirente o da una terza persona, e i danni che possono essere causati dall'ambiente esterno o causati dalle batterie.

Déballage

Ouvrez l'emballage, sortez le coussin en mousse, et tous les accessoires et données, prenez l'aspirateur, enlevez le depuis la valise, enlevez le sac en plastique. Conservez-les pour le transport futur.

Nom des pièces



1. Bouton de l'interrupteur

2. Bouton d'alimentation

3. Bouton de libération du tube métallique

4. Tube métallique flexible

5. Bouton de libération de la tête de plancher

6. Bouton de libération de la batterie

7. Ecran LED

8. Loquet de libération du bac à poussière

9. Chargeur

10. Support de charge de batterie

11. Suceur plat 2 en 1

12. Outil de rembourrage 2 en 1

13. Tête de matelas électrique

14. Connecteur

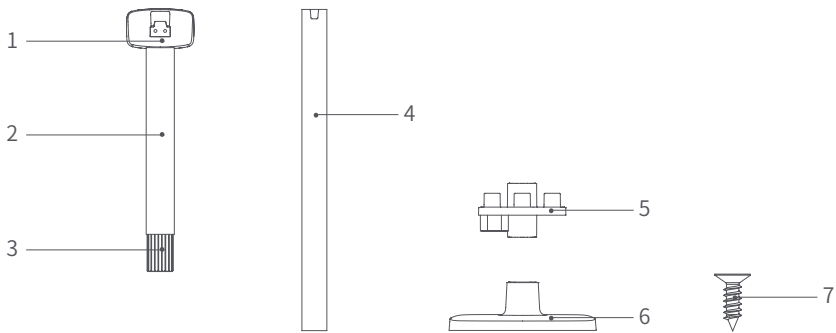
15. Brosse douce

16. Tuyau extensible

17. Rouleau de tapis

Nom de chaque pièce

Nom de chaque pièce



1.Nom de chaque pièce

2.Tige en tube métallique

3.Manchon de tube métallique

4 .Tube métallique inférieur

5. Support d'accessoires

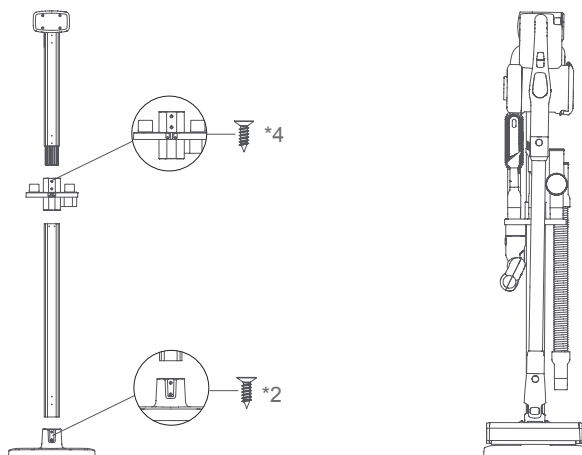
6.Base du support de charge

7.Vis * 6

Montage du support de charge

1.Placez la base du support de charge sur le sol, insérez le tube métallique plus bas dans la base et fixez 2 vis. Assemblez le support d'accessoires au tube métallique inférieur, puis assemblez le tube supérieur métallique et le support de charge, fixez avec 4 vis.

2.Le support de charge après assemblage avec la machine et les accessoires dessus est comme.



Liste de colisage

Nom	Aspirapolvere portatile	Testata elettrica del pavimento	Testata per materasso elettrica	Strumento per tappezzeria 2 in 1	Strumento per fessure 2 in 1
Quantité	1	1	1	1	1
Nom	Spazzola morbida	Supporto di ricarica	Connettore	Tubo flessibile elastico	Tubo metallico flessibile
Quantité	1	1	1	1	1
Nom	Spazzola per tappeti	Adattatore	Vite	Manuale di Istruzioni	Supporto di carica della batteria
Quantité	1	1	2	1	1
Nom	Porta accessori	Tubo metallico superiore	Tubo metallico inferiore	Base del supporto di ricarica	
Quantité	1	1	1	1	

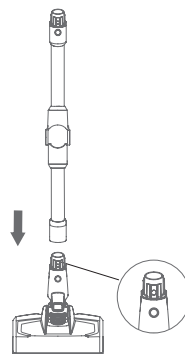
Assemblage de la machine

Montage de la tête de plancher électrique et le tube métallique

Pendant la connexion, tenez la brosse électrique avec votre main gauche dans la direction indiquée, insérez le tube métallique verticalement dans la tête du sol avec la main droite, alignez-la avec l'aiguille conductrice, appuyez sur la poignée jusqu'à ce qu'un «clac» soit entendu.

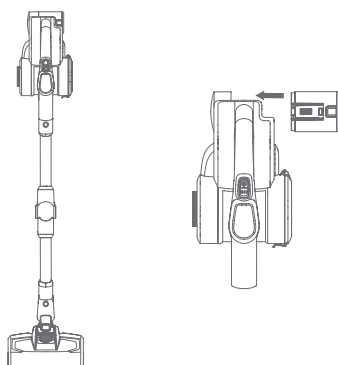
Attention: Gardez la poignée et la tête de plancher dans la même direction, l'aiguille conductrice doit être aligné avec la prise.

1



Pendant l'emballage, le stockage ou le nettoyage, si la tête de plancher électrique doit être retirée, appuyez sur le bouton de libération de la brosse comme indiqué sur la figure et tirez la tête de plancher électrique dans la direction indiquée sur la figure.

2

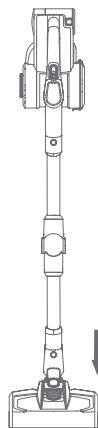


Montage de la batterie et l'aspirateur à main

Montage de la batterie: tenez l'aspirateur à main dans une main, tenez la batterie dans l'autre main, visez la rainure de guidage sur le corps, glissez la batterie dans le sens de la flèche indiqué sur la figure, et tirez ensuite la batterie après l'installation pour assurer qu'il n'a pas le relâchement.

Attention: lorsque l'aspirateur n'est pas longtemps utilisé, retirez la batterie, emballez la machine et la stockez dans un endroit frais et sec, il doit éviter la lumière directe du soleil ou l'environnement humide.

3



Montage du tube métallique et de l'aspirateur à main

Premièrement, assemblez la tête de plancher et le tube métallique selon la méthode d'assemblage de la tête de plancher électrique et du tube métallique.

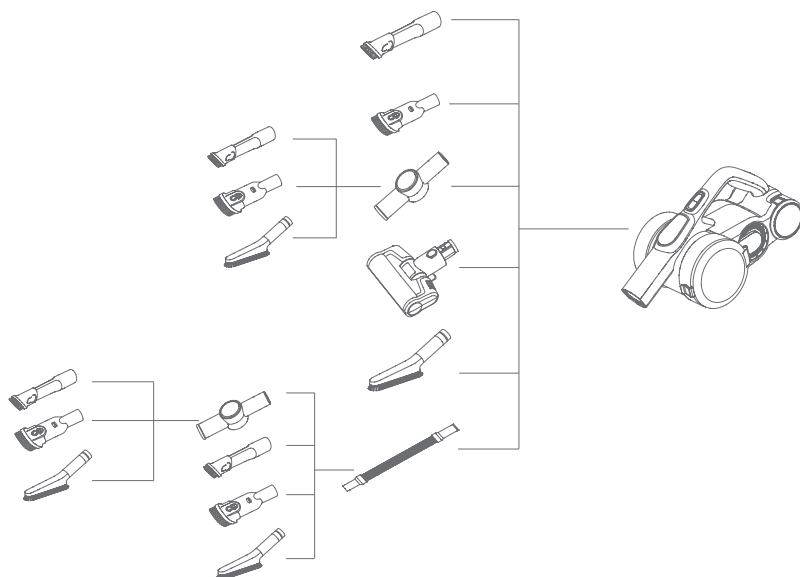
Assemblez la tête de plancher, le tube métallique et l'aspirateur à main: comme indiqué par la flèche, alignez l'aiguille conductrice du tube métallique avec le coupleur de la buse d'aspiration, poussez vers le haut jusqu'à ce qu'un « clic » soit entendu.

Assemblage des accessoires

Pour la facilité d'utilisation, ce produit est spécialement équipé de quelques accessoires pour la partie portable de l'aspirateur. Lorsque utilisez l'aspirateur à main, vous pouvez connecter directement les accessoires selon vos besoins ou connecter les accessoires via le tuyau extensible.

Nom	Modèle	H9 Pro
Brosse à matelas électrique		
Outil de rembourrage 2 en 1		
Suceur plat 2 en 1		
Brosse douce		
Tuyau extensible		
Connecteur		
Rouleau de tapis		

Liste de connexion des accessoires



Utilisation de l'aspirateur

Attention: Lors de l'utilisation du produit pour la première fois, la batterie n'est pas pleine, l'aspirateur doit être chargé avant l'utilisation.

Montage du support de charge

Méthode de montage I: placez l'aspirateur dans le support et appuyez-le contre le mur, placez le support dans la position où la tête de plancher de l'aspirateur ne touche pas le sol, retirez l'aspirateur à main, suivez la Fig4 pour placer le tuyau d'expansion sur le mur et suivez la Fig5 pour placer le support en position du tuyau d'expansion, et verrouillez la vis. Quand l'assemblage est terminé, placez l'aspirateur sur le support du chargeur pour le charge ou le rangement.

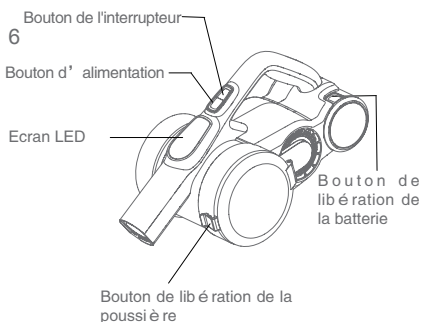
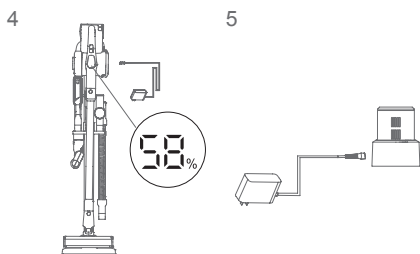
Attention: ne fixez pas le support à la mur humide comme la salle de bain .

Charge de l'aspirateur

Quand la puissance de l'aspirateur est insuffisante, chargez l'aspirateur à temps; quand la tension est trop faible, il doit protéger la batterie, l'aspirateur s'éteindra automatiquement, l'aspirateur doit être chargé à ce moment. Lors du chargement, branchez le connecteur du chargeur dans la prise d'alimentation A / C, suspendez l'aspirateur à main sur le support pour le charge. Lorsque l'écran LED de l'aspirateur à main montre une augmentation de la puissance, il indique que l'aspirateur est en charge. Une fois la charge est terminée, l'écran LED montre une puissance de 100%.

Après la charge, retirez la fiche du chargeur de la prise de courant et arrêtez la charge.

Attention: si la ligne d'alimentation est endommagé, il doit être remplacé par un professionnel du fabricant, un réparateur ou un service similaire pour éviter un danger.



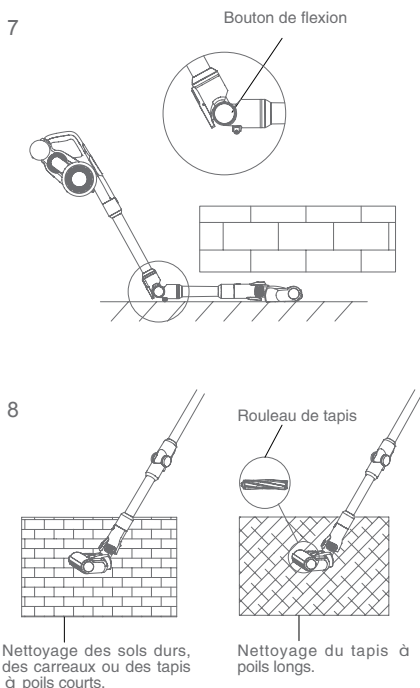
Use of Handheld Vacuum Cleaner

Utilisation de l'aspirateur à main

Retirez l'aspirateur du support, appuyez sur le bouton de l'interrupteur sur la poignée pour le démarrage ou l'arrêt de l'aspirateur. Lorsque la machine est allumée, le fonctionnement est en le mode d'alimentation normal, appuyez sur le bouton d'alimentation pour passer en le mode turbo ou la puissance maximale.

Utilisation de tube métallique flexible

Le tube métallique flexible a deux modes: vertical et flexible. Le mode vertical est équivalent au tube métallique normal. Le mode de flexion peut être utilisé pour le nettoyage du fond de la table, du fond du lit, etc. Lorsque le mode de flexion est utilisé, appuyez sur le bouton de flexion comme indiqué dans la figure suivante, et le tube métallique peut atteindre un angle de pliage de 0 à 90 °.



Utilisation de la tête de plancher électrique
Nettoyage des sols durs, des carreaux ou des tapis avec la tête de plancher électrique. La brosse à tapis peut être remplacée par la tête de plancher lors du nettoyage de la moquette à poils longs.

Remarque: quelle est la protection de blocage de la brosse roulante?

Pendant le fonctionnement de la tête de plancher électrique, s'il y a un grand volume de corps étranger inhalé ou trop de fibres, ou même un enfant dans la machine a mis par erreur sa main dans la buse, entraînant l'arrêt anormal du rouleau, la tête de plancher électrique cessera de fonctionner pour protéger la sécurité personnelle et le moteur de la brosse.

Utilisation d'accessoires

Suceur plat 2 en 1: disponible pour le nettoyage des coins de crevasse, de la porte ou de fenêtre et autres espaces étroits.

Outil de rembourrage 2 en 1: disponible pour le nettoyage de placard, le rebord de fenêtre, le canapé et la surface de table.

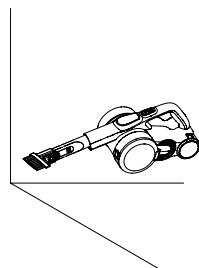
Brosse douce: disponible pour le nettoyage des meubles à gratter comme l'étagère, l'artisanat, etc.

Tuyau extensible: le tuyau extensible est disponible pour le nettoyage des endroits difficiles d'accès.

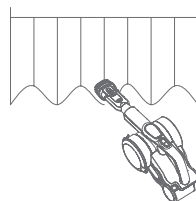
Tête de matelas électrique: disponible pour le canapé et les matelas, le rouleau à brosse puis nettoie les acariens et les allergènes du canapé ou du lit profond.

Connecteur: il peut être connecté aux autres outils et plié à différents angles pour nettoyer la poussière sur les armoires hautes ou la poussière sur le toit.

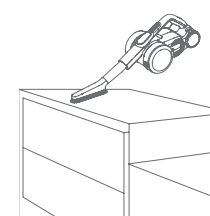
9



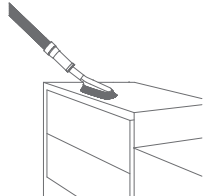
10



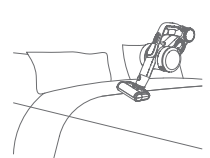
11



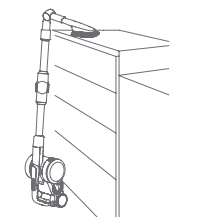
12



13



14



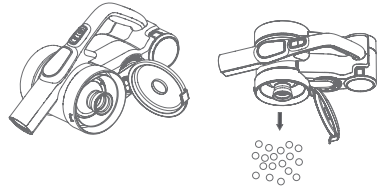
Nettoyage et remplacement des pièces

1. Le filtre HEPA est disponible pour la vente auprès des distributeurs locaux d'aspirateurs.
 2. Il est recommandé de nettoyer le bac à poussière après chaque utilisation; quand le bac à poussière est plein ou le filtre HEPA est bloqué, il doit être nettoyé et remplacé si nécessaire; la brosse électrique au sol peut être emmêlée avec les cheveux après l'utilisation longue, il doit être nettoyé à temps pour que le fonctionnement plus efficace.

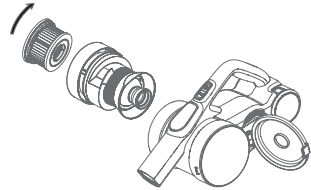
Clean dust cup and filtration system Nettoyage du bac à poussière et du système de filtration

1. Appuyez sur le couvercle inférieur du bac à poussière, ouvrez le bac à poussière et entonnez la poussière dans la poubelle.
 2. Tenez le couvercle HEPA et tournez-le dans le sens inverse des aiguilles d'une montre, retirez l'ensemble HEPA de l'aspirateur à main pour le nettoyage.
 3. Tenez le haut de l'ensemble cyclone et tournez-le dans le sens inverse des aiguilles d'une montre, retirez l'ensemble cyclone de l'aspirateur à main pour le nettoyage.
 4. Si le HEPA doit être lavé, maintenez le HEPA et tournez-le dans le sens des aiguilles d'une montre, retirez-le du couvercle HEPA pour le lavage. HEPA doit être complètement sec avant la réutilisation.
 5. Après le nettoyage, remontez les pièces selon l'ordre inverse du démontage.

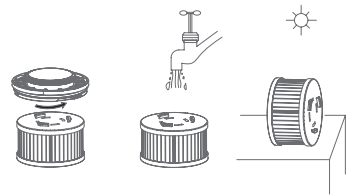
15



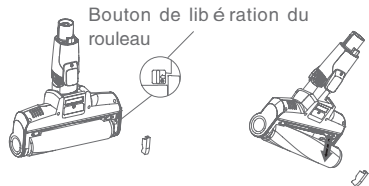
16



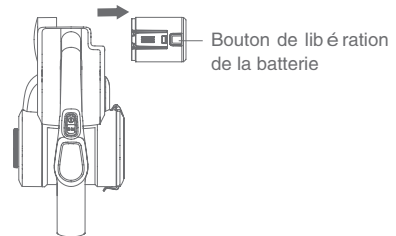
17



18



19



Nettoyage du rouleau de brosse

1. Déplacez le bouton de libération du rouleau dans le sens de la flèche, retirez le couvercle latéral.
2. Retirez une extrémité du rouleau et sortez-le de la buse de nettoyage.
3. Après le nettoyage ou remplacement du rouleau de brosse, remontez-le dans le sens inverse du démontage.

Stockage de l'aspirateur

Démontage de la batterie

Appuyez sur le bouton de libération de la batterie, retirez la batterie dans le sens de la flèche et placez la batterie dans un sac plastique, puis placez-la dans un endroit sec.

Stockage du corps principal

Lorsque l'aspirateur n'est longtemps utilisé, retirez la batterie, emballez la machine et stockez-la dans un endroit frais et sec, ne l'exposez pas à la lumière directe du soleil ou dans un environnement humide.

Notes de sécurité

Cet aspirateur est réservé à la famille. Ne l'utilisez pas à des fins commerciales ou d'autres.

Il faut lire attentivement ce mode d'emploi avant l'utilisation, et conservez-le pour une utilisation future.

Ne placez pas l'aspirateur près d'un feu ou d'autres places à haute température.

N'utilisez pas et ne stockez pas la machine dans des conditions extrêmement défavorables, telles que des températures extrêmes. Il faut l'utiliser à l'intérieur entre 5 et 40 ° C. Rangez la machine dans un endroit sec et évitez les rayons directs du soleil.

Chargez complètement la batterie avant la première utilisation ou après un long stockage.

Avant d'utiliser l'aspirateur, assurez-vous que le rouleau pinceau est bien fixé, faute de quoi le ventilateur du moteur risque de se boucher et de se brûler.

Il ne faut pas utiliser l'aspirateur pour aspirer du détergent, de l'huile, du laitier de verre, une aiguille, de la cendre de cigarette, de la poussière humide, de l'eau, des allumettes, etc.

Il ne faut pas utiliser l'aspirateur pour aspirer de minuscules particules telles que du ciment, du gypse en poudre, de la poudre pour mur ou de gros objets tels que des billes de papier, sinon cela pourrait provoquer des pannes telles qu'un blocage et un épuisement du moteur.

Lors de l'utilisation de l'aspirateur, il ne faut pas bloquer l'entrée d'aspiration et la brosse à rouleau, sinon le moteur pourrait être en panne.

Ne mettez pas votre main ou votre pied dans l'entrée de l'entrée de plancher pour éviter des blessures corporelles.

Ne versez pas ni éclaboussez d'eau ou d'autres liquides dans la machine afin d'éviter tout court-circuit.

Si la brosse à rouleau ne fonctionne pas, vérifiez s'il est emmêlé avec des cheveux ou d'autres fibres longues, nettoyez-le à temps.

Lorsque vous stockez la machine pendant une longue période, assurez-vous que la batterie est complètement chargée avant de la stocker et chargez la machine au moins tous les trois mois.

Lorsque votre aspirateur est complètement chargé, a besoin d'être nettoyé ou réparé, il faut débrancher le chargeur à temps, maintenir le chargeur pour brancher et débrancher le cordon d'alimentation. Ne tirez pas le cordon d'alimentation.

Utilisez un chiffon sec pour nettoyer la machine. Les liquides comme l'essence, l'alcool, les diluants à laque provoqueront une décoloration des fissures ou des couleurs qui ne peuvent pas facilement être fléries.

Si la machine ne fonctionne pas après une charge complète, elle doit être vérifiée et réparée dans notre bureau désigné. Ne démontez pas la machine vous-même.

La machine mise au rebut contient des batteries. Elles devraient être recyclées en toute sécurité. Ne les jetez pas au hasard.

Si le cordon d'alimentation est endommagé, il doit être remplacé ou réparé par le fabricant, une agence de réparation ou un professionnel pour éviter tout danger.

Dépannage

Vérifiez les problèmes suivants avant d'envoyer à un réparateur agréé.

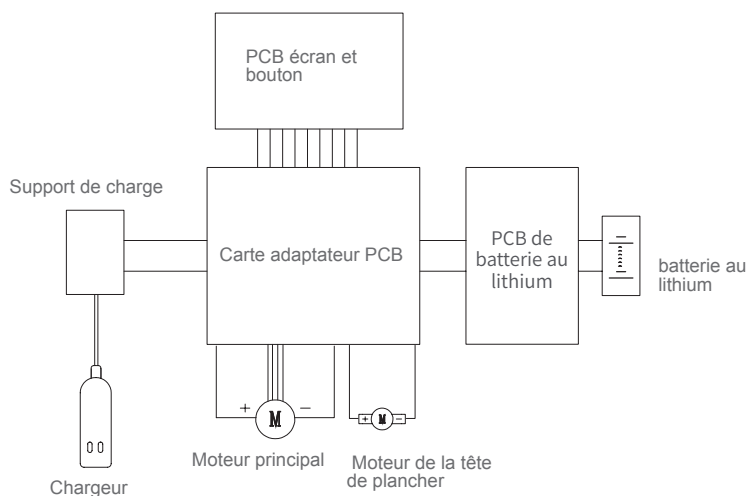
Panne	Causes possibles	Solutions
Le moteur ne fonctionne pas	La batterie n'est pas alimentée	Chargez l'aspirateur
Le moteur ne fonctionne pas	Le tube métallique, la tête de plancher, la batterie et l'aspirateur ne sont pas correctement assemblés.	Vérifiez si les accessoires sont correctement assemblés à l'aspirateur.
Force d'aspiration faible	Le bac à poussière est plein	Ettoyez le bac à poussière
Force d'aspiration faible	Le filtre est bloqué	tête de planche
Force d'aspiration faible	La tête de planche d'air est bloquée	Reinigen Sie den Platinenkopf
Temps de travail court après la charge	La machine n'est pas complètement chargée	Suivez le manuel d'instructions pour charger la batterie complètement
Temps de travail court après la charge	Vieillessement de la batterie	Les batteries nouvelles peuvent être achetées depuis un distributeur local

Attention: s'il y a d'autres défauts, il doit utiliser les outils spéciaux, afin d'éviter tout danger et il doit être réparé par les professionnels du fabricant, du réparateur ou du service similaire.

Paramètre technique

Numéro de modèle	H9 Pro
Tension nominale	28.8V \approx
Puissance nominale	600W
Tension d'entrée de l'adaptateur	100-240V \sim 50/60Hz 0.8A
Tension de sortie de l'adaptateur	34.2V \approx 600mA
Numéro de modèle de la tête de plancher	T-EB110J
Puissance nominale de la tête de plancher	30W
Capacité du sac de batterie	3000mAh
Temps de charge	4h-5h

Schéma du circuit



Informations du fabricant

Fabricant	Kingclean Electric Co., Ltd
Adresse	No.1 rue Xiangyang, nouveau district de Suzhou, province du Jiangsu 215009, Chine



Disposition

Pour un recyclage respectueux de l'environnement, les machines, les accessoires et les emballages doivent être classés.



Ne pas jeter la machine dans les ordures ménagères!

Uniquement pour les pays de la CE

Selon la directive européenne 2012/19 / EU et conformément à la directive européenne 2006/66 / CE, les blocs / batteries défectueux ou usés, les machines qui ne sont plus utilisables doivent être collectées séparément et éliminées dans le respect de l'environnement.

Batteries / batteries

Les piles intégrées ne peuvent être retirées pour élimination que par du personnel qualifié.

Ouvrir la coque du boîtier peut endommager ou détruire la machine.

Ne pas jeter les batteries dans les déchets ménagers, ni dans le feu ni l'eau. Les piles / batteries doivent être déchargées, collectées, recyclées ou éliminées dans le respect de l'environnement s'il est possible.

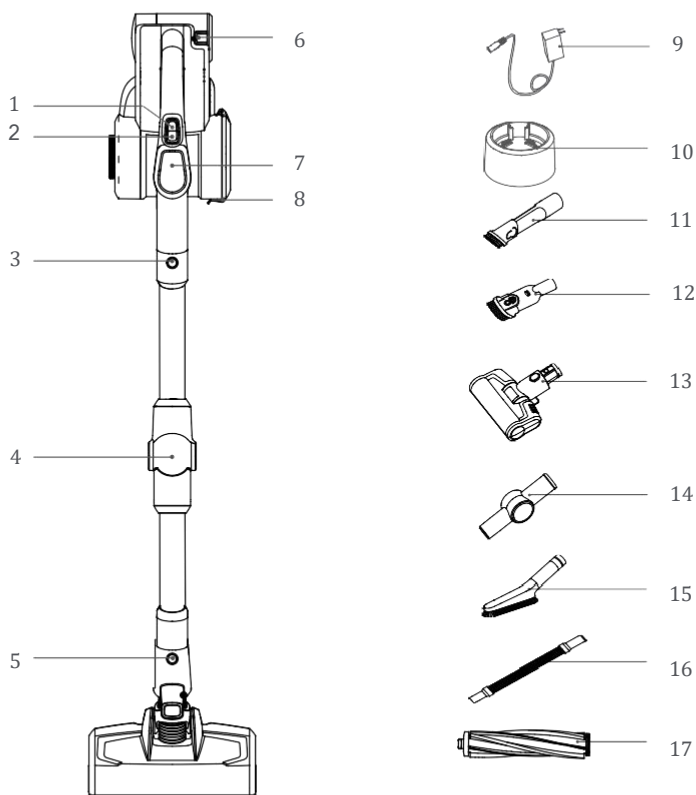
Sujet à changement sans préavis.

Informations de garantie

Ce produit bénéficie d'une garantie de deux ans la date d'achat

La garantie l'usure normale exclus l'utilisation commerciale, les modifications apportées à l'appareil acheté, les activités de nettoyage, les conséquences d'un usage impropre ou de dommages causés par l'acheteur ou un tiers, les dommages pouvant être imputés à des circonstances extérieures ou aux piles.

Наименование деталей

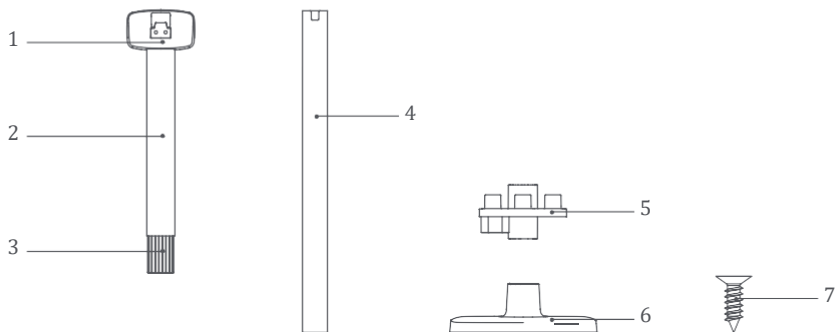


1. Кнопка-выключатель
4. Гибкая металлическая трубка
7. Экран LED
10. Основание для зарядки аккумулятора
13. Электрическая щетка для пылевых клещей
16. Эластичный шланг

2. Кнопка для регулировки скорости
5. Кнопка разблокировки напольной щетки
8. Защелка разблокировки пылесборника
11. Плоская насадка "два в одном"
14. Переходник
17. Роликовая щетка

3. Кнопка разблокировки металлической трубки
6. Кнопка разблокировки аккумуляторной батареи
9. Адаптер
12. Насадка "два в одном" для дивана
15. Мягкая щетка

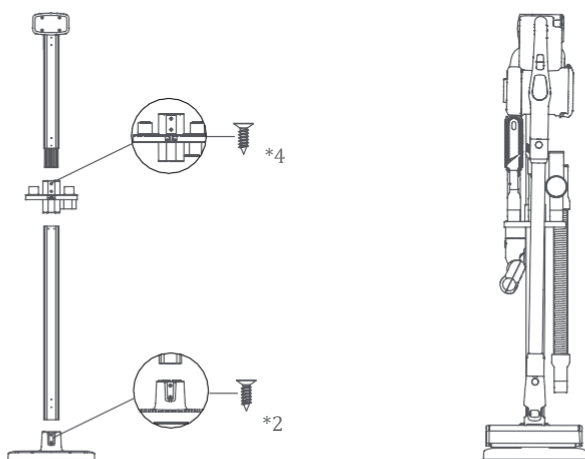
Наименование деталей держателя



1. Держатель для зарядки
2. Верхняя алюминиевая трубка
3. Втулка алюминиевой трубки
4. Нижняя алюминиевая трубка
5. Держатель для аксессуаров
6. Основание держателя для зарядки
7. Винт*6шт

Монтаж основания для зарядки

1. Поставьте основание на поверхность, вставьте нижнюю алюминиевую трубку в основание, закрепите её двумя винтами; вставьте держатель для аксессуаров в нижнюю алюминиевую трубку; вставьте верхнюю алюминиевую трубку и блок держателя для зарядки, потом закрепите их четырьмя винтами.
2. Устройство элементов держателя показано на картинке ниже.



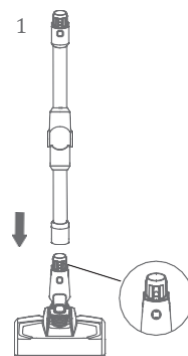
Комплектация

Наименование	Ручной пылесос	Электрическая напольная щетка	Электрическая щетка для пылевых клещей	Насадка "два в одном" для дивана	Плоская насадка "два в одном"
Количество	1	1	1	1	1
Наименование	Мягкая щетка	Держатель для зарядки	Переходник	Эластичный шланг	Гибкая электропроводная металлическая трубка
Количество	1	1	1	1	1
Наименование	Роликовая щетка	Адаптер	Винт	Инструкция по эксплуатации	База для зарядки аккумулятора
Количество	1	1	2	1	1
Наименование	Держатель для аксессуаров	Верхняя алюминиевая трубка	Нижняя алюминиевая трубка	Основание держателя для зарядки	
Количество	1	1	1	1	

Монтаж устройства

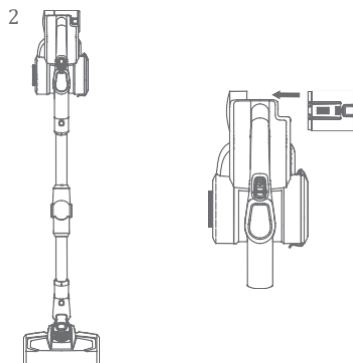
Монтаж электрической напольной щетки и металлической трубки

При соединении держите напольную щетку левой рукой в направлении, показанном на рисунке, и вертикально вставьте соединение напольной щетки в отверстие для монтажа напольной щетки под металлической трубкой правой рукой, и крепко нажмите на толкатель, пока не услышите «щелчок».



Внимание: при сборке держите рукоятку и напольную щетку в одном направлении, и вставьте электропроводную иглу в гнездо.

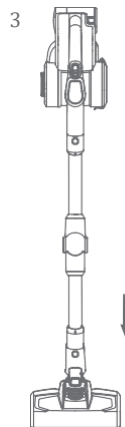
При транспортировке, хранении или чистке, если необходимо демонтировать электрическую напольную щетку, пожалуйста, нажмите на кнопку разблокировки напольной щетки, как показано на рисунке и потяните щетку в направлении, показанном на рисунке.



Монтаж аккумуляторной батареи и ручного пылесоса

Монтаж аккумуляторной батареи: стабилизируйте пылесос одной рукой и держите аккумуляторную батарею другой рукой, в соответствии с положением паза направляющей на корпусе устройства, установите аккумуляторную батарею в направлении по стрелке, указанном на рисунке. После установки убедитесь, что аккумуляторная батарея не отсоединилась.

Внимание: Если пылесос не используется в течение длительного времени, следует извлечь аккумулятор, упаковать устройство и хранить его в прохладном и сухом месте во избежание воздействия прямых солнечных лучей или влажной среды.



Монтаж металлической трубки и машины

Сначала установите напольную щетку и металлическую трубку согласно способу монтажа электрической напольной щетки и металлической трубки.

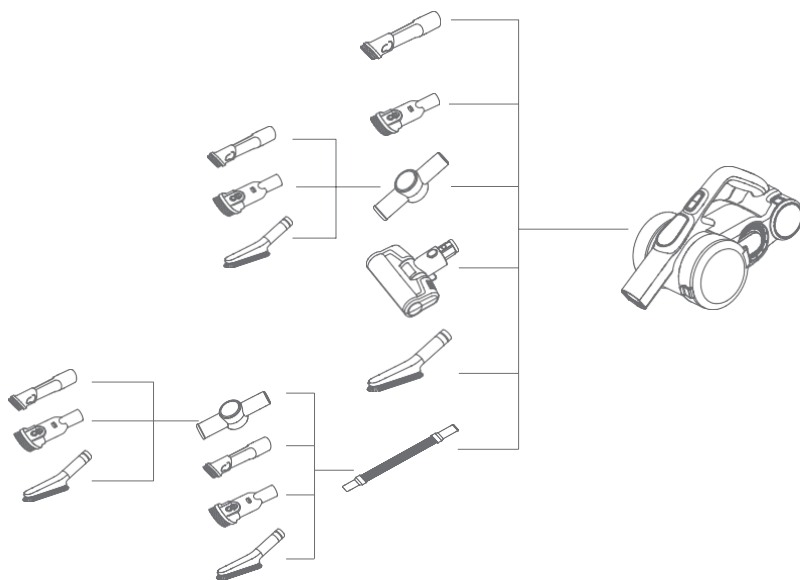
Монтаж напольной щетки, металлической трубки и ручного пылесоса: как показано стрелкой на рисунке, выровняйте металлическую трубку и закрепите в муфту всасывающего сопла со «щелчком».

Подсоединение аксессуаров

Для удобства использования устройство оснащено некоторыми аксессуарами для ручной части пылесоса. Когда Вы используете только ручной пылесос, Вы можете подсоединить аксессуары напрямую или с помощью эластичного шланга по мере необходимости.

Наименование	Модель	H9 Pro
Электрическая щетка		
Насадка "два в одном" для дивана		
Плоская насадка "два в одном"		
Мягкая щетка		
Трубка		
Переходник		
Роликовая щетка		

Перечень аксессуаров для подсоединения



Использование пылесоса

Внимание: при первом использовании устройства емкость аккумулятора пылесоса может быть неполной. Необходимо зарядить пылесос и использовать его после полной зарядки.

Держатель

Сначала поместите пылесос в держатель и приклоните его к стене на такой высоте, чтобы напольная щетка не касалась пола. Снимите пылесос и установите расширительную трубку на стену в соответствии с рисунком 4, поместите держатель в положение расширительной трубки в соответствии с рисунком 5 и закрепите винтом. После завершения сборки поместите пылесос в держатель зарядного устройства для зарядки или хранения.

Внимание: не закрепляйте держатель на стене ванной комнаты или на другой влажной стене.

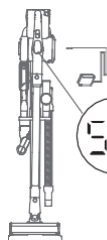
Зарядка пылесоса

Когда мощность пылесоса недостаточна, зарядите его; Когда напряжение слишком низкое, для защиты аккумулятора пылесос автоматически отключится, в это время пылесос необходимо зарядить. Подключите разъем зарядного устройства к розетке и повесьте ручной пылесос на держатель, чтобы начать зарядку. Когда на дисплее высветится увеличение мощности, пылесос начнет заряжаться. После полной зарядки аккумулятор покажет 100% мощности.

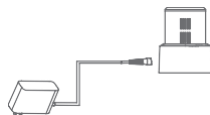
После завершения зарядки, пожалуйста, выньте вилку зарядного устройства из розетки.

Внимание: если кабель питания поврежден, обратитесь к производителю-заводу, его сервисному отделу или аналогичному отделу за профессиональной помощью. Очистка плиточного пола, короткошерстного ковра

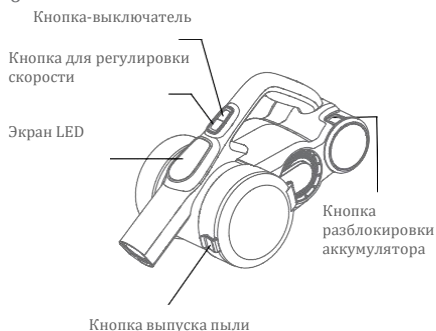
4



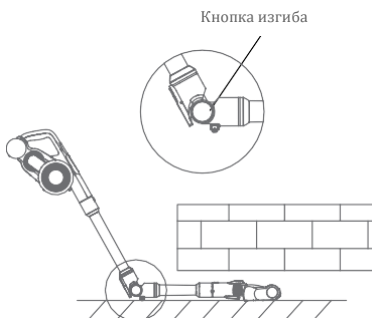
5



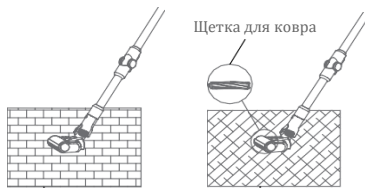
6



7



8



Очистка плиточного пола, короткошерстного ковра

Очистка длинношерстного ковра

Способ использования ручного пылесоса

Снимите пылесос с держателя и нажмите на кнопку-выключатель на рукоятке для запуска или остановки пылесоса. При включении пылесос работает в обычном режиме мощности. При нажатии кнопки для регулировки скорости можно переключиться в режим средней и максимальной мощности.

Способ использования гибкой электропроводной металлической трубки

Гибкая электропроводная металлическая трубка имеет два типа: вертикальный и изгибный. Вертикальный тип эквивалентен обычной электропроводной металлической трубке. Изгибный тип может использоваться для очистки под столом и кроватью. При необходимости использовать изгибный тип, как показано на следующем рисунке, наряду с нажатием кнопки изгиба согните металлическую трубку для достижения изгиба на 0-90°.

Способ использования электрической щетки

Электрическая напольная щетка используется для очистки полов, плиточных полов или ковра. При очистке длинношерстного ковра можно заменить напольную щетку на ковровую роликовую щетку.

Примечание: Что такое защита от остановки вращения роликовой щетки?

Во время работы электрической напольной щетки, если всасывается большой объем посторонних веществ или наматывается слишком много волокон, или даже ребенок во время игры с машиной по ошибке засунул руку в насадку, что приводит к ненормальной остановке щетки, напольная щетка перестанет работать в целях защиты личной безопасности и двигателя напольной щетки.

Использование аксессуаров

Плоская насадка “два в одном”: подходит для очистки узких щелей, дверей и окон, углов и других мелких щелей как показано на рисунке 9.

Насадка “два в одном” для дивана: подходит для очистки шкафов, подоконников, диванов и столешниц как показано на рисунке 10.

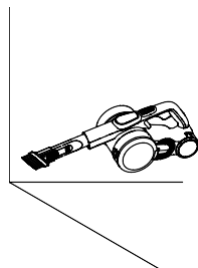
Мягкая щетка: подходит для очистки мебели, которая легко подвергается царапине, как книжные шкафы, изделия ручной работы и т.д. как показано на рисунке 11.

Эластичный шланг: эластичный шланг используется для очистки труднодоступных мест как показано на рисунке 12.

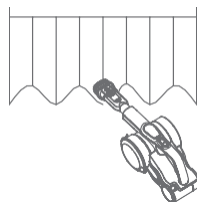
Электрическая щетка для кровати: подходит для диванов и матрасов. Путем вибрации роликовой щетки, пылевые клещи и бактерии, скрытые в матрасах или диванах, могут всасываться как показано на рисунке 13.

Переходник: используется для изгиба аксессуаров под разными углами после их подсоединения, а также для удаления пыли на вершине шкафа и на крыше как показано на рисунке 14.

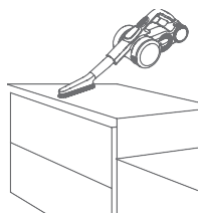
9



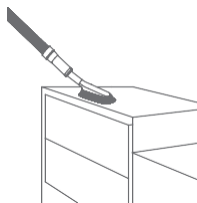
10



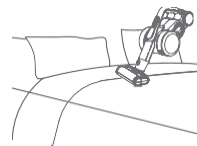
11



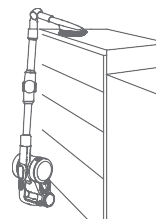
12



13



14



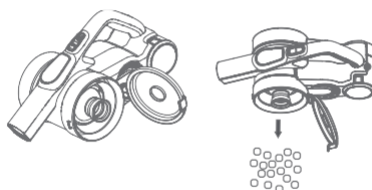
Очистка и замена частей

1. Фильтрующий элемент впуска воздуха (HEPA) продается у дистрибьютора пылесоса;
2. Рекомендуется своевременно чистить пылесборник после каждого использования; когда фильтрующий элемент засорен пылью, необходимо своевременно очистить или заменить его при необходимости; после долгого использования электрической роликовой щетки она может наматываться волосами и другими длинными волокнами, в это время её необходимо своевременно чистить, чтобы пылесос работал более эффективно.

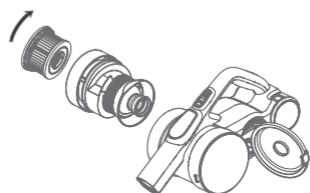
Очистка пылесборника и фильтровальной системы

1. Нажмите на нижнюю крышку пылесборника для открытия его и высыпьте пыль в мусорный бак.
2. Держите ручку фильтрующего элемента HEPA и поверните против часовой стрелки, чтобы извлечь элементы HEPA из ручного пылесоса для очистки.
3. Держите верхнюю часть циклона и поверните против часовой стрелки, чтобы вынуть циклон с ручного пылесоса для очистки.
4. При необходимости очистить фильтрующий элемент HEPA, держите его и поверните по часовой стрелке, чтобы вынуть его из ручки для очистки. Фильтрующий элемент HEPA должен быть полностью высушен после очистки для последующего использования.
5. После очистки можно снова использовать после сборки в обратном порядке разборки.

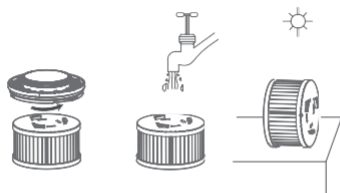
15



16



17

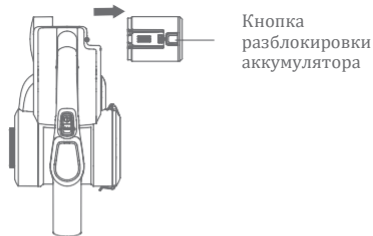


Кнопка разблокировки роликовой щетки

18



19



Очистка электрической щетки

1. Переместите спусковую кнопку вдоль направления стрелки, чтобы снять боковую крышку.
2. Снимите один конец роликовой щетки и выньте его из насадки для чистки.
3. После очистки или замены роликовой щетки соберите ее в обратной последовательности.

Разборка аккумуляторной батареи

Нажмите кнопку разблокировки аккумулятора и удалите аккумуляторную батарею в направлении, указанном на рисунке. Храните аккумулятор в сухом месте.

Хранение пылесоса

Когда пылесос не используется в течение длительного времени, извлеките аккумулятор, упакуйте устройство и храните его в прохладном и сухом месте во избежание воздействий прямых солнечных лучей или влажной среды.

Требования по технике безопасности

Данное устройство предназначено только для бытового использования. Пожалуйста, не используйте его в коммерческих или других целях.

Прежде, чем использовать данный пылесос, внимательно ознакомьтесь с руководством по эксплуатации. Сохраните его для дальнейшего ознакомления.

Не размещайте устройство близко к огню или другим нагревательным приборам.

Не используйте в средах, где температура ниже 5°C или выше 40°C. Храните в сухом прохладном месте. Запрещается длительное воздействие прямого солнечного света.

Полностью зарядите аккумулятор перед первым использованием или после длительного хранения.

Перед использованием пылесоса убедитесь, что роликовая щетка собрана, в противном случае это может привести к засорению вентилятора двигателя, что приведет к перегоранию двигателя.

Не используйте пылесос для всасывания моющих средств, керосина, стеклянного шлака, игл, сажи, влажной пыли, сточных вод, спичек и других предметов.

Не используйте пылесос для всасывания таких частиц, как цемент, гипсовый порошок, стеновой порошок, или крупные предметы, такие как игрушка, бумажный шарик. В противном случае это может привести к засорению пылесоса и перегоранию двигателя.

Избегайте засорения всасывающего отверстия или щетки, это может привести к отказу двигателя.

Не пытайтесь дотрагиваться частями тела до всасывающего отверстия при использовании пылесоса, в противном случае это может привести к травме.

Не наливайте и не разбрызгивайте воду или другие жидкости в устройство, чтобы избежать короткого замыкания и его перегорания.

Если роликовая щетка не поворачивается во время использования, пожалуйста, проверьте, не обмотана ли щетка волосами или другими длинными волокнами, и вовремя очистите их.

При длительном хранении устройства, пожалуйста, убедитесь, что аккумулятор полностью заряжен. А также убедитесь, что аккумулятор заряжается и разряжается не реже одного раза в три месяца.

Отключите зарядное устройство от сети, чтобы почистить или отремонтировать устройство. Держите вилку зарядного устройства при подключении или отключении от сети и не тяните за зарядный шнур.

Используйте сухую ткань при чистке пылесоса. Не используйте бензин, спирт, банановую эссенцию и т.д. Так как это может привести к растрескиванию или выцветанию корпуса.

Когда устройство полностью заряжено, но не может работать, его необходимо проверить и отремонтировать в назначенном пункте обслуживания. Не разбирайте устройство самостоятельно. Старый аккумулятор должен быть безопасно утилизирован.

Не используйте неоригинальный аккумулятор, чтобы избежать повреждения устройства и проблем с безопасностью.

Если сетевой шнур поврежден, он должен быть заменен и отремонтирован квалифицированным специалистом у изготовителя, его отдела обслуживания или аналогичном отделе, чтобы избежать опасности.

Транспортируйте устройство только в его оригинальной упаковке.

Не транспортируйте устройство при температуре выше 50°C или ниже 0°C.

Устранение неисправностей

Перед обращением в сервисный центр ознакомьтесь с приведенными ниже описаниями проблем и их решений.

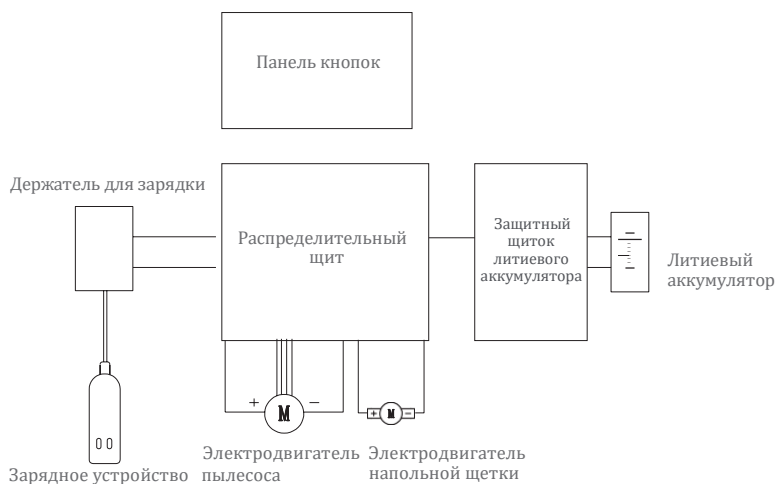
Неисправность	Возможные причины	Решения
Электродвигатель не работает	Батарея разряжена	Зарядить пылесос
Электродвигатель не работает	Металлическая труба, напольная щетка, аккумуляторная батарея и ручной пылесос установлены неправильно.	Проверить установку различных частей и ручного пылесоса
Сила всасывания снижается	Пылесборник переполнен	Очистить пылесборник
Сила всасывания снижается	Фильтрующий элемент засорен пылью	Прочистить или сменить фильтрующий элемент
Сила всасывания снижается	Воздухозаборная труба электрической щетки засорена или роликовая щетка не вращается из-за засорения	Удалить мусор, прикрепленный к электрической роликовой щетке
Короткое время работы после зарядки	Устройство не полностью заряжено	Полностью зарядите аккумулятор в соответствии с методом в разделе зарядки
Короткое время работы после зарядки	Ресурс аккумулятора исчерпан	Замените аккумулятор, можно приобрести у местного дилера

Внимание: если имеются другие неисправности, для устранения которых нужны специальные инструменты, во избежание опасности обратитесь к производителю-заводу, его сервисному отделу или аналогичному отделу за профессиональной помощью.

Технические параметры

Модель	H9 Pro
Номинальное напряжение	28.8В ---
Номинальная мощность	600Вт
Входное напряжение адаптера	100-240В ~ 50/60Гц 0.8А
Выходное напряжение адаптера	34.2В - - 600мА
Модель электрической напольной щетки	T-EB110J
Номинальная мощность электрической напольной щетки	30Вт
Емкость аккумуляторной батареи	3000мА/ч
Время зарядки	4-5 часов

Электрическая схема



Информация изготовителя

Изготовитель	Кингклин Электрик Ко., Лтд.
Адрес	№1, Сянян Роуд, Нью Дистрикт, Сучжоу, Цзянсу Провинс, Китай

Утилизация

Во избежание нанесения вреда окружающей среде или здоровью человека от неконтролируемого выброса отходов, устройство необходимо утилизировать отдельно от других отходов и надлежащим образом переработать для повторного использования



Отработанные приборы не должны выбрасываться совместно с бытовыми отходами!

Только для стран-членов ЕС

В соответствии с Европейской директивой 2012/19/EU отслужившие приборы и в соответствии с Европейской директивой 2006/66/ЕС поврежденные либо отработанные аккумуляторные батареи / батарейки необходимо собирать отдельно и утилизировать без ущерба для окружающей среды.

Аккумуляторные батареи/батарейки

Интегрированные аккумуляторные батареи разрешается извлекать для утилизации только квалифицированным персоналом. Вскрытие корпуса чревато повреждением или разрушением прибора.

Не выбрасывайте аккумуляторные батареи/батарейки в бытовой мусор, огонь или воду.

Аккумуляторные батареи/батарейки следует собирать по возможности в разряженном состоянии для вторичной переработки или утилизации экологически безопасным образом.

Возможны изменения без предварительного уведомления.

Гарантийные обязательства

Гарантийный срок на изделие составляет 1 (один) год с даты покупки.

Срок службы изделия составляет 5 (пять) лет с даты покупки.

Гарантия не предоставляется в случае естественного износа, использования в коммерческих целях, изменений первоначального состояния прибора, работ по очистке, при последствиях ненадлежащего обращения или повреждении покупателем, или третьими лицами, повреждении, вызванными внешними обстоятельствами, или из-за аккумуляторных батарей.

Как узнать дату производства из серийного номера

Этикетка с серийным номером размещается на упаковке устройства, а также на корпусе самого устройства. Дата производства закодирована в его серийном номере.

Чтобы расшифровать дату производства, ознакомьтесь с примером серийного номера, который показан ниже:



Дата производства состоит из первых 3 символов:
первый символ – год, второй символ – месяц, третий символ – день.

DVP 8 00547

D – год

V – месяц

P – день

8 – производственная линия

00547 – собственно серийный номер устройства

В нашем примере дата производства - 23 ноября 2019 года.

Воспользуйтесь информацией, приведенной в таблице ниже для расшифровки даты производства данного устройства.

Год		Месяц		Дата			
Год	Символ	Месяц	Символ	Дата	Символ	Дата	Символ
2016	A	Январь	1	1	1	17	H
2017	B	Февраль	2	2	2	18	J
2018	C	Март	3	3	3	19	K
2019	D	Апрель	4	4	4	20	L
2020	E	Май	5	5	5	21	M
2021	F	Июнь	6	6	6	22	N
2022	G	Июль	7	7	7	23	P
2023	H	Август	8	8	8	24	Q
2024	J	Сентябрь	9	9	9	25	R
2025	K	Октябрь	A	10	A	26	S
2026	L	Ноябрь	B	11	B	27	T
2027	M	Декабрь	C	12	C	28	U
2028	N			13	D	29	V
2029	P			14	E	30	W
2030	Q			15	F	31	X
2031	R			16	G		

С информацией об импортере можно ознакомиться на этикетке, расположенной на упаковке.

Сделано в Китае

Товар сертифицирован



1L-02

JIMMY



jimmy technology 

Contact us -we'll get back within 1 business day.



Web:www.jimmyglobal.com
Email:support@jimmyglobal.com