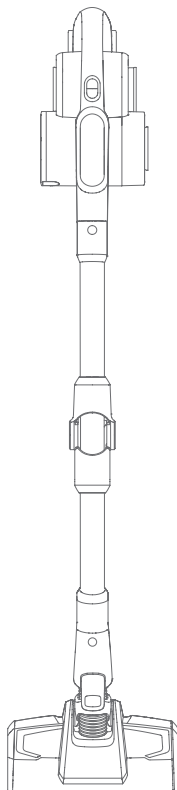


JIMMY



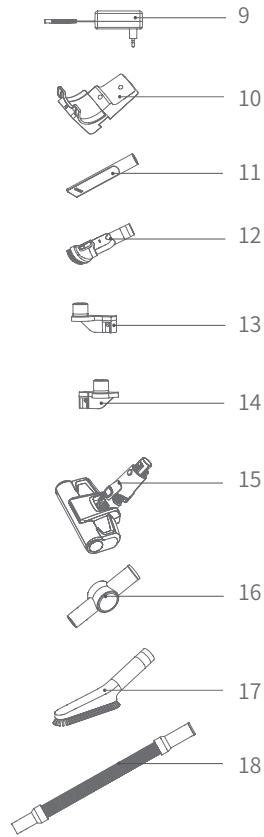
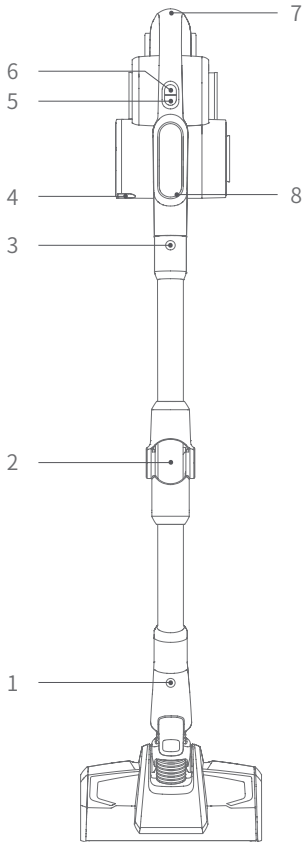
H8 Flex

Instruction Manual	Vacuum Cleaner
Instrukcja obsługi	Odkurzacz
Bedienungsanleitung	Staubsauger
Manuel d'instruction	Aspirateur
Manuale D'Uso	Scopa elettrica senza filo
Manual de instrucciones	Aspirador
Руководство по эксплуатации	Пылесос

Contents

English	2
Polski	15
Deutsch	28
Français	41
Italiano	55
Español	68
русский язык	81

Parts Name



- 1.Floor head release button
- 3.Metal tube release button
- 5.Mode button
- 7.Battery pack release button
- 9.Charger
- 11.Crevise tool
- 13.Accessory holder left
- 15.Electric mattress head
- 17.Soft brush

- 2.Flexible metal tube
- 4.Dust cup release latch
- 6.On/off button
- 8.LED screen
- 10.Charging holder
- 12.Upholstery tool
- 14.Accessory holder right
- 16.Connector
- 18.Stretch hose

Packing List

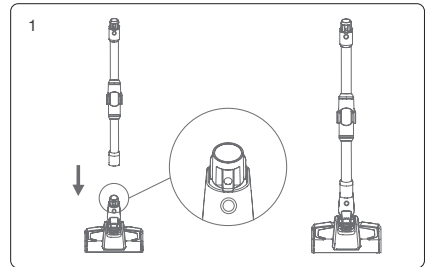
Name	Handheld Vacuum Cleaner	Electric floor head	Electric mattress head	Upholstery tool	Crevice tool
Amount	1	1	1	1	1
Name	Soft brush	Charging holder	Connector	Stretch hose	Flexible metal tube
Amount	1	1	1	1	1
Name	Charger	Screw	Expansion pipe	Instruction manual	Accessory holder
Amount	1	4	2	1	2

Product Assembly

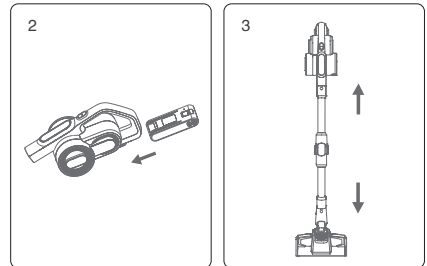
Assemble electric floor head with metal tube

Hold the floor head with left hand, use right hand to insert the metal tube vertically into floor head, align with the conductive needle, press the tube until a "click" sound is heard.

Attention: Keep the handle and floor head in the same direction, conductive needle shall align with the socket.



When packing, storing or cleaning, if the electric floor head needs to be removed, press the brush release button as shown in the picture and pull the electric floor head in the direction shown in the picture.



Assemble the battery pack and handheld vacuum cleaner

Assembly of battery pack: hold the hand-held vacuum cleaner in one hand, hold the battery pack in the other hand, aim at the guiding groove on the body, slide in the battery pack according to the arrow direction shown in the picture. Pull the battery pack after installation to make sure it does not get loose.

Attention: when the vacuum cleaner is long idled, please remove the battery, pack the product and store it in a cool and dry place, avoid direct sunlight or humid environment.

Assemble metal tube and handheld vacuum

First, assemble floor head and metal tube according to the method of assembling electric floor head and metal tube.

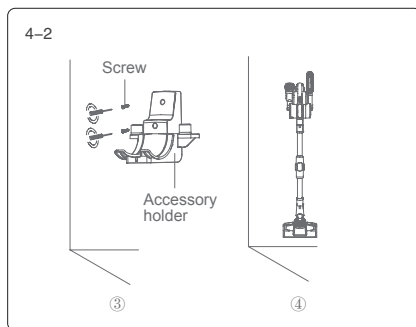
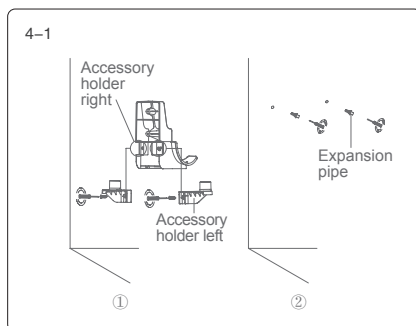
Assemble the floor head with metal tube assembly and handheld vacuum cleaner: as shown in the picture, align the conductive needle of the metal tube with the coupler of the suction nozzle, push up until a “click” sound is heard.

Charging holder assembly

Assemble accessory holders to the holer, then fasten accessory holders with screw. Put the vacuum cleaner in the holder, and lean the vacuum cleaner against the wall, place the holder in the position that vacuum cleaner floor head does not touch ground. Take off the handheld vacuum cleaner, place expansion pipe on the wall and place the holder to the expansion pipe position, then lock in the screw. After assembly completed, put the vacuum to charger holder to charge or store. (Attention: Do not fix the holder to bathroom or other humid wall.)

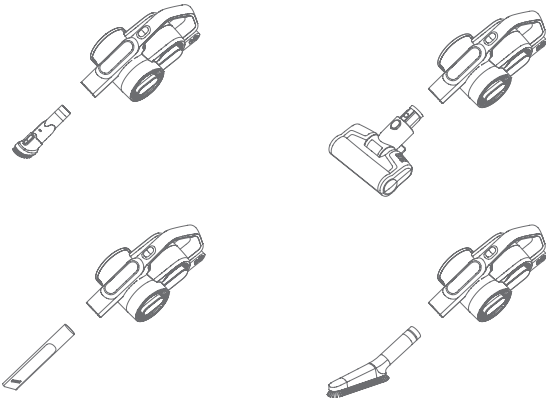
Assembly of accessories

For the convenience of use, this product is specially equipped with some accessories for the hand-held part of the vacuum cleaner. When you use the handheld vacuum cleaner alone, you can directly connect the accessories according to your needs or connect the accessories through the stretch hose.

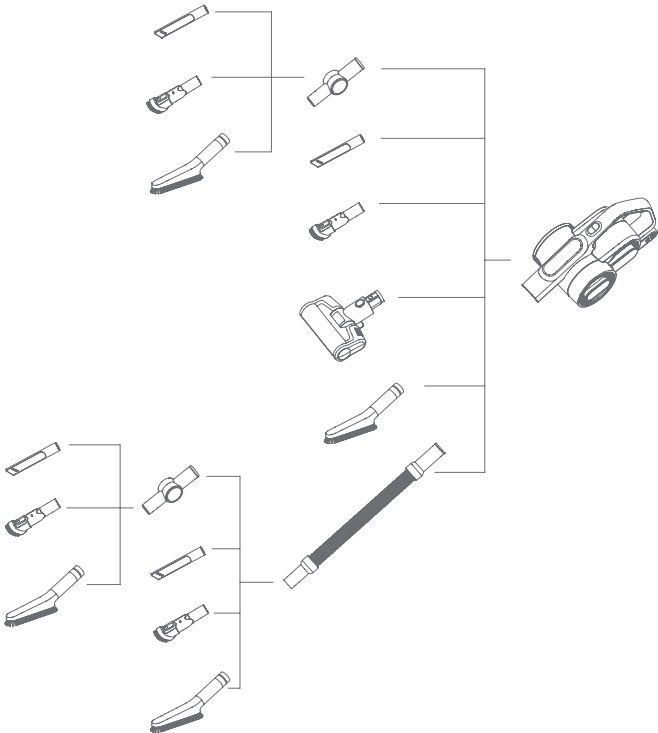


Name	model	H8 Flex
Electric mattress brush		
Upholstery tool		
Crevice tool		
Soft brush		
Stretch hose		
Connector		

Connect electric mattress head, crevice tool, upholstery tool and dusting brush to handheld vacuum as the picture.



Accessories Connection List



Use of Vacuum

Charging

Attention: When use the product for first time, battery power is not full. Need to charge the vacuum before using.

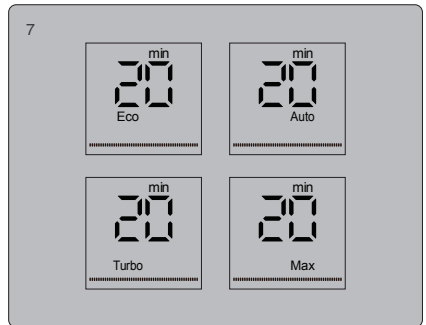
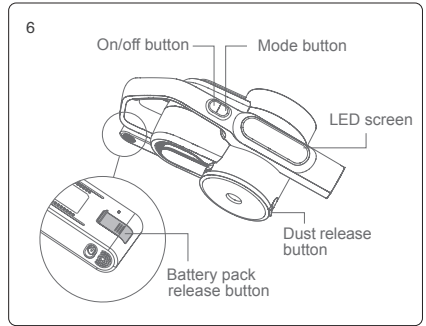
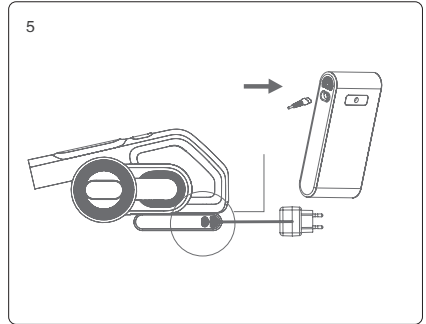
Charging of vacuum cleaner

When the vacuum cleaner power is insufficient, charge the vacuum cleaner in time ; When the voltage is too low, to protect the battery, vacuum cleaner will be automatic power-off, at this time the vacuum cleaner need to be charged. When charging, plug the charger connector into the A/C power socket, hang the handheld vacuum cleaner on the holder to start charging. When the handheld vacuum cleaner LED display shows an increase in power, it indicates that the vacuum cleaner is charging. When charging is completed, LED display show 100% power.

If battery pack is charged separately without being assembled on machine, during charging, indicator in battery pack is red and turns green after charging is completed.

Attention:

1. When battery power is below $\leq 20\%$, if product is working in Max mode , it will change to Eco mode automatically. When battery power runs off, product will turn off automatically.
2. Attention: If vacuum cleaner is long idled, charge the battery every three months to avoid battery failure.
3. After charging, please pull the charger plug off power socket and stop charging.
4. Attention: if power cord is damaged, to avoid danger, it must be replaced by professional staff of the manufacturer, repairing agent or similar department.



Use of handheld vacuum and LED screen contents

Take the vacuum cleaner off the storage holder, press the on/off button to start or stop the vacuum cleaner. Mode button can adjust working mode. When machine is turned on, it works in Auto mode, press the mode button to switch to the sequence of Turbo- Max - Eco-Auto mode. During mode switch the mode will be displayed in LED screen.

Middle of LED screen displays product run time left in current mode. When mode is changed, left run time will also change accordingly.

When product works in Max mode and battery power drops below 20%, to extend product run time, product will automatically switch from Max to Eco mode. After battery is charged to higher than 20% power, product can work in Max mode.

When the product is working in Auto mode, it will adjust working power basing on the dust content and the floor type it detects, in order to achieve higher cleaning efficiency. Under Auto mode, LED screen display Auto regardless how high the working power is.

The product is equipped with dust content sensor. On LED screen bottom there is a light strip to display the dust content. As dust content decreases from high to low, the red colour decreases and blue colour increases. When the strip is completely blue, the cleaning surface is clean. Cleanness of the cleaning surface can be visually displayed through LED screen.

Use of flexible metal tube

The flexible metal tube has two modes: vertical and bending. The vertical mode is equivalent to the normal metal tube. The bending mode can be used for cleaning under the table bottom, bed bottom, etc. When the bending mode is needed, press the bending button as shown in the g picture, and the metal tube can achieve 0-90°bending angle.

Use of electric floor head

Electric floor head is suitable to clean all kinds of floor like hard floor, tile and carpet etc. Product comes with an extra carpet brushroll can be replaced to the floor head to deep clean carpet.

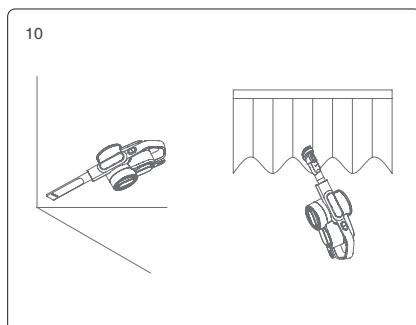
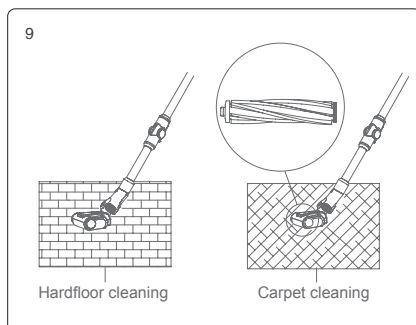
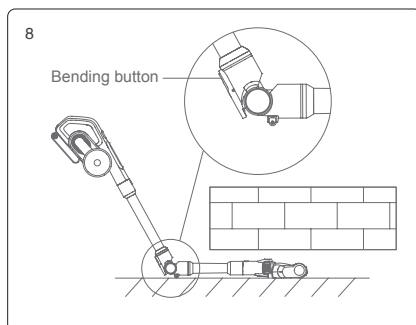
Attention: During the operation of the electric floor head, if there is a large volume of foreign matter inhaled or too much fiber wound, or even a child in the play of the machine mistakenly put his hand into the nozzle, resulting in the brushroll abnormal stop, the electric floor head will stop working, in order to protect personal safety and brush motor.

Use of accessories

Crevice tool: suitable for cleaning crevice, door or window corners and other narrow gaps.

Upholstery tool: suitable for cleaning closet, windowsill, sofa and table surface.

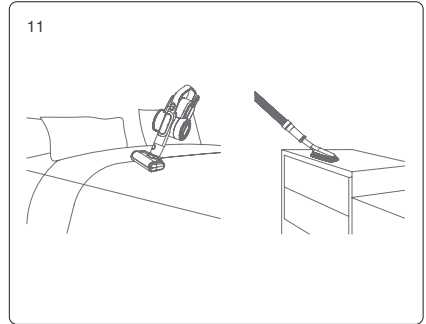
Soft brush: suitable for cleaning easy to scratch furniture like bookshelf, handicraft etc.



Stretch hose: suitable for connecting with other tools to clean hard to reach areas.

Electric mattress head: Suitable for sofa and bed mattress. The brushroll beats out and then cleans the dust mite and allergen from deep sofa or bed.

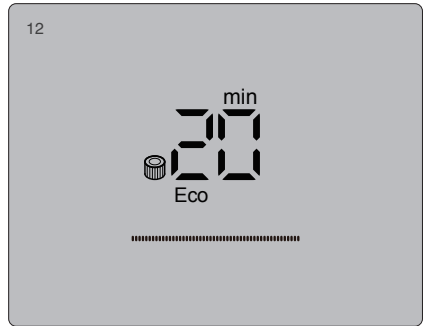
Connector: Can be connected to other tools and bend to different angle to clean dust on top of high cabinets or dust on the roof.



Cleaning and Replacing Parts

Attention:

1. HEPA filter is available for sale from local vacuum cleaner distributors.
2. It is recommended to clean the dust cup after each use; When the dust cup is full or the HEPA filter is clogged, it needs to be cleaned and replaced if necessary.
3. Electric floor head brushroll might be entangled with hair after long time use. It needs to be cleaned in time to keep the vacuum working more efficiently.

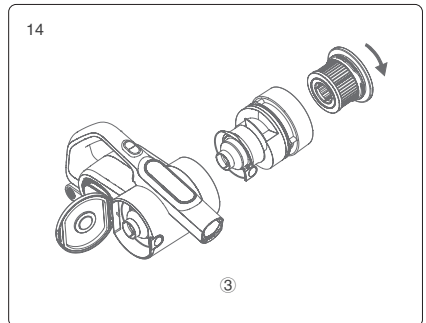
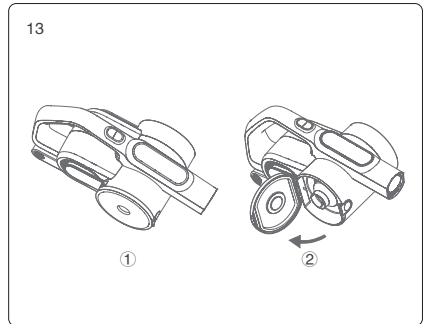


Clean dust cup and filtration system

When dust cup is full or HEPA is clogged, LED screen will display HEPA icon as the picture to remind to clean dust cup and filter. Please clean dust cup and HEPA filter in time. Replace HEPA filter if necessary.

Steps of cleaning dust cup and filtration system:

1. Press down the dust cup bottom cover, open dust cup and dump dust into trash can.
2. Hold HEPA lid and rotate anti-clockwise, remove HEPA assembly from handheld vacuum for cleaning.
3. Hold top of cyclone assembly and rotate anti-clockwise, remove cyclone assembly from handheld vacuum for cleaning.
4. If HEPA needs wash, hold the HEPA and rotate clockwise, remove it from HEPA lid for washing. HEPA needs completely dry before reuse.
5. After cleaning, assemble the parts back in the opposite sequence of disassembly.



Clean brushroll

1. Move the brushroll release button along the arrow direction remove side cover.
2. Remove one end of the brushroll and take it out from nozzle for cleaning.
3. After cleaning or replacing brushroll, assemble it back in opposite sequence of disassembly.

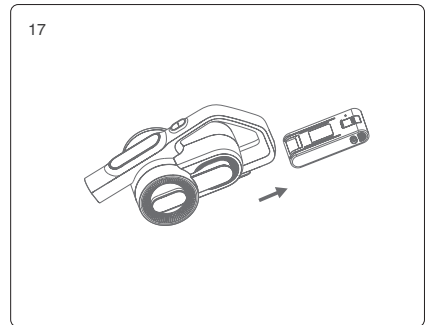
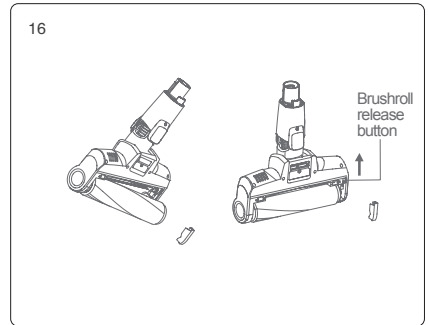
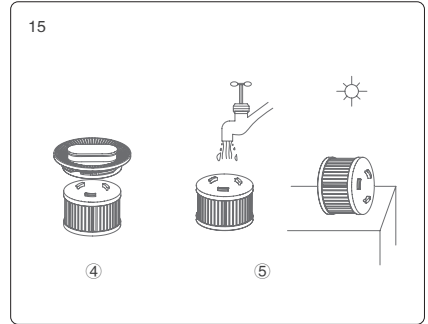
Storage of Vacuum Cleaner

Battery pack disassembly

Press the battery release button, remove the battery pack in the arrow direction and place the battery in a plastic bag, then store it in a dry place.

Storage of vacuum cleaner

When the vacuum is long idled, remove the battery, pack the product and store it in a cool and dry place, do not put in direct sunlight or humid environment.



Safety Notes

This vacuum cleaner is designed for home use. Do not use it for commercial or other purposes.

Please read this instruction manual carefully before use, properly save and store it for future use.

Do not put the vacuum close to fire or other high temperature facility.

Do not use or store the machine under extreme bad conditions, for example, extreme temperature. It is recommended to use it indoors between the temperature of 5 °C to 40 °C. Store the machine in dry place and avoid direct sunlight.

Fully charge the battery before first use or after long storage.

Before using the vacuum, make sure brushroll is assembled, otherwise, it may lead to motor fan blockage, causing motor burn out.

Please do not use the vacuum to pick up detergent, oil, glass slag, needle, cigarette ash, wet dust, water, matches, etc.

Please do not use the vacuum to pick up tiny particles such as cement, gypsum powder, wall powder, or large objects such as paper balls, otherwise it will cause malfunctions such as blockage and motor burnout.

Avoid blockage to air inlet or brushroll, it may cause motor failure.

Do not put your hand or foot into floorhead inlet to avoid body hurt.

Do not pour or splash water or other liquids into the machine to avoid short circuit to burn out the machine.

If the brushroll is not working, please check whether the brushroll is entangled with hair or other long fiber, clean it in time.

When storing the machine for a long time, ensure that the battery is fully charged before storage and charge the machine at least every three months.

Unplug the charger to clean or repair the machine. Hold the charger when plugging or unplugging it, and do not pull the charging cord.

Use a dry cloth to clean the machine. Liquids like gasoline, alcohol, lacquer thinner will cause crack or colour fading and cannot be used.

If the machine is not working after fully charged, it must be checked and repaired in our designated office, please do not dismantle the machine on your own.

Discarded machine contains batteries. They should be recycled safely. Do not discard them randomly.

If there is damage on power cord, to avoid danger, it should be replaced or repaired by manufacturer, repairing agency or professional person.

This appliance can be used by children aged from 8 years and above and persons with reduced physical, sensory or mental capabilities or lack of experience and knowledge if they have been given supervision or instruction concerning use of the appliance in a safe way and understand the hazards involved.

The appliance is only to be used with the power supply unit provided.

Trouble Shooting

Please check the following issues before sending to designated repair agent.

Trouble	Possible Causes	Solutions
Motor does not work	Battery has no power	Charge the vacuum cleaner
	Metal tube, floorhead, battery pack and vacuum cleaner is not assembled correctly	Check the accessories are assembled correctly to the vacuum cleaner
Suction drops	Dust cup full	Clean dust cup
	Filter blocked	Clean or replace filter
	Floorhead air path blocked	Clean floorhead air path
Short working time after charging	Machine not fully charged	Follow instruction manual to fully charge the battery
	Battery old aging	New batteries can be bought from local distributor
Dust content indicator is always red	Dust sensor covered by dust	Clean the dust on the dust sensor which is located in the suction inlet of the handheld vacuum cleaner

When there is electric components defect, which needs professional after service person for instruction or repairing, LED screen will display the defect warning with error code of F1 to F8. Please contact after service of local agent and provide error code.

Defect of F1 to F8 is as following:

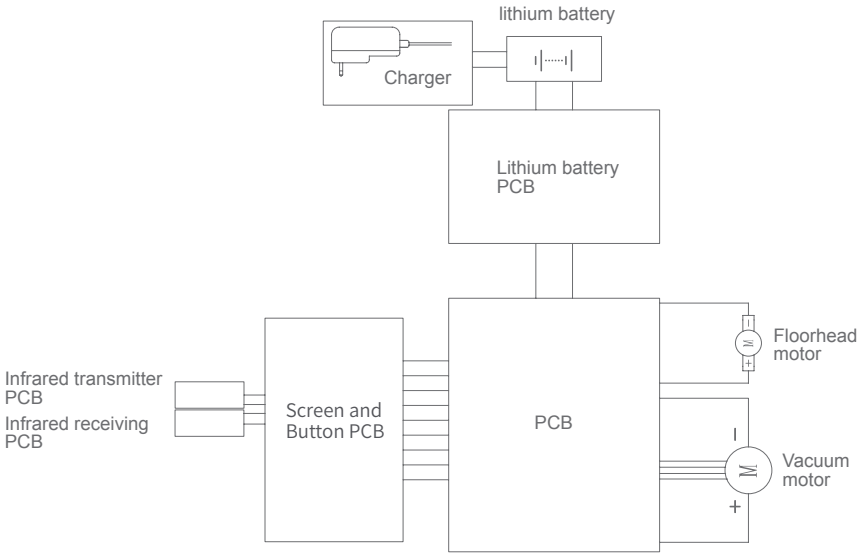
Code	Defect	Solutions
F1	Battery pack nickel strip broken	Replace or repair battery pack
F2	Charger defect	Replace charger
F3	Vacuum motor short circuit	Replace vacuum motor
F4	Battery cell defect	Replace or repair battery pack
F5	Vacuum motor 1st over current protection	Replace vacuum motor
F6	Vacuum motor 2nd over current protection	Replace vacuum motor
F7	PCB defect or PCB leadwire loose	Replace PCB or PCB leadwire
F8	Battery pack NTC abnormal	Turn off the vacuum and wait until battery pack cooled down. Turn on again.If error code still appears, replace battery pack

Attention: if there are other faults needs special tools, in order to avoid danger, must be repaired by professional people of manufacturer, repairing agent or similar agent.

Technical Parameter

Model No	H8 Flex
Rated voltage	25.2V \pm 3%
Rated power	550W
Charger input voltage	100-240V ~ 50/60Hz
Charger output voltage	30V \pm 3% 600mA
Electric floor head model No	T-EB110VE
Electric floor head rated power	30W
Battery pack capacity	2500mAh
Charge time	4-5h

Circuit Diagram



Manufacturer Information

Manufacturer	Kingclean Electric Co., Ltd
Address	No.1 Xiangyang Road, Suzhou New District, Jiangsu Province 215009, China



Disposal

The machine, accessories and packaging should be sorted for environmental-friendly recycling.



Do not dispose of the machine into household waste!

Only for EC countries:

According to the European Guideline 2012/19/EU, machine that are no longer usable, and according to the European Guideline 2006/66/EC, defective or used battery packs/batteries, must be collected separately and disposed of in an environmentally correct manner.

Battery packs/batteries:

Integrated batteries may only be removed for disposal by qualified personnel.

Opening the housing shell can damage or destroy the machine.

Do not dispose of battery packs/batteries into household waste, fire or water. Battery packs/batteries should, if possible, be discharged, collected, recycled or disposed of in an environmental-friendly manner.

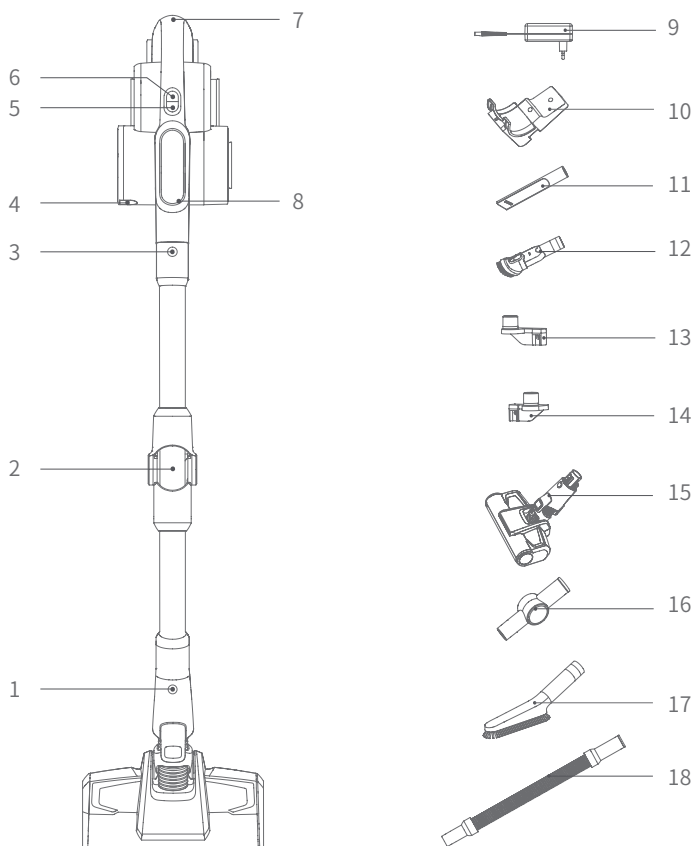
Subject to change without notice.

Warranty Information

This product enjoys two year warranty from the date of purchase.

Excluded from the guarantee is normal wear, commercial use, alterations to the appliance as purchased, cleaning activities, consequences of improper use or damage by the purchaser or a third person, damage that can be attributed to external circumstances.

Części odkurzacza



- 1.Przycisk zwalnający głowicę do podłóg
3. Przycisk zwalnający metalową rurę
- 5.Przycisk włączania/wyłączania
- 7.Przycisk zwalnający akumulator
- 11.Ssawka szczelinowa
- 13.Lewy uchwyt na akcesorium
- 15.Elektryczna głowica do materacy
- 17.Miękka szczotka

- 2.Elastyczna rura metalowa
- 4.Zatrzask zwalnający pojemnik na brud
- 6.Przełącznik
- 8.Ekran LED
- 10.Uchwyt do ładowania
- 12.Ssawka do tapicerki
- 14.Prawy Uchwyt na akcesorium
- 16.Łącznik
- 18.Wąż rozciągliwy

Packing List

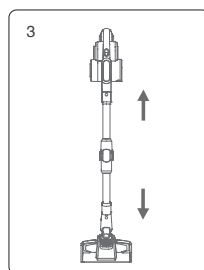
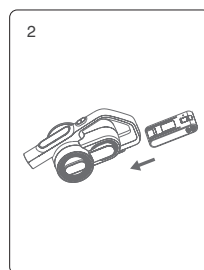
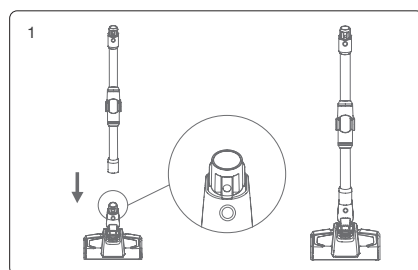
Nazwa	Odkurzacz przenośny	Elektryczna głowica do podłóg	Elektryczna głowica do materacy	Ssawka do tapicerki	Ssawka szczelinowa
Ilość	1	1	1	1	1
Nazwa	Miękka szczotka	Uchwyt do ładowania	Łącznik	Wąż rozciągliwy	Elastyczna metalowa rura
Ilość	1	1	1	1	1
Nazwa	Ładowarka	Śruby	Rura rozprężna	Instrukcja obsługi	Uchwyt na akcesoria
Ilość	1	4	2	1	2

Montaż produktu

Zmontuj elektryczną głowicę podłogową z metalową rurą

Przytrzymaj lewą ręką głowicę podłogową, prawą ręką włóż pionowo metalową rurę do głowicy podłogowej, wyrównaj z igłą przewodzącą, wciśnij rurę aż do usłyszenia dźwięku "kliknięcia".

Uwaga: trzymaj uchwyt i głowicę podłogową w tym samym kierunku, igła przewodząca powinna być w jednej linii z gniazdem.



Podczas pakowania, przechowywania lub czyszczenia, jeśli konieczne jest wyjęcie elektrycznej głowicy podłogowej, należy nacisnąć przycisk zwalnający szczotkę, jak pokazano na rysunku, i pociągnąć elektryczną głowicę podłogową w kierunku pokazanym na rysunku.

Montaż akumulatora z odkurzaczem

Montaż akumulatora: jedną ręką trzymaj odkurzacz, drugą trzymaj akumulator, wyceluj w rowek prowadzący na korpusie, wsuń akumulator zgodnie z kierunkiem strzałki pokazanym na rysunku. Wyciągnij akumulator po instalacji, aby upewnić się, że się nie poluzuje.

Uwaga: gdy odkurzacz długo pracuje na biegu jałowym, należy wyjąć akumulator, zapakować produkt i przechowywać go w chłodnym i suchym miejscu, unikając bezpośredniego nasłonecznienia i wilgotnego otoczenia.

Zmontuj metalową rurę i odkurzacz ręczny

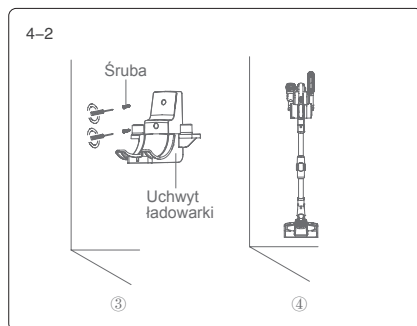
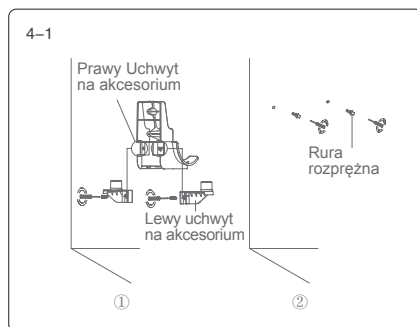
Najpierw należy zmontować głowicę podłogową i metalową rurę zgodnie z metodą montażu

elektrycznej głowicy podłogowej i metalowej rury.

Zmontuj głowicę podłogową z metalową rurą i odkurzaczem ręcznym: jak pokazano na rysunku, ustaw igłę przewodzącą metalowej rury w jednej linii z łącznikiem dyszy ssącej, wciśnij do góry, aż usłyszysz dźwięk "kliknięcia".

Zespół uchwytu do ładowania

Zamontuj uchwyt na akcesoria w stojaku, a następnie przymocuj go śrubami. Umieść odkurzacze w uchwycie i oprzyj go o ścianę, ustaw uchwyt w takiej pozycji, aby głowica odkurzacza nie dotykała podłoża. Zdejmij odkurzacze ręczne, umieść rurę rozprężną na ścianie i ustaw uchwyt w pozycji rury rozprężnej, a następnie zablokuj śrubę. Po zakończeniu montażu włóż odkurzacze do uchwytu ładowarki, aby go naładować lub przechować. (Uwaga: nie należy mocować uchwytu do ściany w łazience lub innej wilgotnej ścianie).

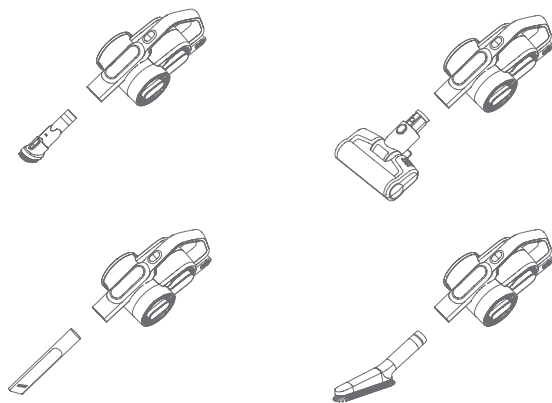


Montaż akcesoriów

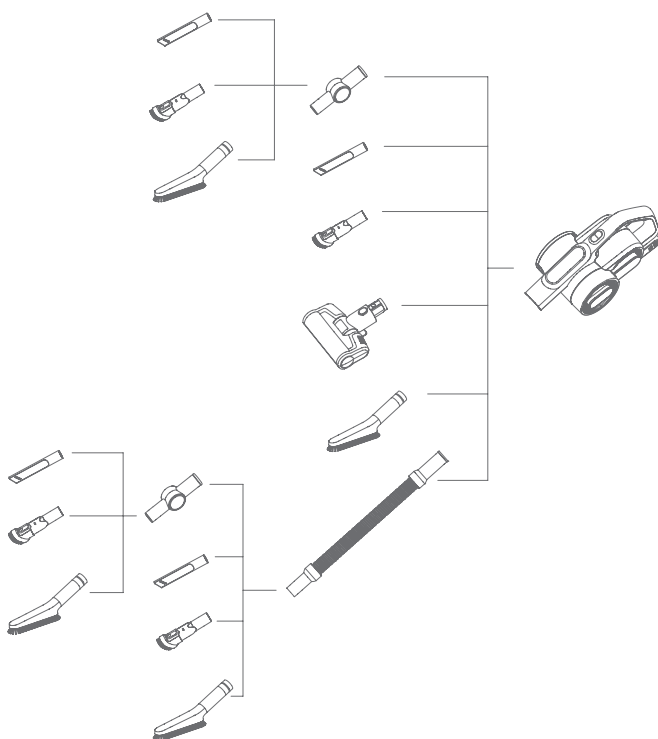
Dla wygody użytkownika ten produkt jest specjalnie wyposażony w akcesoria do ręcznej części odkurzacza. Gdy używasz samego odkurzacza ręcznego, możesz bezpośrednio podłączyć akcesoria zgodnie z własnymi potrzebami lub podłączyć akcesoria za pomocą elastycznego węża.

Nazwa modelu	H8 Flex
Elektryczna głowica do materacy	
Ssawka do tapicerki	
Ssawka szczelinowa	
Miękka szczotka	
Wąż rozciągliwy	
Łącznik	

Podłącz elektryczną głowicę do materacy, ssawkę szczelinową, ssawkę do tapicerki i szczotkę do odkurzacza ręcznego, tak jak pokazano na rysunku.



Lista połączeń akcesoriów



Zastosowanie odkurzacza

Ładowanie

Uwaga: Przed pierwszym użyciem należy naładować odkurzacz.

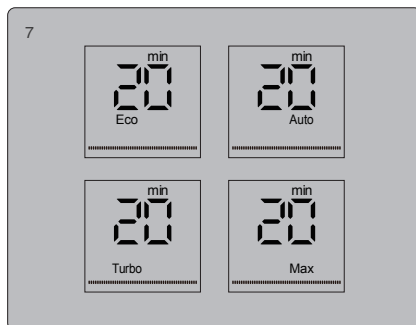
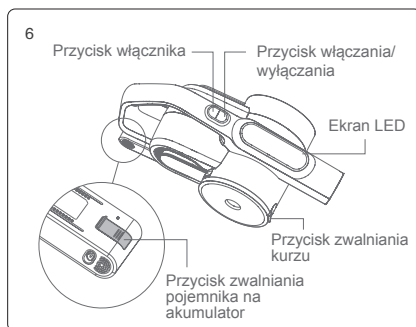
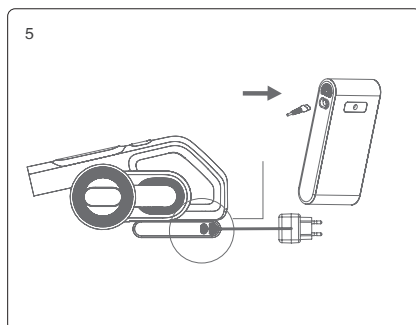
Ładowanie odkurzacza

Gdy moc jest zbyt niska, aby chronić akumulator, odkurzacz zostanie automatycznie wyłączony. W tym czasie należy go naładować. Podczas ładowania podłącz wtyczkę ładowarki do gniazda prądu przemiennego, podłącz drugi koniec ładowarki do akumulatora, aby rozpocząć ładowanie. Gdy na wyświetlaczu LED odkurzacza ręcznego pojawi się zwiększona moc, oznacza to, że odkurzacz jest w trakcie ładowania. Po zakończeniu ładowania na wyświetlaczu LED pojawi się 100% mocy.

Jeżeli akumulator jest ładowany oddzielnie bez montażu na maszynie, podczas ładowania wskaźnik w akumulatorze świeci na czerwono i po zakończeniu ładowania zmienia kolor na zielony.

Uwaga:

1. Gdy poziom naładowania akumulatora spadnie poniżej $\leq 20\%$, jeśli produkt pracuje w trybie, zostanie on automatycznie przełączony na inny tryb. Gdy poziom naładowania akumulatora spadnie, urządzenie wyłączy się automatycznie.
2. Jeśli odkurzacz długo pracuje na biegu jałowym, należy ładować akumulator co trzy miesiące, aby uniknąć awarii akumulatora.
3. Po naładowaniu należy wyjąć wtyczkę ładowarki z gniazdka i zakończyć ładowanie.
4. Jeśli przewód zasilający jest uszkodzony, aby uniknąć niebezpieczeństwa, musi zostać wymieniony przez profesjonalny personel producenta, przedstawiciela handlowego lub podobny dział.



Korzystanie z odkurzacza ręcznego i zawartość ekranu LED

Zdejmij odkurzacz z uchwytu, naciśnij przycisk włączania/wyłączania, aby uruchomić lub zatrzymać odkurzacz. Przycisk trybu pracy umożliwi regulację trybu pracy. Kiedy urządzenie jest włączone, pracuje w trybie, naciśnij przycisk trybu, aby przełączyć się na inny tryb pracy. Podczas przełączania trybów pracy na ekranie LED wyświetlany jest tryb pracy.

W środkowej części ekranu LED wyświetlany jest czas pracy produktu w bieżącym trybie. Po zmianie trybu pracy pozostały czas pracy również ulegnie zmianie.

Gdy produkt pracuje w trybie , a poziom naładowania akumulatora spadnie poniżej 20%, aby wydłużyć czas pracy produktu, urządzenie automatycznie przełączy się z tego trybu. Po naładowaniu akumulatora do poziomu powyżej 20% produkt może pracować w tym trybie.

Gdy produkt pracuje w trybie, dostosowuje moc roboczą w zależności od zawartości kurzu i rodzaju podłogi, którą wykryje, aby osiągnąć wyższą skuteczność czyszczenia. W tym trybie na ekranie LED wyświetlana jest informacja o tym, jak wysoka jest moc robocza.

Produkt jest wyposażony w czujnik zawartości kurzu. W dolnej części ekranu LED znajduje się pasek świetlny do wyświetlania zawartości kurzu.

W miarę zmniejszania się zawartości kurzu z wysokiej do niskiej, kolor czerwony zmniejsza się, a niebieski zwiększa. Gdy pasek jest całkowicie niebieski, oznacza to, że powierzchnia czyszcząca jest czysta. Czystość powierzchni czyszczącej można wizualnie sprawdzić na ekranie LED.

Zastosowanie elastycznej metalowej rurki

Elastyczna metalowa rurka ma dwa tryby pracy: pionowy i zginany. Tryb pionowy odpowiada zwykłej rurze metalowej. Tryb zginania może być używany do czyszczenia pod dnem stołu, dnem łóżka itp. Kiedy potrzebny jest tryb zginania, należy nacisnąć przycisk zginania, jak pokazano na rysunku g, a metalowa rura może osiągnąć kąt zgięcia 0-90°.

Użycie elektrycznej głowicy do podłóg

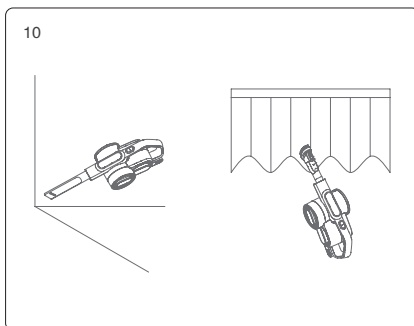
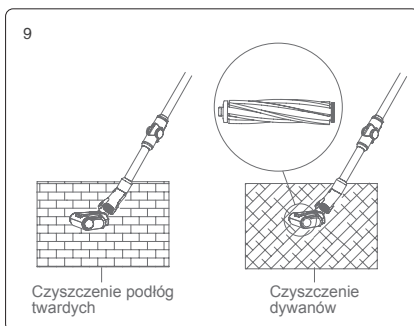
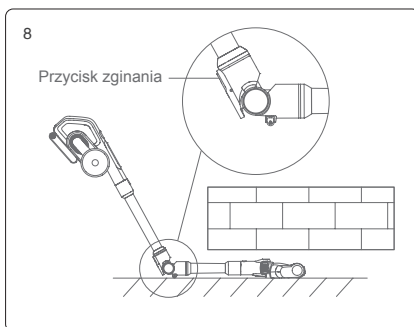
Elektryczna głowica podłogowa nadaje się do czyszczenia wszystkich rodzajów podłóg, takich jak podłogi twarde, płytki, dywany itp. Do produktu dołączony jest dodatkowy wałek szczotki do dywanów w celu dogłębnego czyszczenia dywanów.

Uwaga: Podczas pracy elektrycznej głowicy podłogowej, jeśli jest zbyt duża ilość wciąganych ciał obcych, zbyt dużo nawiniętych włókien lub nawet gdy dziecko omyłkowo włoży rękę dodysz, co spowoduje nieprawidłowe zatrzymanie rolki szczotki, elektryczna głowica podłogowa przestanie działać, w celu ochrony bezpieczeństwa osobistego i silnika szczotki.

Stosowanie akcesoriów

Ssawka szczelinowa: odpowiednie do czyszczenia szczelin, narożników drzwi lub okien oraz innych wąskich szczelin.

Ssawka tapicerska: odpowiednie do czyszczenia szafy, parapetu, kanapy i powierzchni stołu. Miękka szczotka: odpowiednia do czyszczenia łatwych do zarysowania mebli, takich jak półki na książki,



rękodzieło itp.

Rozciągliwy wąż: odpowiedni do łączenia z innymi narzędziami do czyszczenia trudno dostępnych miejsc.

Elektryczna głowica do materacy: Odpowiednia do sof i materacy łóżkowych. Walec szczotki wylapuje, a następnie czyści roztocza i alergeny z głębokiej sofy lub łóżka.

Łącznik: Można go podłączyć do innych narzędzi i zginać pod różnym kątem, aby usunąć kurz z wysokich szafek lub z dachu.

Czyszczenie i wymiana części

Uwaga:

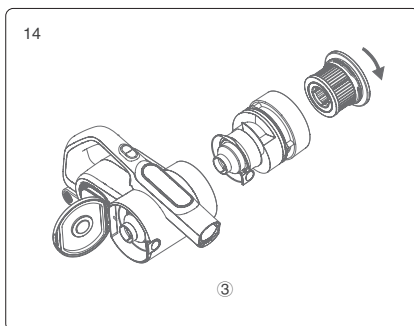
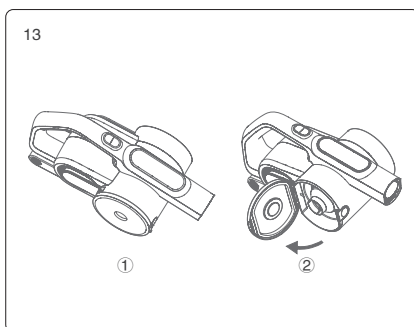
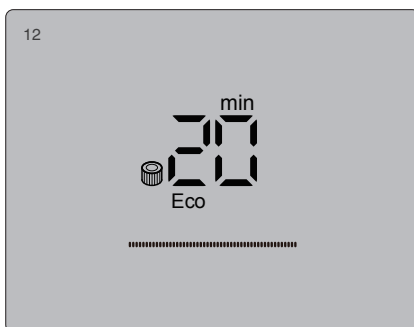
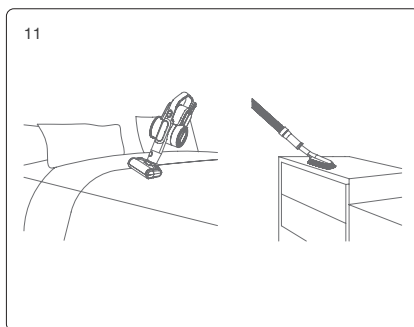
1. Filtr HEPA jest dostępny w sprzedaży u lokalnych dystrybutorów odkurzaczy.
2. Zaleca się czyszczenie pojemnika na kurz po każdym użyciu; gdy pojemnik na kurz jest pełny lub filtr HEPA jest zatkany, należy go wyczyścić i w razie potrzeby wymienić.
3. Po dłuższym używaniu elektrycznego walca szczotki głowicy podłogowej mogą się w nim zaplątać włosy. Należy go w porę wyczyścić, aby odkurzacz pracował wydajniej.

Czyszczenie pojemnika na kurz i systemu filtracji

Gdy zbiornik na kurz jest pełny lub filtr HEPA jest zatkany, na ekranie LED pojawi się ikona HEPA, aby przypomnieć o konieczności wyczyszczenia zbiornika na kurz i filtra. Należy w porę wyczyścić pojemnik na kurz i filtr HEPA. W razie potrzeby wymienić filtr HEPA.

Kroki czyszczenia pojemnika na kurz i systemu filtrującego:

1. Naciśnij dolną pokrywę zbiornika na kurz, otwórz zbiornik i wyrzuć kurz do kosza na śmieci.
2. Przytrzymaj pokrywę HEPA i obróć ją w kierunku przeciwnym do ruchu wskazówek zegara, aby wyjąć zespół HEPA z odkurzacza ręcznego w celu wyczyszczenia zegara, aby wyjąć zespół HEPA z odkurzacza ręcznego w

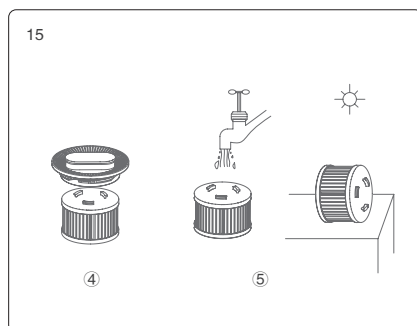


celu wyczyszczenia.

3. Przytrzymaj górną część zespołu cyklonu i obróć w kierunku przeciwnym do ruchu wskazówek zegara, aby wyjąć zespół cyklonu z odkurzacza ręcznego w celu wyczyszczenia.

4. Jeśli filtr HEPA wymaga mycia, należy go przytrzymać i obracając w kierunku zgodnym z ruchem wskazówek zegara, zdjąć z pokrywy w celu umycia. Przed ponownym użyciem filtr HEPA musi całkowicie wyschnąć.

5. Po wyczyszczeniu należy zmontować części z powrotem w kolejności odwrotnej do demontażu.

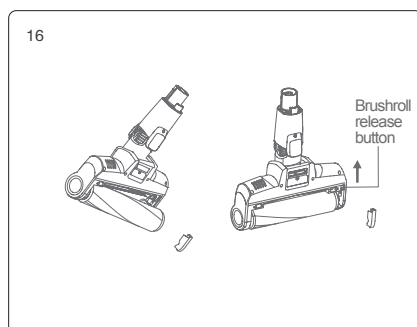


Wyczyść wałek szczotki

1. Przesuń przycisk zwalniający wałek szczotki zgodnie z kierunkiem strzałki i zdejmij pokrywę boczną.

2. Zdejmij jeden koniec wałka szczotki i wyjmij go z dyszy w celu wyczyszczenia.

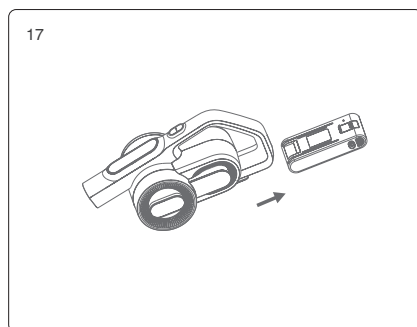
3. Po wyczyszczeniu lub wymianie wałka szczotki zamontuj go z powrotem, zachowując kolejność odwrotną do demontażu.



Przechowywanie odkurzacza

Demontaż akumulatora

Naciśnij przycisk zwalniania akumulatora, wyjmij akumulator zgodnie z kierunkiem strzałki i umieść go w plastikowej torbie, a następnie przechowuj w suchym miejscu.



Przechowywanie odkurzacza

Gdy odkurzacz jest długo nieużywany, wyjmij akumulator, zapakuj produkt i przechowuj go w chłodnym i suchym miejscu, nie wystawiaj na bezpośrednie działanie promieni słonecznych ani nie przechowuj w wilgotnym otoczeniu.

Środki bezpieczeństwa

Ten odkurzacz jest przeznaczony wyłącznie do użytku domowego. Nie należy używać go do celów komercyjnych.

Ten odkurzacz jest przeznaczony wyłącznie do użytku domowego. Nie należy używać go do

celów komercyjnych.

Przed użyciem należy dokładnie przeczytać niniejszą instrukcję obsługi i prze chowywać w celu wykorzystania w przyszłości.

Nie należy umieszczać odkurzacza w pobliżu ognia lub innego obiektu o wysokiej temperaturze.

Nie należy używać ani przechowywać urządzenia w niebezpiecznych warunkach, na przykład w wysokiej temperaturze. Zaleca się korzystanie z urządzenia w pomieszczeniach zamkniętych w temperaturze od 5°C do 40°C. Urządzenie należy przechowywać w suchym miejscu i unikać bezpośredniego działania promieni słonecznych.

Przed pierwszym użytkowaniem lub po długim przechowywaniu należy naładować akumulator do pełna.

Przed użyciem odkurzacza należy upewnić się, że szczotka jest prawidłowo zmontowana. W przeciwnym razie może dojść do zablokowania wentylatora silnika, co doprowadzi do jego spalania.

Nie należy używać odkurzacza do zbierania detergentów, oleju, szklanych elementów, igliwia, popiołu papierosowego, mokrego pyłu, wody, zapalek itp.

Nie należy używać odkurzacza do zbierania drobnych cząstek, takich jak cement, proszek gipsowy, proszek ścienny, ani dużych przedmiotów, takich jak kulki papieru, ponieważ może to spowodować nieprawidłowe działanie, takie jak zablokowanie i spalenie silnika.

Należy uważać, aby nie blokować wlotu powietrza szczotki, ponieważ może to spowodować awarię silnika.

Nie należy wkładać ręki ani stopy do wlotu powietrza szczotki, aby uniknąć obrażeń ciała.

Nie należy wlewać wody lub innych płynów do wnętrza urządzenia, aby uniknąć zwarcia i spalania urządzenia.

Jeśli szczotka nie działa, sprawdź, czy w wałek nie zaplątały się włosy lub inne długie włókna i wyczyść ją.

W przypadku dłuższego przechowywania urządzenia należy upewnić się, że akumulator jest w pełni naładowany oraz ładować urządzenie co najmniej raz na trzy miesiące.

Odłącz ładowarkę, aby wyczyścić lub naprawić urządzenie. Podczas podłączenia lub odłączania ładowarki należy trzymać ją w ręku i nie ciągnąć za przewód.

Do czyszczenia urządzenia należy używać suchej szmatki. Do czyszczenia nie wolno wykorzystywać substancji takich jak benzyna, alkohol czy rozcieńczalnik do lakieru, ponieważ spowodują pęknięcia lub wyblaknięcie koloru.

Jeśli urządzenie nie uruchamia się po pełnym naładowaniu, należy je sprawdzić i naprawić w autoryzowanym serwisie. Nie należy demontować urządzenia na własną rękę.

Urządzenie posiada akumulator. Należy je bezpiecznie poddać recyklingowi. Nie należy ich wyrzucać razem z odpadami domowymi.

W przypadku uszkodzenia przewodu zasilającego, aby uniknąć niebezpieczeństwa, powinien on zostać wymieniony lub naprawiony przez producenta, lub autoryzowany serwis.

Urządzenie może być dopuszczone do użytku przez dzieci w wieku od 8 lat wzwyż oraz osoby o ograniczonych zdolnościach fizycznych, sensorycznych lub umysłowych, a także osoby nieposiadające doświadczenia i wiedzy, jeżeli otrzymały one nadzór lub instrukcję dotyczącą bezpiecznego korzystania z urządzenia i rozumieją związane z tym zagrożenia.

Urządzenie może być ładowane wyłącznie poprzez zasilacz, który znajduje się w zestawie.

Rozwiązywanie problemów

Przed wysłaniem odkurzacza do wyznaczonego punktu serwisowego należy sprawdzić następujące problemy.

Problem	Możliwa przyczyna	Rozwiązania
Silnik nie pracuje	Rozładowany akumulator	Naładuj odkurzacza
	Metalowa rura, głowica do podłóg, akumulator i odkurzacza nie są zamontowane prawidłowo	Sprawdź czy akcesoria są prawidłowo zamontowane
Siła ssania spadła	Pełen pojemnik na brud	Wyczyść pojemnik na brud
	Zablokowany filtr	Wyczyść lub wymień filtr
	Zablokowany wlot powietrza w głowicy do podłóg	Wyczyść wlot powietrza głowicy do podłóg
Krótki czas pracy po naładowaniu	Odkurzacza nie został w pełni naładowany	Naładuj odkurzacza w pełni
	Battery old aging Zużyty akumulator	Nowy akumulator można zakupić u lokalnego dystrybutora
Wskaźnik zawartości kurzu jest stale czerwony	Czujnik kurzu jest pokryty kurzem	Wyczyść kurz z czujnika

W przypadku uszkodzenia elementów elektrycznych, które wymagają fachowej obsługi lub naprawy, na ekranie LED zostanie wyświetlone ostrzeżenie o usterce z kodem błędów od F1 do F8. Należy skontaktować się z lokalnym serwisem i podać kod błędów.

Usterki od F1 do F8 są następujące:

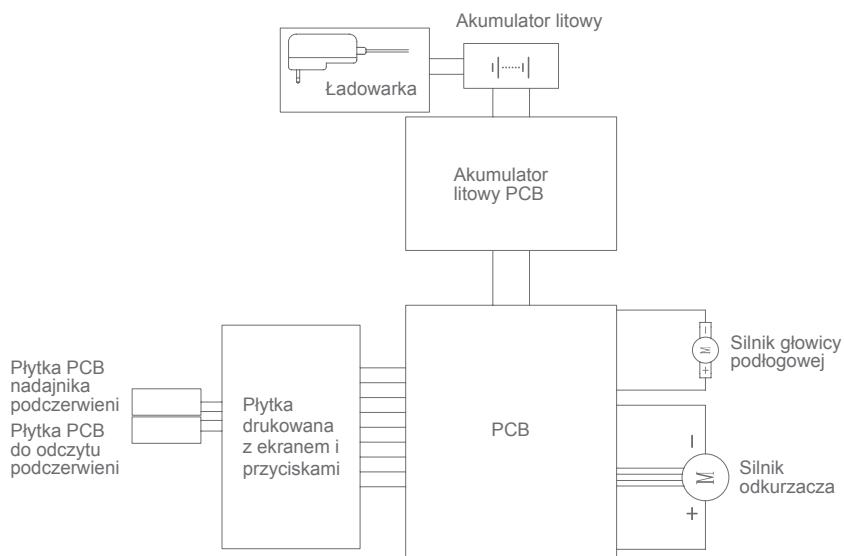
Kod	Usterka	Rozwiązania
F1	Uszkodzony pasek nikłowy akumulatora	Wymień lub napraw akumulator
F2	Usterka ładowarki	Wymień ładowarkę
F3	Zwarcie silnika próżniowego	Wymień silnik odkurzacza
F4	Uszkodzenie ogniwa akumulatora	Wymień lub napraw akumulator
F5	Pierwsze zabezpieczenie nadprądowe silnika odkurzacza	Wymień silnik odkurzacza
F6	Drugie zabezpieczenie nadprądowe silnika odkurzacza	Wymień silnik odkurzacza
F7	Uszkodzenie płytki drukowanej lub poluzowany przewód zasilający	Wymień płytkę drukowaną lub przewód zasilający płytki
F8	Nieprawidłowy współczynnik NTC akumulatora	Wyłącz odkurzacz i poczekaj, aż akumulator ostygnie. Włącz ponownie. Jeśli kod błędu nadal się pojawia, wymień akumulator

Uwaga: w przypadku innych usterek potrzebne są specjalne narzędzia, aby uniknąć niebezpieczeństwa. Naprawy muszą być wykonywane przez fachowców z firmy produkującej, naprawiającej lub podobnej.

Parametry techniczne

Mode	H8 Flex
Napięcie znamionowe	25.2V \pm 3%
Moc znamionowa	550W
Napięcie wejściowe ładowarki	100-240V ~ 50/60Hz
Napięcie wyjściowe ładowarki	30V \pm 3% 600mA
Model głowicy do podłóg	T-EB110VE
Moc znamionowa elektrycznej głowicy do podłóg	30W
Pojemność akumulatora	2500mAh
Czas ładowania	4-5h

Schemat obwodu



Manufacturer Information

Manufacturer	Kingclean Electric Co., Ltd
Address	No.1 Xiangyang Road, Suzhou New District, Jiangsu Province 215009, China



Prawidłowa utylizacja

Urządzenie, akcesoria i opakowanie powinny być poddane segregacji w celu przyjaznego dla środowiska recyklingu.



Nie wolno wyrzucać urządzenia razem z odpadami domowymi.

Wyłącznie dla krajów Unii Europejskiej:

Zgodnie z dyrektywą 2012/19/UE urządzenie, które nie nadaje się już do użytku, oraz zgodnie z dyrektywą 2006/66/WE uszkodzone lub zużyte zestawy baterii/akumulatorów należy poddać segregacji i utylizacji w sposób przyjazny dla środowiska.

Informacje dotyczące akumulatora:

Akumulatory mogą być odłączane w celu utylizacji wyłącznie przez wykwalifikowany serwis. Demontaż obudowy może spowodować uszkodzenie lub zniszczenie urządzenia.

Nie wolno wyrzucać akumulatorów/baterii do odpadów domowych, ognia lub wody. Pakiety baterii/akumulatorów należy w miarę możliwości rozładowywać, poddawać recyklingowi lub utylizować w sposób przyjazny dla środowiska.

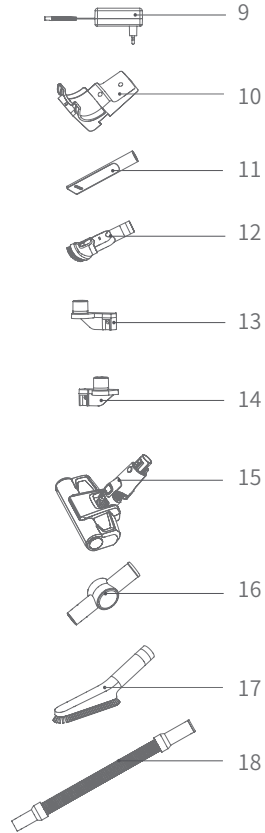
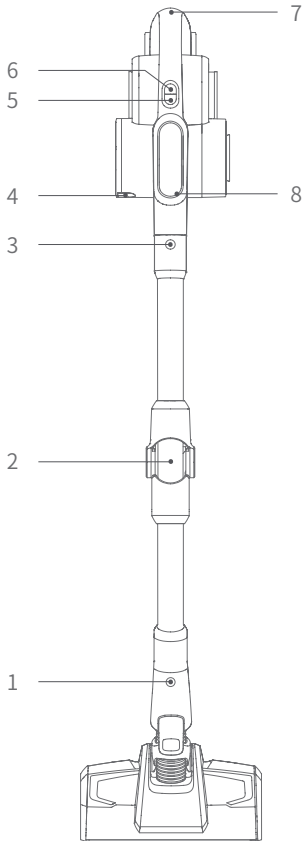
Zastrzega się możliwość wprowadzania zmian bez wcześniejszego powiadomienia.

Informacje gwarancyjne

Produkt objęty jest dwuletnią gwarancją od daty zakupu.

Gwarancja nie obejmuje normalnego zużycia, użytkowania komercyjnego, zmian w zakupionym urządzeniu, czynności związanych z czyszczeniem, skutków niewłaściwego użytkowania lub uszkodzenia przez nabywcę lub osobę trzecią, uszkodzeń, które można przypisać okolicznościom zewnętrznym.

Teilname



- 1. Bodenbürsten-Entriegelungsknopf
- 3. Metallrohr-Entriegelungsknopf
- 5. Modus-Taste
- 7. Batterie-Entriegelungsknopf
- 9. Adapter
- 11. Flacher Saugkopf
- 13. Halterungen für Zubehör links
- 15. Elektrische Milbenentfernungsbürste
- 17. Weiche Borstenbürste

- 2. Flexibles Metallrohr
- 4. Entriegelungsschloss der unteren Kappe
- 6. Ein/Aus Schalter
- 8. LED Bildschirm
- 10. Steckdose
- 12. Sofa-Saugkopf
- 14. Halterungen für Zubehör rechts
- 16. verbinder
- 18. Flexibel Schlauch

Paketliste

Nome	Handstaubsauger	Elektrische Bodenbuerste	Elektrische Milbenentfernungsbürste	Sofa-Saugkopf	Flacher Saugkopf
Menge	1	1	1	1	1
Nome	Weiche Borstenbürste	Ladebuegel	verbinder	Flexibel Schlauch	Flexibles Metallrohr
Menge	1	1	1	1	1
Nome	Adapter	Schraube	Expansionsrohr	Anleitung	Halterungen für Zubehör
Menge	1	4	2	1	2

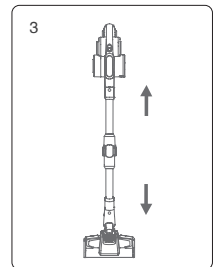
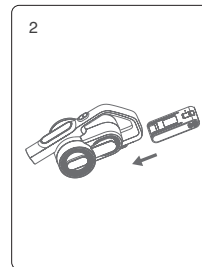
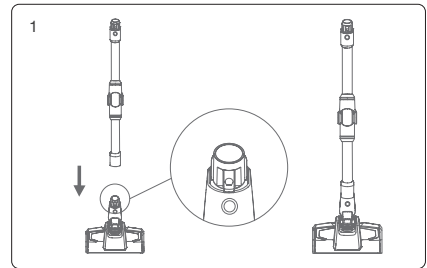
Product Assembly

Installation von elektrischen Bürsten und Metallrohren

Halten Sie bei Verbindung die elektrische Bürste mit der linken Hand in der angezeigte Richtung, führen Sie das Metallrohr mit der rechten Hand in den Erdungsbürstenstecker ein, richten Sie den leitenden Stift aus und drücken Sie das Metallrohr fest nach unten, bis Sie das "Klick"-Ton hören.

Hinweis: Bei der Montage stimmt die Griffausrichtung mit der Richtung der Bodenbürste überein und richtet sich an der leitenden Nadel und dem Wagenheber aus.

Wenn Sie beim Verpacken oder Aufräumen des Staubsaugers die elektrische Bürste entfernen müssen, halten Sie die in der Abbildung angegebene Bodenbürsten-Entriegelungstaste gedrückt und ziehen Sie die elektrische Bürste in der angezeigte Richtung.



Installation von Batterie- und Handstaubsaugern

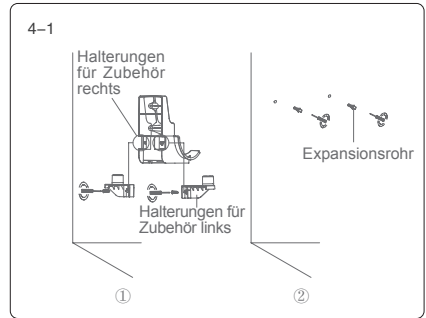
Installation von Akkupacks: Stabilisieren Sie den Handstaubsauger mit einer Hand, halten Sie den Akku mit der anderen Hand, zielen Sie auf die Schienennut am Körper und installieren Sie den Akkupack in Richtung des angezeigten Pfeils. Ziehen Sie den Akku nach der Installation ab, um sicherzustellen, dass er nicht gelöst wird.

Hinweis: Wenn Sie den Staubsauger lange nicht verwenden, nehmen Sie bitte die Batterie aus, packen Sie die Maschine ein, und lagern Sie die an einem kühlen und trockenen Ort und stellen Sie sie niemals direkte in Sonneneinstrahlung oder Feuchtigkeit.

Installation von Metallrohren und ganzen Einheiten

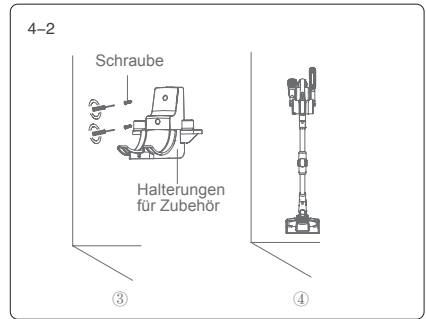
Installieren Sie zunächst die Bodenbürste und das Metallrohr gemäß der Installationsmethode der elektrischen Bodenbürste und des Metallrohrs.

Installation der Bodenbürsten-Metallrohrbaugruppe und des Handstaubsaugers: Wie in der Abbildung gezeigt, richten Sie den Metallrohrleiter am Saugdüsenkoppler aus und drücken Sie ihn fest nach oben, bis Sie das "Klick" hören.



Installation der Ladebuchse

Befestigen Sie die Halterungen für Zubehör an die entsprechende Halterung und schrauben Sie sie dann fest. Legen Sie zuerst den Staubsauger in den Kleiderbügel und lassen Sie den Staubsauger aufrecht an der Wand stehen. Es ist angebracht, die Höhe entsprechend der elektrischen Bürste zu bürsten, ohne den Boden zu berühren. Entfernen Sie den Staubsauger, stecken Sie die Wand in das Expansionsrohr, setzen Sie den Aufhänger in die Position des Expansionsrohrs und verriegeln Sie die Schrauben, um sie festzuziehen. Stellen Sie den Staubsauger nach der Installation zum Aufladen oder Aufbewahren auf den Ladeständer. (Achtung: Bitte befestigen Sie es nicht an feuchten Wänden wie Badezimmern)

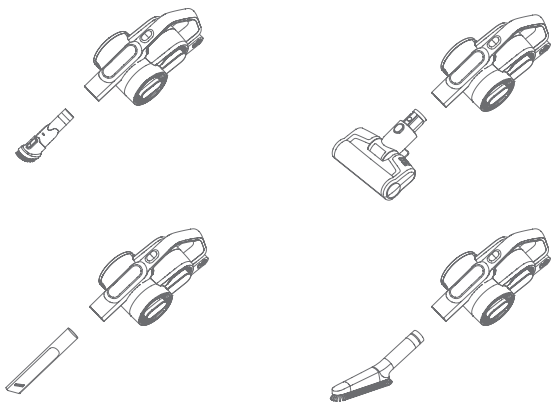


Befestigungsverbindung

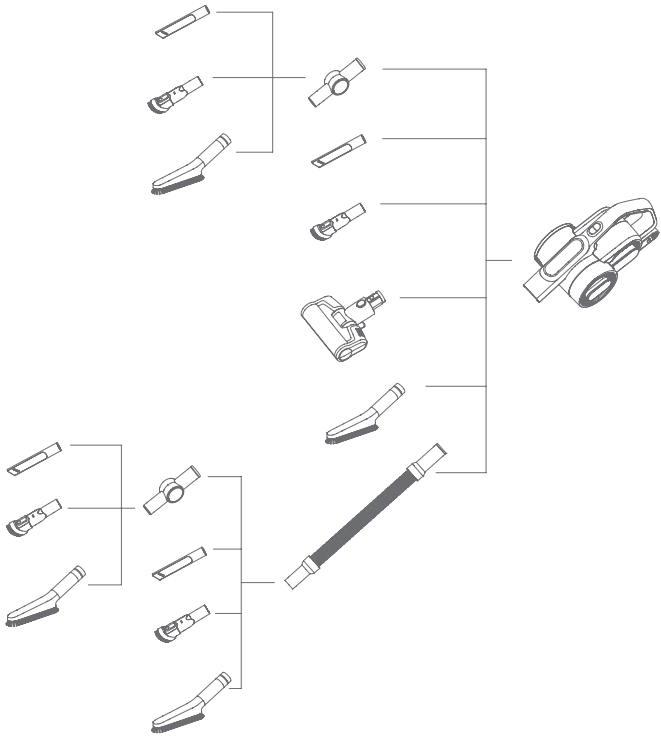
Aus Gründen der Benutzerfreundlichkeit ist dieses Produkt speziell mit einigem Zubehör für den Handheld-Teil des Staubsaugers ausgestattet. Wenn Sie den Handstaubsauger allein verwenden, können Sie die Anbaugeräte direkt oder bei Bedarf über Flexibel Schlauch anschließen.

Name	Modell	H8 Flex
Elektrische Milbenentfernungsbürste		
Sofa-Saugkopf		
Flacher Saugkopf		
Weiche Borstenbürste		
Flexibel Schlauch		
Verbinder		

Die Verbindung zwischen Handstaubsauger und elektrischer Milbenentfernungsbürste, flacher Absaugung, Sofaabsaugung und weicher Borstenbürste ist in der Abbildung dargestellt:



Verbindungsdetails für Anhänge



Verwendung von Staubsaugern

Aufladen

Hinweis: Wenn Sie dieses Produkt zum ersten Mal verwenden, ist die Batteriekapazität des Staubsaugers möglicherweise nicht voll. Sie müssen den Staubsauger aufladen und verwenden, wenn er voll ist.

Charge de l'aspirateur

Wenn die Leistung des Staubsaugers nicht ausreicht, laden Sie den Staubsauger bitte rechtzeitig auf; wenn die Spannung zu niedrig ist, um die Batterie zu schützen, unterbricht der Staubsauger automatisch den Strom. Zu diesem Zeitpunkt muss der Staubsauger aufgeladen werden. Stecken Sie das Ladegerät beim Aufladen in die Netzsteckdose und legen Sie den, Stecken Sie ein anderes Ende des Ladegeräts in die Batterie, um mit dem Aufladen zu beginnen. Wenn der Bildschirm des Handstaubsaugers eine Leistungssteigerung zeigt, bedeutet dies, dass der Staubsauger aufgeladen wird. Wenn sie vollständig aufgeladen ist, zeigt die Ladung 100% an.

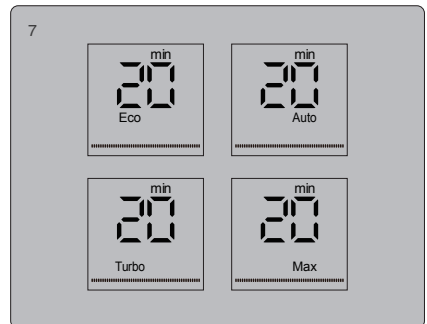
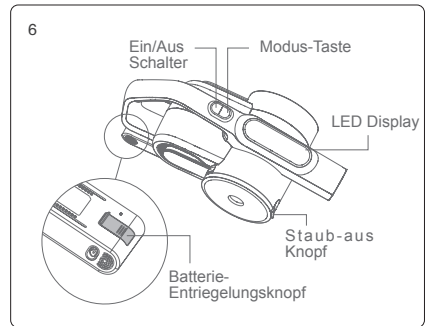
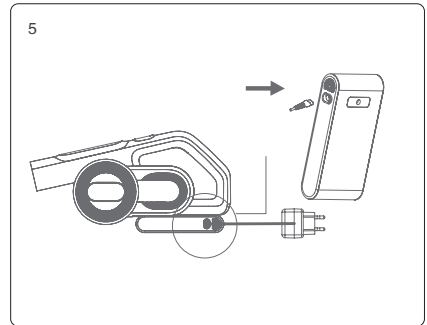
Wenn der Akku separat aufgeladen wird, ohne an der Maschine montiert zu werden, leuchtet während des Ladevorgangs die Anzeige im Akku rot und leuchtet nach Abschluss des Ladevorgangs grün.

Hinweis:

1. Wenn die Batterieladung kleiner oder gleich $\leq 20\%$ ist, wenn sich das Maschinengetriebe im Max-Zahnrad befindet, wird es automatisch auf Eco-Getriebe umgeschaltet. Wenn die Batterie nicht mehr mit Strom versorgt wird, schaltet sich das Produkt automatisch aus.
2. Wenn der Staubsauger lange nicht benutzt wird, muss er alle 3 Monate aufgeladen werden, um zu verhindern, dass die Batterie defekt .
3. Ziehen Sie den Ladestecker nach dem Aufladen rechtzeitig aus der Steckdose aus und stoppen Sie den Ladevorgang.
4. Wenn das Kabel kaputt ist, um Gefahr zu vermeiden, muss es von Hersteller,Reparaturabteilung oder einem Fachmann ersetzt werden.

Handheld-Nutzung und Display-Inhalt Anzeige

Nachdem Sie den Staubsauger aus dem Lagerregal entfernt haben, drücken Sie die Schaltertaste, um den Start und Stopp des Staubsaugers zu steuern, und die Modustaste kann den Gang einstellen. Schalten Sie den Auto-Modus der gesamten Maschine ein. Drücken Sie die Modus-Taste, um in der Reihenfolge des Turbo-Max - Eco-Auto-Modus hin und her zu wechseln. Wenn der Modus umgeschaltet wird, zeigt das Display den entsprechenden Modus an.

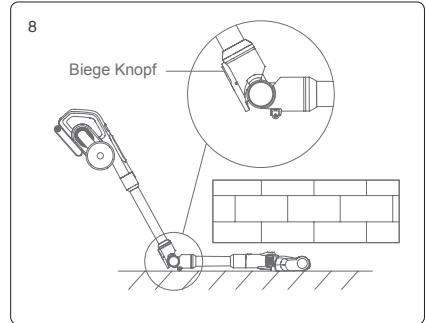


Die Mitte der LED-Bildschirm zeigt die Nutzungszeit des Produkts im aktuellen Arbeitsmodus an. Wenn der Modus umgeschaltet wird, ändert sich auch die Nutzungszeit entsprechend.

Wenn das Produkt im Max-Getriebe mit noch 20% arbeitet, wechselt die Maschine automatisch vom "Max"- in den "Eco"-Modus, um die Akkulaufzeit der Maschine zu verlängern. Zu diesem Zeitpunkt kann die Aufladung auf >20% High-End-Batterie normal verwendet werden.

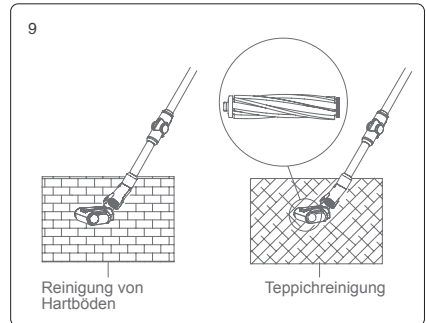
Im Auto-Modus passt die Maschine die Leistung automatisch an die induzierte Staubkonzentration und den Bodentyp an, um eine effizientere Reinigung zu erreichen. Im Auto-Modus zeigt das Display Auto unabhängig von der Stromversorgung an.

Das Produkt ist mit einem Staubkonzentrationssensor ausgestattet, und ein Lichtband an der Unterseite des Displays zeigt die Staubkonzentration an. Je nach Staubkonzentration von hoch nach niedrig nimmt das Lichtband Rot ab und Blau steigt an. Ganz blau zeigt an, dass die saubere Oberfläche gereinigt wurde. Durch das Display können Sie visuell sehen, ob die Reinigungsoberfläche sauber ist oder nicht.



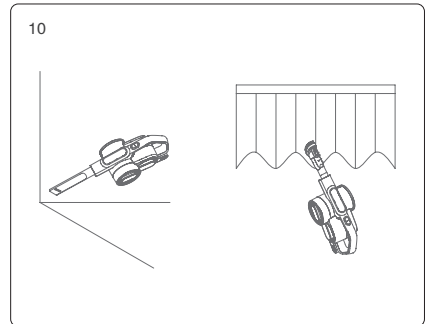
Verwendung von Flexibles Metallrohr

Elektrische Biege-Metallrohre haben zwei Modi: aufrecht und Biegen. Der aufrecht Modus entspricht normalen leitfähigen Metallrohren. Der Biegemodus kann für die Reinigung in Szenen wie unter dem Bett verwendet werden. Wenn der Biegemodus verwendet werden muss, wie in der folgenden Abbildung gezeigt, drücken Sie die Biegetaste und biegen Sie gleichzeitig das Metallrohr, um eine Biegung von 0-90° zu erreichen.



Use of electric floor head

Elektrische Bodenbürsten eignen sich zur Reinigung von Hartböden, Bodenfliesen, Teppichen und anderen Böden. Das Produkt ist mit einer zusätzlichen Teppichrollenbürste ausgestattet, die für die Tiefenreinigung von Teppichen ersetzt werden kann. Wenn die elektrische Bürste läuft, wenn sie zu große Mengen an Fremdkörpern einatmet oder sich um mehrere Fasern wickelt, legt selbst das Kind fälschlicherweise seine Hand in den Bürstenraum, während es diese Maschine spielt, was zu einer abnormalen Abschaltung der Rollbürste führt, und die Bodenbürste und die ganze Möglichkeit, die persönliche Sicherheit zu schützen, ist auch eine Schutzfunktion des Bodenbürstenmotors.



Anwendung vom Anhängen

Flacher Saugkopf : Geeignet für die Reinigung von Schlitzen, Ecken der Türen und Fenstern und anderen engen Lücken.

Sofa-Saugkopf: Geeignet für die Reinigung von Schrank, Fenster, Sofa und Tischplatte.

Weiche Borstenbürste: Geeignet für die Reinigung von Möbeln, Bücherregale, Kunsthandwerk usw. Die sind leicht zu zerkratzen.

Flexibel Schlauch: Geeignet für die Verbindung von den Anhängen, wo sehr schwer zu erreichen sind.

Elektrische Bettabsaugung: geeignet für Sofas und Matratzen. Durch die Schlagvibration der Rollbürste werden Milben, Bakterien usw., die in den Tiefen der Bettwäsche oder des Sofas versteckt sind, ausgesaugt.

Verbinder: Es wird verwendet, um sich nach dem Verbinden von Zubehör in verschiedene Winkel zu biegen, und wird verwendet, um den oberen Staub von Schränken, Dachstaub usw. zu reinigen. Wie in der Abbildung gezeigt.

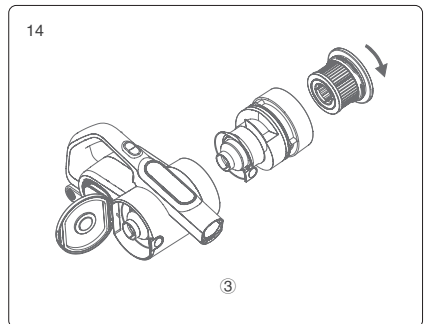
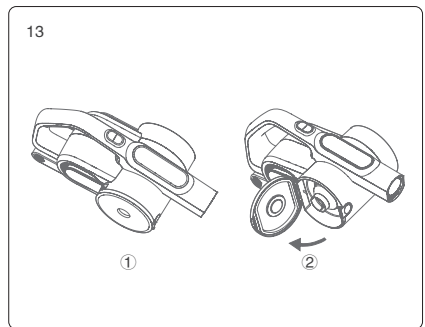
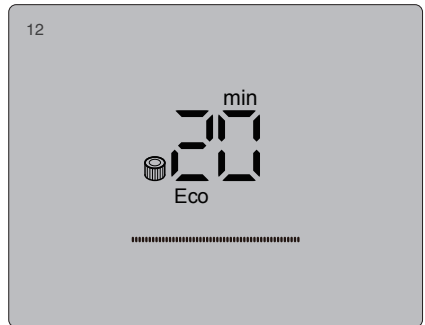
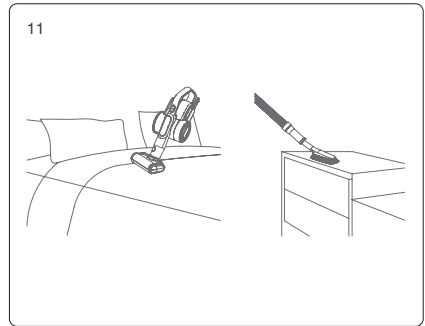
Reinigung und Teilen Ersetzung

Hinweise:

1. Haipa wird bei Staubsaugerverkäufern verkauft.
2. Es wird empfohlen, den Staubbecher rechtzeitig nach jedem Gebrauch zu reinigen; wenn zu viel Staubansammlung in der Seapa blockiert ist, muss er gereinigt werden, und er kann bei Bedarf ersetzt werden.

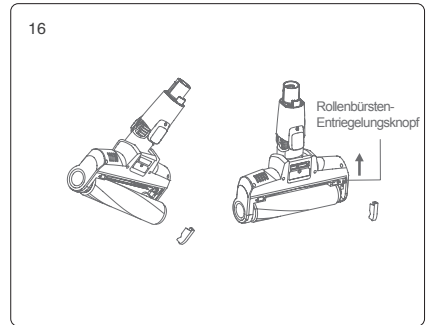
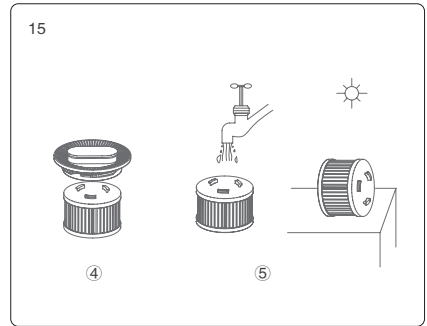
Staubbecher und Filtersysteme

Wenn der Staub voll ist oder der Haipa blockiert ist, erscheint das Haipa-Symbol auf dem Display, wie in der Abbildung unten gezeigt. Bitte reinigen Sie den Staubbecher und den Haipa-Filter rechtzeitig. Ersetzen Sie Haipa, wenn es nötig ist.



Schritte zur Reinigung des Staubbehälters und Filtersystems:

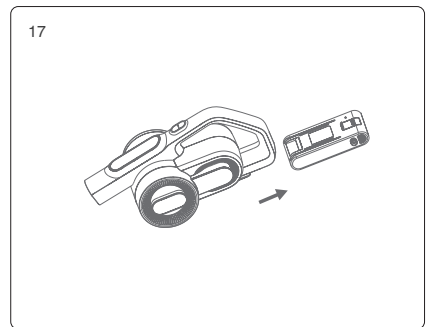
1. Drücken Sie die untere Abdeckung des Staubbehälters herunter, öffnen Sie den Staubbehälter und schütten Sie den Staub in ein Mülleimer.
2. Halten Sie den HEPA-Deckel und drehen Sie ihn gegen den Uhrzeigersinn, um die HEPA-Baugruppe zum Reinigen aus dem Handstaubsauger zu entfernen.
3. Halten Sie die Oberseite der Zykloeinheit und drehen Sie sie gegen den Uhrzeigersinn, um die Zykloeinheit zum Reinigen aus dem Handstaubsauger zu entfernen.
4. Wenn die HEPA gewaschen werden muss, halten Sie die HEPA und drehen Sie sie im Uhrzeigersinn, nehmen Sie sie zum Waschen aus dem HEPA-Deckel. HEPA muss vor der Wiederverwendung vollständig trocknen.
5. Bauen Sie die Teile nach der Reinigung in umgekehrter Reihenfolge der Demontage wieder zusammen.



Lagerung von Staubsaugern

Batterietasche Entfernen

Drücken Sie die Batterieentriegelungstaste, um den Batteriebeutel in der gezeigten Richtung zu entfernen. Legen Sie die Batterie in eine Plastiktüte und bewahren Sie sie an einem trockenen Ort auf.



Staubsauger Lagerung

Wenn Sie den Staubsauger lange nicht benutzen, ziehen Sie bitte die Batterie aus, wickeln Sie die Maschine ein und lagern Sie sie an einem kühlen und trockenen Ort und stellen Sie sie nicht in direkte Sonnenstrahlung oder feuchte Umgebungen.

Hinweise

Der Staubsauger ist nur für den Haushalt Gebrauch, nicht für kommerzielle oder industrielle Zwecke.

Lesen Sie bitte diese Gebrauchsanleitung vor der Verwendung dieses Gerätes sorgfältig durch und bewahren gut auf, um nachzulesen.

Halten Sie den Staubsauger fern von dem Feuer oder dem Ort mit hoher Temperatur.

Verwenden und bewahren Sie das Gerät nicht unter extrem widrigen Bedingungen auf, z. B. extreme Temperatur. Verwenden Sie das Gerät nicht in Umgebungen, in denen die Temperatur unter 5 Grad oder über 40 Grad liegt. Lagern Sie das Gerät an einem kühlen und trockenen Ort und vermeiden Sie längere Sonneneinstrahlung.

Laden Sie den Akku bitte voll auf, bevor Sie einen neuen Akku verwenden oder den Akku nach längerer Lagerung zum ersten Mal verwenden.

Achten Sie vor der Verwendung des Staubsaugers darauf, die Walzenbürste der Bodenbürste einwandfrei zu montieren. Sonst kann es zum Abwürgen des Motors und zur Beschädigung des Motors führen kann.

Verwenden Sie bitte den Staubsauger so nicht, Reinigungsmitteln, Kerosin, Glasschlacke, Nadeln, Zigarette-Aschen, feuchtem Staub, Abwässern, Streichhölzern usw. aufzusaugen.

Verwenden Sie bitte den Staubsauger so nicht, die winzigen Partikeln wie Zement, Gipsmehl, Mauermehl oder großen Gegenständen wie Spielzeuge, Papierkugeln aufzusaugen. Sonst wird der Staubsauger blockiert und der Motor wird beschädigt.

Achten Sie bitte bei der Verwendung des Staubsaugers darauf, die Saugdüse und die Walzenbürste nicht zu blockieren. Es kann zu einem Motorausfall führen.

Bei der Verwendung des Staubsaugers dürfen die Gliedmaßen nicht in der Saugdüse der Bodenbürste gesteckt werden, weil es sonst leicht zu Verletzungen verursachen kann.

Gießen oder spritzen Sie bitte kein Wasser oder andere Flüssigkeiten auf oder in die Maschine, um einen Kurzschluss und ein Durchbrennen der Maschine zu vermeiden.

Wenn die Walzenbürste während des Gebrauchs nicht dreht, überprüfen Sie bitte sofort, ob sich Haare oder andere lange Fasern in der Walzenbürste verfangen haben, und reinigen rechtzeitig.

Stellen Sie bitte sicher beim längeren Nichtgebrauch, dass der Akku vollständig aufgeladen ist und mindestens einmal alle drei Monate geladen und entladen wird.

Wenn Ihr Staubsauger vollständig aufgeladen ist und gereinigt oder repariert werden muss, trennen Sie das Ladegerät bitte rechtzeitig vom Stromnetz. Dabei muss der Stecker des Ladegeräts beim Ein- und Ausstecken festgehalten und ziehen Sie nicht am Ladestromkabel.

Verwenden Sie zur Reinigung des Staubsaugers bitte ein trockenes Tuch. Verwenden kein Benzin, Alkohol, Amylacetat usw.. Sonst wird das Gehäuse abspalten oder sich verfärben.

Wenn die gesamte Maschine vollständig aufgeladen ist aber nicht funktionieren kann, müssen Sie an die dafür vorgesehene Wartungsstelle prüfen und reparieren. Zerlegen Sie die Maschine nicht eigenmächtig.

Verbrauchte Maschine enthält Akkupack, der sicher zurückgewonnen werden sollten. Entsorgen Sie bitte nicht eigenmächtig.

Zur Vermeidung von Gefahren müssen die Fachleute des Herstellers, seine Wartungsabteilung oder die ähnlichen Abteilungen das beschädigte Kabel ersetzen und reparieren.

Kinder ab 8 Jahren und Personen mit eingeschränkten physischen, sensorischen oder intellektuellen Fähigkeiten oder Mangel an Erfahrung und Wissen müssen beim Gebrauch beaufsichtigt oder die sichere Behandlung und die damit verbundenen Gefahren unterwiesen werden, bevor sie dieses Produkt verwenden.

Dieses Gerät darf nur mit dem originalen Netzteil verwendet werden.

Fehlersuche

Bitte überprüfen Sie die folgenden Punkte, bevor Sie die Reparaturabteilung beauftragen.

Fehler	Mögliche Gründen	Lösungen
Motor funktioniert nicht	Batterie ist leer	Staubsauger aufladen
	Metallrohre, Bodenbürsten, Batteriebeutel und Handstaubsauger sind nicht installiert	Überprüfen die Teile und Handstaubsauger, ob sie richtig Motiert sind
Reduzierte Saugerkraft	Staubbecher voll	Staubbecher Gießen
	Filter blockiert	Reinigung und Filter wechseln
	Elektrische—Rollbürsten oder Bodenbürsten blockiert	Müll aus den Elektrischen Bürsten reinigen
Knaptheit von Nutzungszeit nach dem Aufladen	Nicht voll aufgeladen	Folgen Sie die Ladeanweisungen, um die Batterie voll zu laden
	Batteriealterung	Batterie können bei lokalen Agenten gekauft werden
Staubkonzentration ist immer Rot	Staubsonde ist blockiert von Staub	Den Staub von Handstaubsaugern oder der Induktionssonde abwischen

Wenn es ein defektes Elektrogerät gibt, das die Anleitung oder Wartung von professioneller Personal benötigt, und der Bildschirm einen Fehlerwarcode mit dem Namen F1-F8 abspielt, wenden Sie sich bitte an der Sales-Personal des lokalen Agenten und geben Sie den Fehlercode an.

Panne von F1 zu F8 sind unten:

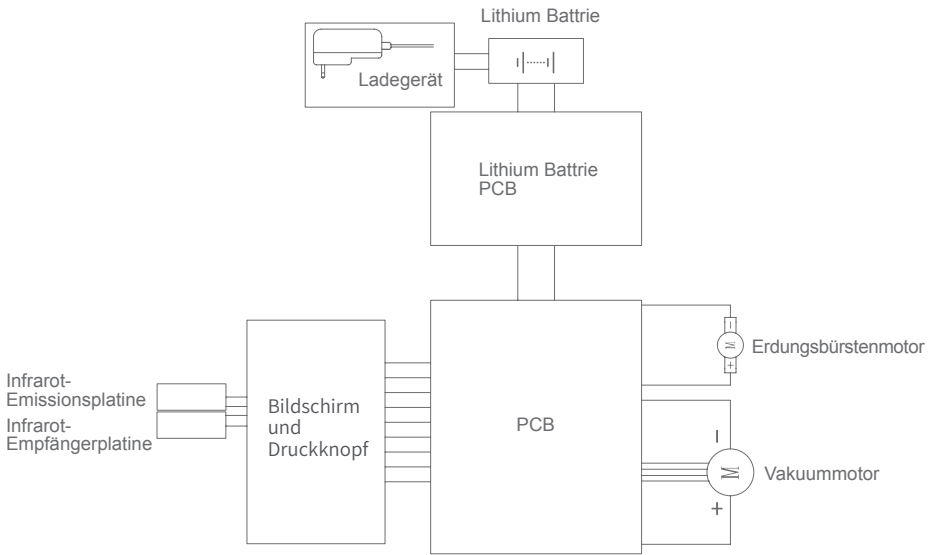
Kodex	Defekt	Lösung
F1	Unterbrechung von Batteriebeutel Nickel	Batterie ersetzen oder reparieren
F2	Ladegeraet defekt	Ladegerät ersetzen
F3	Vakuumstaubmotor Kurzschluss	Vakuummotor ersetzen
F4	Batterie defekt	Ersetzen oder batterie reparieren
F5	Vakuummotor 1 Überstromschutz	Vakuummotor ersetzen
F6	Vakuummotor 2 Überstromschutz	Vakuummotor ersetzen
F7	PCB defekt oder PCB I eitungen abgehen	PCB oder PCB Leitung wechseln
F8	Anomalien des Akkupacks	Schalten Sie aus und warten bis sich die Batterie abgekühlt hat, schalten Sie wieder ein. Wenn der Fehlercode weiterhin angezeigt wird, ersetzen Sie die Batterie

Hinweis: Wenn es einen anderen Fehler gibt, sind Spezialwerkzeuge erforderlich, und um Gefahr zu vermeiden, müssen sie von Fachleuten des Herstellers seiner Wartungsabteilung oder einer ähnlichen Abteilung repariert werden.

Technische Parameter

Modell Nr	H8 Flex
Nennspannung	25.2V---
Nennleistung	550W
Adaptereingang	100-240V ~ 50/60Hz
Adapter Ausgangsleitung	30V--- 600mA
Elektrisches Bürstenmodell	T-EB110VE
Nennleistung der elektrischen Bürste	30W
Batteriepack-Kapazität	2500mAh
Ladezeit	4-5h

Schaltplan



Info des Herstellers

Hersteller	Kingclean Elektro GmbH
Anschrift	Xiangyang-Straße 1, Suzhou-Neustadtteil, Jiangsu-Provinz, VR China, 215009



Entsorgung

Maschinen, Zubehör und Verpackungen sollten umweltgerecht zurückgewonnen werden.



Werfen Sie die Maschine nicht in den Hausmüll!

Nur für die europäischen Länder:

Maschinen, die gemäß der Richtlinie 2012/19/EU nicht mehr verwendbar sind, die defekten oder verbrauchten Akkupacke/Akkus gemäß der Richtlinie 2006/66/EG müssen getrennt auf umweltgerechte Weise gesammelt und entsorgt werden.

Akkupack/Akku:

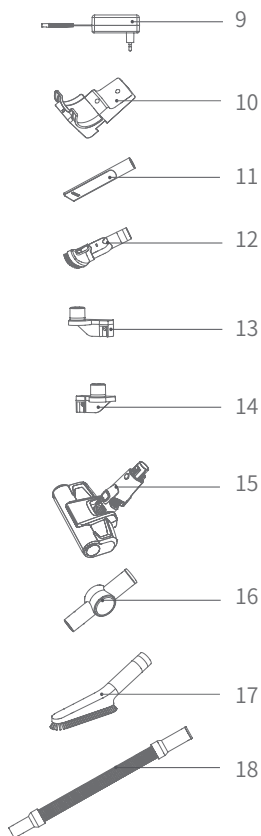
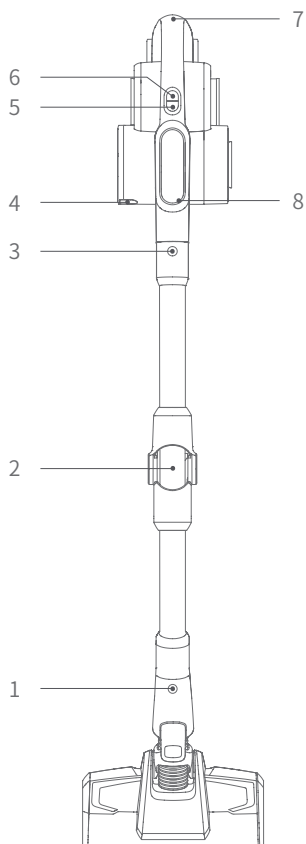
Der eingebaute Akku sollte nur von Fachleuten entfernt und entsorgt werden. Gehäuse zu öffnen kann die Maschine beschädigen. Werfen Sie Akkupack/Akku nicht in den Hausmüll, in das Feuer oder Wasser. Akkupack/Akku sollte möglichst umweltgerecht entladen, gesammelt, zurückgewonnen oder entsorgt werden.

Ohne Vorankündigung können die Regeln geändert werden.

Garantie

Für dieses Produkt gilt eine zweijährige Garantie ab Kaufdatum. Ausgeschlossen sind normale Abnutzung, gewerbliche Nutzung, Änderungen an Geräten nach dem Kauf, Beschädigung wegen Reinigungstätigkeiten und unsachgemäßer Verwendung, vom Käufer oder Dritten verursachte Schäden, Schäden, die auf die äußere Umgebung zurückzuführen sind.

Nom des pièces



1. Bouton de libération de la tête du plancher
3. Bouton métallique de libération du tube
5. Bouton Mode
7. Bouton de libération du bloc-piles
9. Chargeur
11. Outil de crevasse
13. Porte-accessoires gauche
15. Brosse électrique pour l'élimination des acariens
17. Brosse douce

2. Tube métallique flexible
4. Loquet de déverrouillage du bac à poussière
6. Bouton marche/arrêt
8. Écran LED
10. Support de chargement
12. Outil de tapisserie
14. Porte-accessoires droit
16. Connecteur
18. Tuyau étiré

Liste de colisage

Nom	Aspirateur à main	Tête de plancher électrique	Brosse électrique pour l'élimination des acariens	Outil de tapisserie d'ameublement	Outil de crevasse
Montant	1	1	1	1	1
Nom	Brosse douce	Support de chargement	Connecteur	Tuyau étiré	Tube métallique flexible
Montant	1	1	1	1	1
Nom	Chargeur	Vis	Tube d'expansion	Manuel d'instruction	Porte-accessoires
Montant	1	4	2	1	2

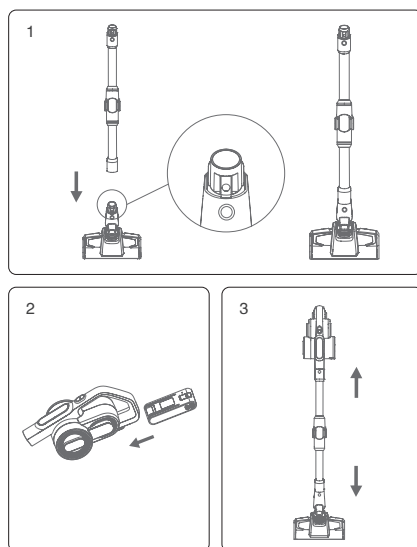
Assemblage du produit

Assemblage la tête de plancher électrique avec le tube métallique

Tenez la tête de sol avec la main gauche, utilisez la main droite pour insérer le tube métallique verticalement dans la tête de sol, alignez-le avec l'aiguille conductrice, appuyez sur le tube jusqu'à ce que vous entendiez un "clic".

Attention: gardez la poignée et la tête du plancher dans la même direction, l'aiguille conductrice doit être alignée avec la douille.

Lors de l'emballage, du stockage ou du nettoyage, si la tête de plancher électrique doit être retirée, appuyez sur le bouton de libération de la brosse comme indiqué sur la photo et tirez la tête de plancher électrique dans la direction indiquée sur la photo.



Assemblage du bloc-piles et l'aspirateur à main

Assemblage du bloc-piles: tenez l'aspirateur à main d'une main, tenez le bloc-piles de l'autre main, visez la rainure de guidage sur le corps, glissez le bloc-piles selon la direction de la flèche indiquée sur l'image. Tirez sur le bloc-piles après l'installation pour vous assurer qu'il ne se détache pas.

Attention: lorsque l'aspirateur est inutilisé depuis longtemps, veuillez retirer le bloc-piles, emballer le produit et le stocker dans un endroit frais et sec, en évitant la lumière directe du soleil ou un environnement humide.

Assemblage du tube métallique et l'aspirateur portatif

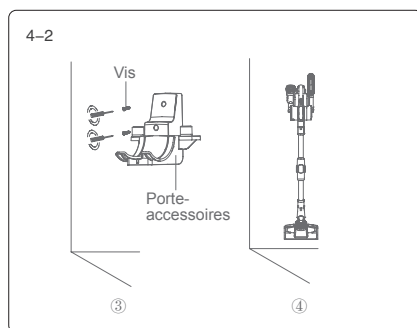
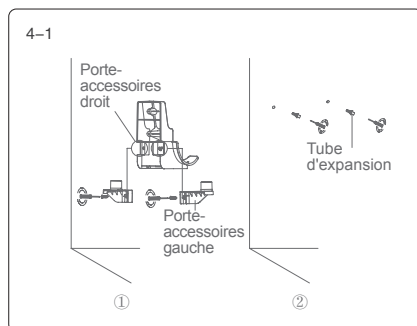
Tout d'abord, assemblez la tête de plancher et le tube métallique conformément à la méthode

d'assemblage de la tête de plancher électrique et du tube métallique.

Assemblez la tête de sol avec le tube métallique et l'aspirateur à main : comme indiqué sur la photo, alignez l'aiguille conductrice du tube métallique avec le coupleur de l'embout d'aspiration, poussez vers le haut jusqu'à ce que vous entendiez un "clic".

Assemblage du support de chargement

Assembler le porte-accessoires au crochet, puis assurer le porte-accessoires avec des vis. Placez l'aspirateur dans le support, et appuyez l'aspirateur contre le mur, placez le support dans la position où la tête de l'aspirateur ne touche pas le sol. Retirez l'aspirateur à main, placez le tuyau d'expansion sur le mur et placez le support dans la position du tuyau d'expansion, puis verrouillez la vis. Une fois l'assemblage terminé, placez l'aspirateur sur le support du chargeur pour le charger ou le ranger. (Attention : ne pas fixer le support à la salle de bain ou autre mur humide).

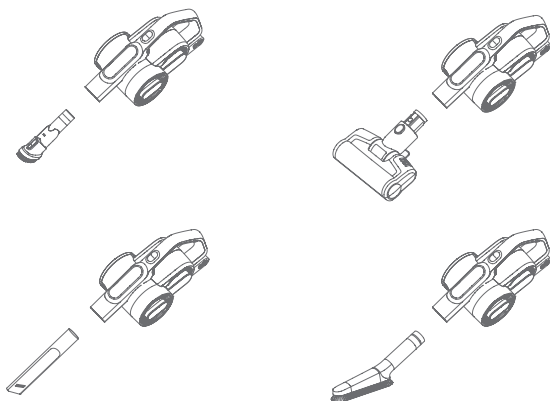


Assemblage des accessoires

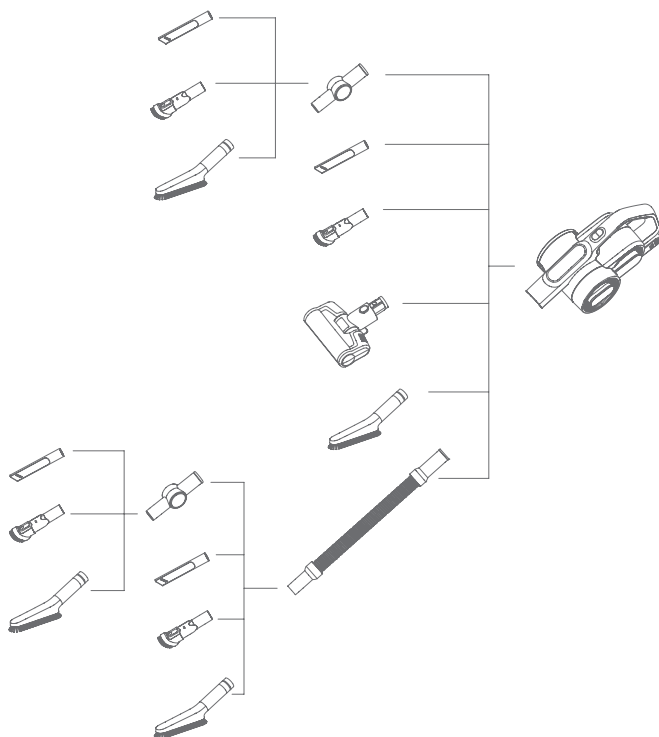
Pour faciliter l'utilisation, ce produit est spécialement équipé de quelques accessoires pour la partie manuelle de l'aspirateur. Lorsque vous utilisez l'aspirateur à main seul, vous pouvez connecter directement les accessoires en fonction de vos besoins ou connecter les accessoires par le biais du Tuyau étiré.

Nom	Modèle	H8 Flex
Brosse électrique pour l'élimination des acariens		
Outil de tapisserie		
Crevice tool		
Brosse douce		
Tuyau étiré		
Connecteur		

Connectez la brosse électrique pour l'élimination des acariens, l'outil de crevasse, l'outil de tapisserie et la brosse douce avec l'aspirateur portatif comme sur la photo.



Liste de raccordement des accessoires



Utilisation de l'aspirateur

Chargement

Attention: lorsque vous utilisez le produit pour la première fois, le bloc-piles n'est pas pleine. Il est nécessaire de charger l'aspirateur avant de l'utiliser.

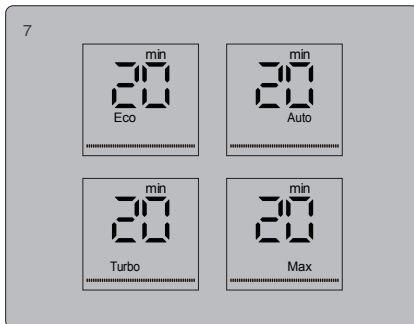
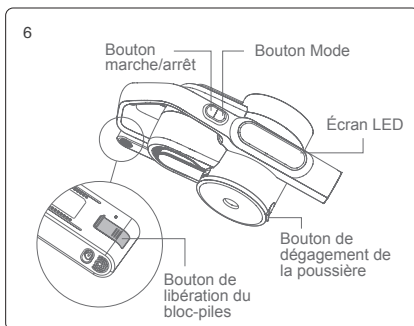
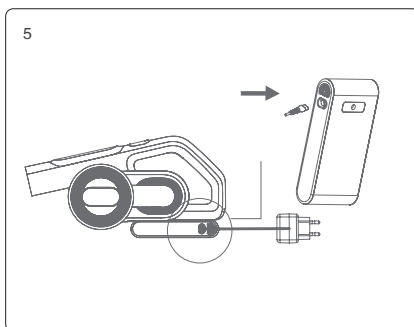
Ricarica dell'aspirapolvere

Lorsque la puissance de l'aspirateur est insuffisante, chargez l'aspirateur à temps ; Lorsque la tension est trop faible, pour protéger le bloc-piles, l'aspirateur s'éteint automatiquement, l'aspirateur doit alors être rechargé. Lors de la recharge, branchez le connecteur du chargeur dans la prise de courant alternatif, insérez l'autre extrémité du chargeur dans la batterie et commencez à charger. Lorsque l'écran LED de l'aspirateur portable affiche une augmentation de puissance, cela indique que l'aspirateur est en cours de chargement. Lorsque la charge est terminée, l'écran LED affiche 100 % de puissance.

Si la batterie n'est pas Assemblée sur la machine et chargée séparément, l'indicateur dans la batterie est rouge pendant le chargement et devient vert après le chargement.

Attention:

1. lorsque la puissance de le bloc-piles est inférieure à $\leq 20\%$, si le produit fonctionne en mode Max, il passera automatiquement en mode Eco. Lorsque le bloc-piles s'épuise, le produit s'éteint automatiquement.
2. si l'aspirateur est laissé au repos pendant une longue période, rechargez le bloc-piles tous les trois mois pour éviter une défaillance de le bloc-piles.
3. Après le chargement, veuillez retirer la fiche du chargeur de la prise de courant et arrêter le chargement.
4. si le cordon d'alimentation est endommagé, pour éviter tout danger, il doit être remplacé par un personnel professionnel du fabricant, un agent de réparation ou un service similaire.



Utilisation de l'aspirateur à main et du contenu de l'écran LED

Retirez l'aspirateur du support de rangement, appuyez sur le bouton marche/arrêt pour démarrer ou arrêter l'aspirateur. Le bouton Mode permet de régler le mode de fonctionnement. Lorsque l'appareil est allumé, il fonctionne en mode Auto, appuyez le bouton mode pour passer au mode Turbo- Max - Eco-Auto. Pendant le changement de mode, le mode s'affiche sur l'écran LED.

Le milieu de l'écran LED affiche le temps de fonctionnement restant du produit dans le mode actuel. Lorsque le mode est modifié, le temps de fonctionnement restant change également en conséquence.

Lorsque le produit fonctionne en mode Max et que la puissance de le bloc-piles tombe en dessous de 20 %, pour prolonger la durée de fonctionnement du produit, celui-ci passe automatiquement du mode Max au mode Eco. Une fois le bloc-piles chargée à plus de 20 %, le produit peut fonctionner en mode Max.

Lorsque le produit fonctionne en mode Auto, il ajuste la puissance de travail en fonction de la teneur en poussière et du type de sol qu'il détecte, afin d'obtenir une plus grande efficacité de nettoyage. En mode Auto, l'écran LED affiche Auto quelle que soit la puissance de travail.

Le produit est équipé d'un capteur de teneur en poussière. Sur l'écran LED inférieur se trouve une bande lumineuse qui affiche la teneur en poussière. Lorsque la teneur en poussière diminue, la couleur rouge diminue et la couleur bleue augmente. Lorsque la bande est complètement bleue, la surface de nettoyage est propre. La propreté de la surface de nettoyage peut être affichée visuellement sur l'écran LED.

Utilisation du tube métallique flexible

Le tube métallique flexible a deux modes : vertical et de flexion. Le mode vertical est équivalent au tube métallique normal. Le mode de pliage peut être utilisé pour nettoyer le dessous de la table, le dessous du lit, etc. Lorsque le mode de pliage est nécessaire, appuyez sur le bouton de pliage comme indiqué sur l'image g, et le tube métallique peut atteindre un angle de pliage de 0-90°.

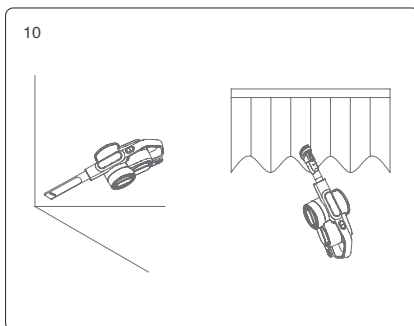
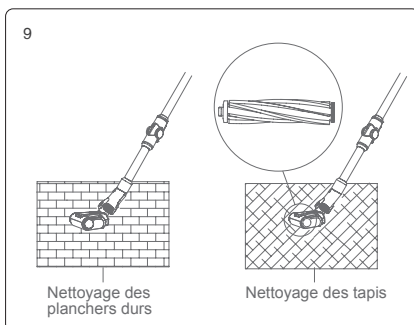
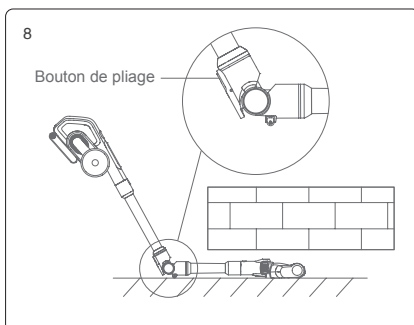
Utilisation de la tête de plancher électrique

La tête de plancher électrique convient à tous les types de sols, tels que les sols durs, les carrelages et les moquettes, etc. Le produit est livré avec un rouleau-brosse pour tapis supplémentaire qui peut être remplacée par la tête de plancher pour nettoyer les tapis en profondeur.

Attention: Pendant le fonctionnement de la tête de sol électrique, s'il y a un grand volume de matières étrangères inhalées ou trop de fibres enroulées, ou même un enfant dans le jeu de la machine a mis par erreur sa main dans la buse, ce qui entraîne l'arrêt anormal de la brosse, la tête de sol électrique s'arrêtera de fonctionner, afin de protéger la sécurité des personnes et le moteur de la brosse.

Utilisation des accessoires

Outil de crevasse: il convient pour nettoyer les fentes, les coins de portes ou de fenêtres et autres espaces étroits.



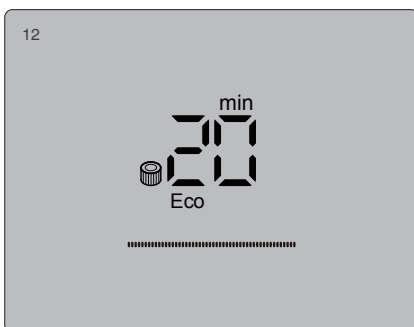
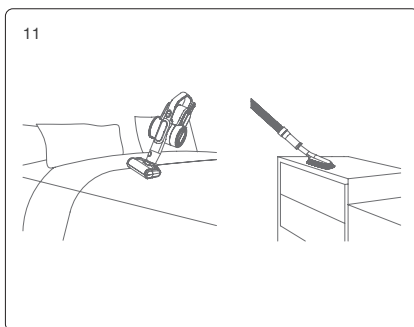
Outil de tapisserie: il convient pour le nettoyage des placards, des rebords de fenêtres, des canapés et des tables.

Brosse douce: il convient pour nettoyer les meubles faciles à rayer comme les bibliothèques, les objets d'artisanat, etc.

Tuyau étiré: il convient pour être connecté à d'autres outils afin de nettoyer les zones difficiles à atteindre.

Brosse électrique pour l'élimination des acariens: il convient aux matelas des canapés et des lits. Le rouleau de brosses bat puis nettoie les acariens et les allergènes des canapés ou des lits profonds.

Connecteur: il peut être connecté à d'autres outils et se plier à différents angles pour nettoyer la poussière sur le dessus des armoires hautes ou la poussière sur le toit.



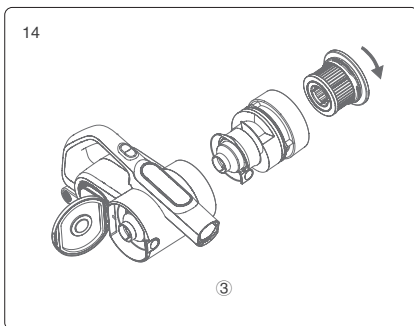
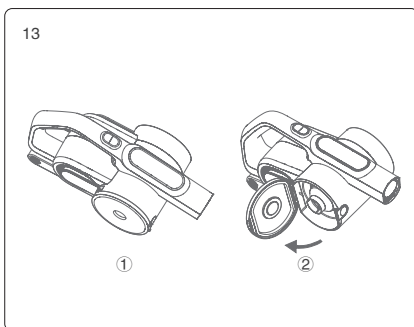
Nettoyage et remplacement des pièces

Attention :

1. Le filtre HEPA est disponible à la vente auprès des distributeurs locaux d'aspirateurs.
2. Il est recommandé de nettoyer le godet à poussière après chaque utilisation. Lorsque le godet à poussière est plein ou que le filtre HEPA est bouché, il doit être nettoyé et remplacé si nécessaire.
3. Le rouleau de brosse de l'aspirateur de sol électrique peut s'em mêler avec les cheveux après une utilisation prolongée. Il doit être nettoyé à temps pour que l'aspirateur fonctionne plus efficacement.

Nettoyage du godet à poussière et du système de filtration

Lorsque le godet à poussière est plein ou que le filtre HEPA est bouché, l'écran LED affiche l'icône HEPA pour vous rappeler de nettoyer le godet à poussière et le filtre. Veuillez nettoyer le godet à poussière et le filtre HEPA à temps. Remplacez le filtre HEPA si nécessaire.



Étapes du nettoyage du godet à poussière et du système de filtration :

1. Appuyez sur le couvercle inférieur du bac à poussière, ouvrez le bac à poussière et jetez la poussière dans la poubelle.
2. Tenez le couvercle HEPA et tournez-le dans le sens inverse des aiguilles d'une montre, retirez l'ensemble HEPA de l'aspirateur portatif pour le nettoyer.
3. Tenez le haut de l'ensemble cyclone et tournez-le dans le sens inverse des aiguilles d'une montre pour le retirer de l'aspirateur portatif et le nettoyer.
4. Si le HEPA doit être lavé, tenez le HEPA et tournez-le dans le sens des aiguilles d'une montre, puis retirez-le du couvercle du HEPA pour le laver. Le HEPA doit être complètement sec avant d'être réutilisé.
5. Après le nettoyage, remontez les pièces dans l'ordre inverse du démontage.

Nettoyage du rouleau de brosse

1. Déplacez le bouton de libération de la brosse dans le sens de la flèche pour retirer le couvercle latéral.
2. Retirez une extrémité de la brosse et sortez-la de la buse pour la nettoyer.
3. Après avoir nettoyé ou remplacé la brosse, remontez-la dans l'ordre inverse du démontage.

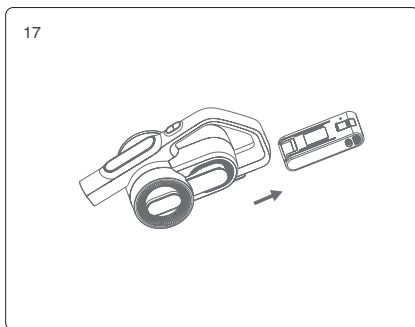
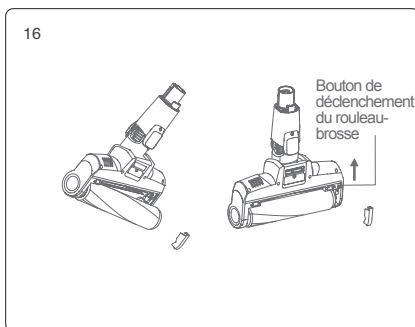
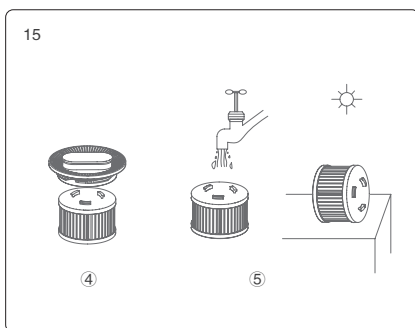
Rangement de l'aspirateur

Démontage du bloc-piles

Appuyez sur le bouton de libération de le bloc-piles, retirez le bloc-piles dans le sens de la flèche et placez le bloc-piles dans un sac en plastique, puis rangez-la dans un endroit sec.

Rangement de l'aspirateur

Lorsque l'aspirateur est inutilisé depuis longtemps, retirez le bloc-piles, emballez le produit et stockez-le dans un endroit frais et sec, ne le mettez pas en plein soleil ou dans un environnement humide.



Notes de Sécurité

Cet aspirateur est conçu pour un usage domestique. Ne l'utilisez pas à des fins commerciales ou autres.

Veillez lire attentivement ce manuel d'instructions avant de l'utiliser et le conserver correctement pour une utilisation ultérieure.

Ne placez pas l'aspirateur à proximité d'un feu ou d'une autre installation à haute température.

N'utilisez pas ou ne stockez pas la machine dans des conditions extrêmement mauvaises, par exemple, une température extrême. Il est recommandé de l'utiliser à l'intérieur, à une température comprise entre 5 °C et 40 °C. Stockez la machine dans un endroit sec et évitez la lumière directe du soleil.

Chargez complètement la batterie avant la première utilisation ou après un long stockage.

Avant d'utiliser l'aspirateur, assurez-vous que le rouleau de brosses est assemblé, sinon cela peut entraîner un blocage du ventilateur du moteur, et donc une panne du moteur.

Veillez ne pas utiliser l'aspirateur pour aspirer du détergent, de l'huile, des scories de verre, des aiguilles, des cendres de cigarettes, de la poussière humide, de l'eau, des allumettes, etc.

N'utilisez pas l'aspirateur pour ramasser de petites particules telles que du ciment, de la poudre de plâtre, de la poudre de mur, ou de gros objets tels que des boules de papier, sinon cela entraînera des dysfonctionnements tels qu'un blocage et une panne de moteur.

Évitez de bloquer l'entrée d'air ou la brosse, cela pourrait entraîner une panne du moteur.

Ne mettez pas votre main ou votre pied dans l'entrée de la tête du plancher pour éviter de vous blesser.

Ne versez pas ou n'éclaboussez pas d'eau ou d'autres liquides dans la machine afin d'éviter tout court-circuit et de brûler la machine.

Si la brosse ne fonctionne pas, vérifiez si elle n'est pas empêtrée dans des cheveux ou d'autres fibres longues et nettoyez-la à temps.

En cas de stockage prolongé de la machine, assurez-vous que la batterie est entièrement chargée avant le stockage et chargez la machine au moins tous les trois mois.

Débranchez le chargeur pour nettoyer ou réparer la machine. Tenez le chargeur lorsque vous le branchez ou le débranchez, et ne tirez pas sur le cordon de charge.

Utilisez un chiffon sec pour nettoyer la machine. Les liquides tels que l'essence, l'alcool ou le diluant pour laque peuvent provoquer des fissures ou une décoloration et ne doivent pas être utilisés.

Si la machine ne fonctionne pas après avoir été complètement chargée, elle doit être vérifiée et réparée dans notre bureau désigné, veuillez ne pas démonter la machine par vous-même.

La machine mise au rebut contient des piles. Elles doivent être recyclées en toute sécurité. Ne les jetez pas au hasard.

Si le cordon d'alimentation est endommagé, pour éviter tout danger, il doit être remplacé ou réparé par le fabricant, repair ou un professionnel.

Cet appareil peut être utilisé par des enfants à partir de 8 ans et des personnes ayant des capacités physiques, sensorielles ou mentales réduites ou un manque d'expérience et de connaissances s'ils ont reçu une supervision ou des instructions concernant l'utilisation de l'appareil en toute sécurité et s'ils comprennent les risques encourus.

L'appareil ne doit être utilisé qu'avec le bloc d'alimentation fourni.

Résolution des problèmes

Veuillez vérifier les points suivants avant d'envoyer l'appareil à l'agent de réparation désigné.

Trouble	Causes possibles	Solutions
Le moteur ne fonctionne pas	le bloc-piles n'est pas alimenté	Chargez l'aspirateur
	Le tube métallique, la tête de plancher, le bloc-piles et l'aspirateur ne sont pas assemblés correctement.	Vérifiez que les accessoires sont correctement assemblés à l'aspirateur.
Gouttes d'aspiration	Tasse à poussière pleine	Nettoyez le godet à poussière
	Filtre bloqué	Nettoyez ou remplacez le filtre
	Passage d'air de la tête de plancher bloqué	Nettoyez le passage d'air de la tête de plancher
Temps de travail court après la charge	La machine n'est pas complètement chargée	Suivez le manuel d'instructions pour charger complètement le bloc-piles.
	Batterie vieillissante	Des batteries neuves peuvent être achetées auprès d'un distributeur local
L'indicateur de la teneur en poussière est toujours rouge	Capteur couvert de poussière	Nettoyez la poussière sur le capteur de poussière qui se trouve dans l'entrée d'aspiration de l'aspirateur à main

Lorsqu'il y a un défaut dans les composants électriques, qui nécessite un service après-vente professionnel pour l'instruction ou la réparation, l'écran LED affiche un avertissement de défaut avec un code d'erreur de F1 à F8. Veuillez contacter le service après-vente de l'agent local et fournir le code d'erreur.

Les défauts de F1 à F8 sont les suivants :

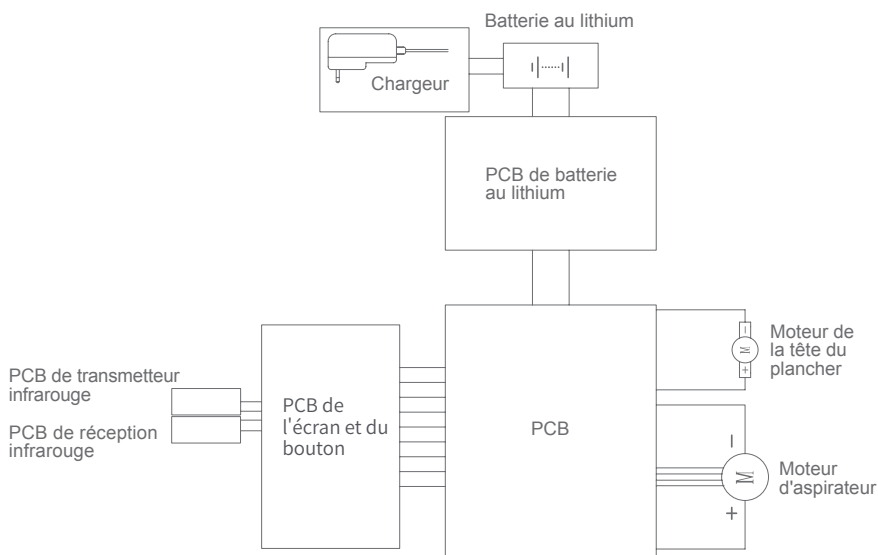
Code	Défauts	Solutions
F1	La bande de nickel de le bloc-piles est cassée	Remplacez ou réparez le bloc-piles
F2	Défaut du chargeur	Remplacez le chargeur
F3	Court-circuit du Moteur d'aspirateur	Remplacez le moteur d'aspiration
F4	Défaut des éléments de le bloc-piles	Remplacez ou réparez le bloc-piles
F5	Protection au premier niveau contre les surintensités pour le moteur d'aspirateur	Remplacez le moteur d'aspiration
F6	Protection au secondaire niveau contre les surintensités pour le moteur d'aspirateur	Remplacez le moteur d'aspiration
F7	Défaut du PCB ou fil du PCB desserré	Remplacez le PCB ou le fil du PCB
F8	NTC du bloc-piles anormal	Éteignez l'aspirateur et attendez que le bloc-piles refroidisse. Rallumez l'appareil Si le code d'erreur apparaît toujours, remplacez le bloc-piles

Attention: s'il y a d'autres défauts qui nécessitent des outils spéciaux, afin d'éviter tout danger, la réparation doit être effectuée par des professionnels du fabricant, un agent de réparation ou un agent similaire.

Paramètre technique

Modèle	H8 Flex
Tension nominale	25.2V---
Puissance nominale	550W
Tension d'entrée du chargeur	100-240V ~ 50/60Hz
Tension de sortie du chargeur	30V --- 600mA
Modèle de la tête de plancher électrique	T-EB110VE
Puissance nominale de la tête de plancher électrique	30W
Capacité du bloc-piles	2500mAh
Temps de charge	4-5h

Schéma du circuit



Informations sur le fabricant

Fabricant	Kingclean Electric Co., Ltd
Adresse	No.1 Xiangyang road, Suzhou New District, Jiangsu province, 215009, China



Mise au rebut

La machine, les accessoires et l'emballage doivent être triés pour un recyclage respectueux de l'environnement.



Ne pas jeter la machine dans les ordures ménagères !

Uniquement pour les pays de la CE :

Conformément à la directive européenne 2012/19/UE, les machines qui ne sont plus utilisables, et conformément à la directive européenne 2006/66/CE, le bloc de piles/batteries défectueux ou usagé, doivent être collectés séparément et éliminés de manière écologique.

Bloc de piles/batteries:

Les batteries intégrées ne peuvent être retirées pour être éliminées que par du personnel qualifié.

L'ouverture de la coque du boîtier peut endommager ou détruire la machine.

Ne pas jeter les blocs de batteries/piles dans les ordures ménagères, le feu ou l'eau. Le bloc de piles/batteries doit, si possible, être déchargé, collecté, recyclé ou éliminé d'une manière respectueuse de l'environnement.

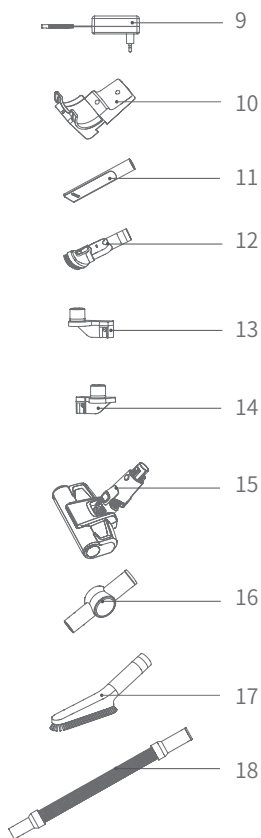
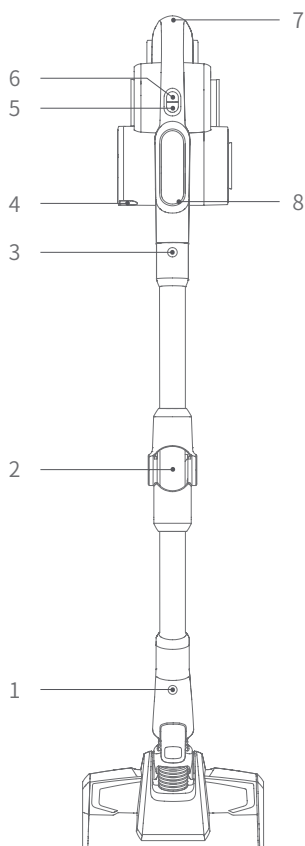
Sous réserve de modifications sans préavis.

Informations sur la garantie

Ce produit est couvert par une garantie de deux ans à compter de la date d'achat.

Elle ne couvre pas l'usure normale, l'utilisation commerciale, les modifications apportées à l'équipement après l'achat, les activités de nettoyage, la mauvaise utilisation, les dommages causés par l'acheteur ou par des tiers, les dommages imputables à l'environnement extérieur.

Denominazione parti aspirapolvere



1. Pulsante di rilascio spazzola motorizzata principale
3. Pulsante di rilascio tubo metallico
5. Pulsante Switch MODE
7. Pulsante di rilascio batteria
11. Bocchetta per fessure 2 in1
13. Porta accessori sinistro
15. Spazzola motorizzata per materasso
17. Spazzola morbida

2. Tubo metallico flessibile
4. Apertura sportello contenitore della polvere
6. Pulsante On/Off
8. Schermo a LED
10. Supporto di ricarica
12. Bocchetta per imbottiti 2 in1
14. Porta accessori destro
16. Connettore
18. Tubo flessibile

Contenuto della confezione

Nome	Corpo Aspirapolvere	Spazzola motorizzata principale	Spazzola motorizzata per materasso	Bocchetta per imbottiti 2in1	Bocchetta per fessure 2in1
Quantità	1	1	1	1	1
Nome	Spazzola morbida	Supporto di ricarica	Connettore	Tubo flessibile	Tubo metallico flessibile
Quantità	1	1	1	1	1
Nome	Alimentatore	Viti	Tubo di espansione	Manuale d'uso	Porta accessori
Quantità	1	4	2	1	2

Installazione dell'apparecchio

Assemblaggio della spazzola motorizzata principale con il tubo metallico

Prendere la spazzola motorizzata principale con una mano e usare l'altra per inserire il tubo metallico verticalmente sulla spazzola, allineare e premere finché non si sente il "click".

Attenzione: tenere la maniglia e la spazzola motorizzata nella stessa direzione, in modo da essere allineati con l'impugnatura.

Durante l'imballaggio, la conservazione o la pulizia, se la spazzola motorizzata principale necessita di essere rimossa, premere il pulsante di rilascio della spazzola come in foto e tirare la spazzola motorizzata nella direzione mostrata nell'immagine.

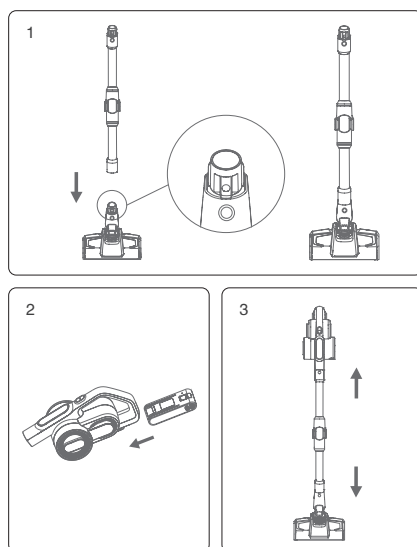
Installazione della batteria e dell'aspirapolvere portatile

Installazione della batteria: tenere l'aspirapolvere portatile con una mano, prendere la batteria con l'altra mano, allineare alle guide, inserire la batteria nella direzione mostrata dalla freccia nell'immagine; quindi tirare la batteria dopo l'installazione per assicurarsi che non si allenti.

Attenzione: quando l'aspirapolvere rimane fermo per molto tempo, si prega di rimuovere la batteria, imballare l'aspirapolvere e conservarlo in un luogo fresco e asciutto; evitare la luce diretta del sole o ambienti umidi.

Installazione del tubo metallico e dell'aspirapolvere portatile

Innanzitutto, installare la spazzola motorizzata al tubo metallico, secondo la procedura sopra descritta.



Installazione della spazzola motorizzata principale con il tubo metallico all'aspirapolvere portatile: come mostrato dall'immagine, allineare il tubo metallico flessibile all'aspirapolvere portatile e spingere verso l'alto finché non si sente un "click".

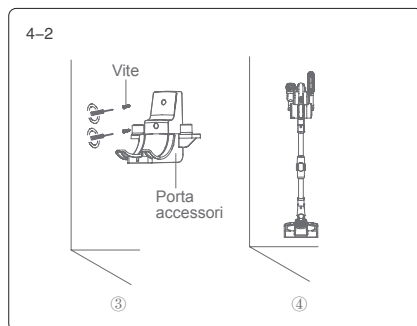
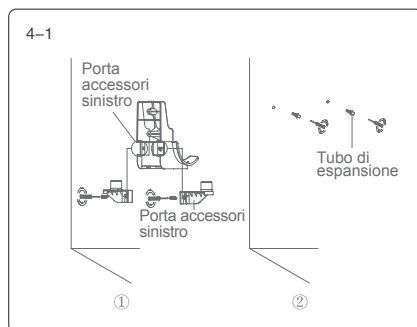
Installazione supporto di ricarica







Assemblare il porta accessori al gancio, dopodiché assicurare il porta accessori con le viti. Posizionare l'aspirapolvere sul supporto appoggiandolo al muro e collocare l'aspirapolvere portatile in modo che la base della spazzola motorizzata non tocchi terra.

Rimuovere l'aspirapolvere portatile, posizionare il tubo di espansione sulla parete e fissare ad esso il supporto con le viti. Al termine dell'installazione, posizionare l'aspirapolvere sul supporto di ricarica per caricarlo o conservarlo. (Attenzione: non installare il supporto in bagno o su altre pareti umide.)

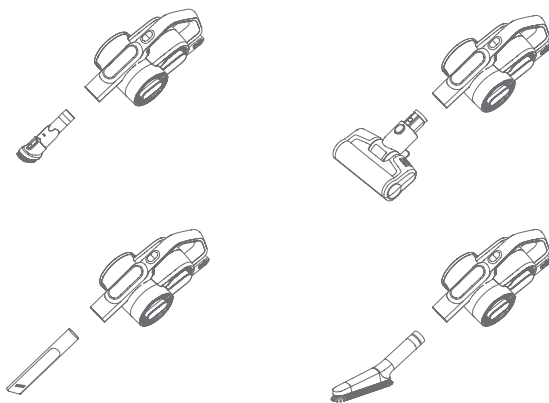
Installazione degli accessori

Per comodità di utilizzo, questo prodotto è equipaggiato di alcuni accessori per la parte portatile dell'aspirapolvere. Quando si utilizza solamente la parte portatile dell'aspirapolvere è possibile connettere direttamente gli accessori in base alle necessità oppure collegare gli accessori tramite il tubo flessibile.

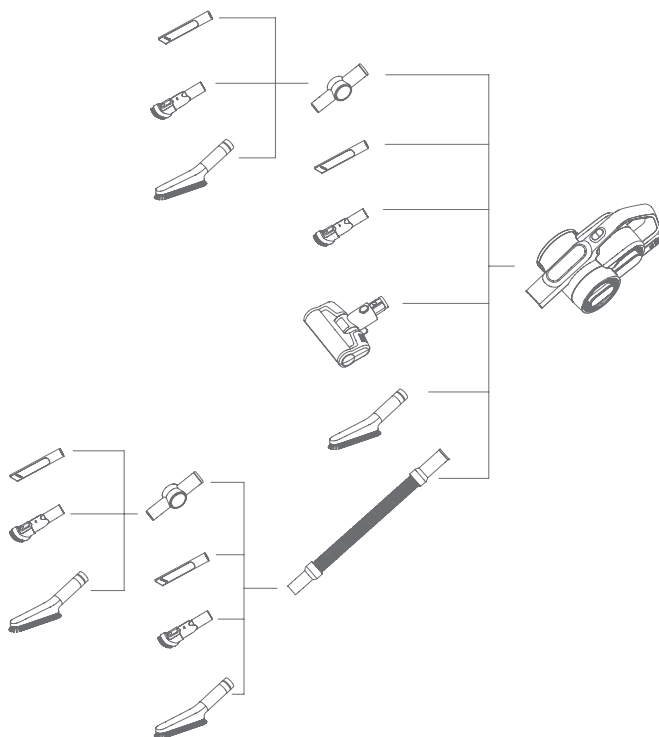


Nome	Modello	H8 Flex
Spazzola motorizzata per materassi		
Tool Bocchetta per imbottiti 2 in 1		
Bocchetta per fessure 2 in 1		
Spazzola morbida		
Tubo flessibile		
Connettore		

Collega la spazzola motorizzata per materasso, la bocchetta per fessure o imbottiti e la spazzola morbida per spolverare come nelle immagini.



Lista combinazioni degli accessori



Utilizzo dell'aspirapolvere

Ricarica

Attenzione: quando si utilizza l'apparecchio per la prima volta, la carica della batteria non è piena. È necessario ricaricare l'aspirapolvere prima dell'utilizzo.

Ricarica dell'aspirapolvere

Quando la potenza dell'aspirapolvere è insufficiente, caricarlo tempestivamente; Quando la tensione è troppo bassa, per proteggere la batteria, l'aspirapolvere si spegne automaticamente, a questo punto l'aspirapolvere necessita di essere ricaricato. Durante la ricarica, collegare il connettore del caricabatterie alla presa di alimentazione A/C, collegare un'altra estremità del caricabatterie alla batteria per iniziare a caricare. Quando il display a LED dell'aspirapolvere portatile mostra un aumento di percentuale, significa che l'aspirapolvere è in carica. Quando la ricarica è completa, il display a LED mostra il 100% di ricarica.

Se il pacco batteria viene caricato separatamente senza essere assemblato sulla macchina, durante la carica, l'indicatore nel pacco batteria è rosso e diventa verde al termine della carica.

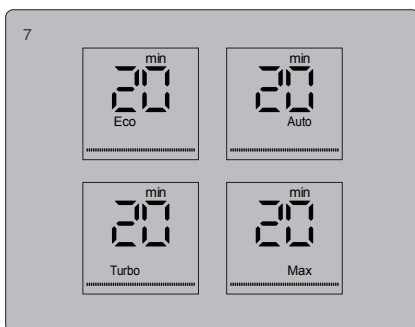
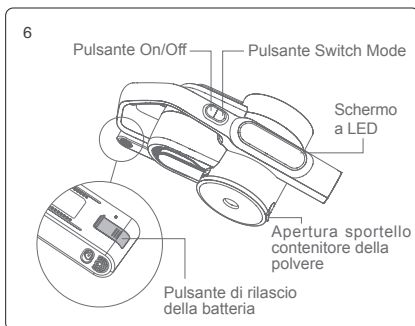
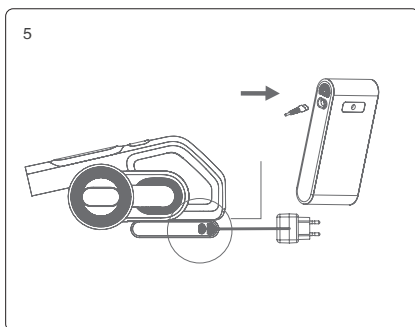
Attention:

1. quando la potenza della batteria è inferiore a $\leq 20\%$, se l'apparecchio aspira in modalità Max passerà automaticamente in modalità Eco. Quando la batteria è scarica l'aspirapolvere si spegne automaticamente.
2. se l'aspirapolvere rimane fermo per un lungo periodo, ricaricare la batteria ogni 3 mesi per evitare guasti alla stessa.
3. Dopo la ricarica, si prega di staccare l'alimentatore dalla presa di corrente e fermare, dunque, la ricarica.
4. se il cavo di alimentazione è danneggiato, per evitare pericoli, deve essere sostituito dal personale professionale del produttore o presso un centro assistenza autorizzato.

Utilizzo dell'aspirapolvere portatile e funzioni dello schermo a LED

Estrarre l'aspirapolvere dal supporto, premere il pulsante On/Off per accendere o spegnere l'aspirapolvere. Il pulsante MODE regola la modalità di funzionamento. Quando l'apparecchio è acceso, aspira in modalità Auto, premere il pulsante MODE per passare alla sequenza di modalità Turbo- Max - Eco-Auto. Durante il cambio di aspirazione, la modalità in uso verrà mostrata sullo schermo a LED.

Al centro dello schermo a LED viene indicata l'autonomia residua nella modalità in uso. Quando la modalità di aspirazione cambia, anche l'autonomia cambia di conseguenza.



Quando l'apparecchio aspira in modalità Max e la carica della batteria scende sotto al 20%, per aumentare l'autonomia l'aspirapolvere passa automaticamente dalla modalità Max a quella Eco . Quando la batteria viene ricaricata oltre il 20% l'apparecchio può riprendere il funzionamento in modalità Max .

Quando l'apparecchio aspira in modalità Auto , adatterà la potenza di aspirazione in base alla presenza di polvere ed alla superficie aspirata, in modo da garantire una pulizia efficiente. In modalità Auto lo schermo a LED indicherà Auto indipendentemente dalla potenza di aspirazione.

L'aspirapolvere è dotato di un sensore della polvere. Sulla parte inferiore dello schermo a LED è presente una striscia luminosa che mostra il contenuto di polvere rilevato. Man mano che la quantità di polvere rilevata diminuisce la barra passa dall'essere rossa a blu. Quando la striscia è completamente blu significa che la superficie è pulita. Il grado di pulizia della superficie può essere monitorato direttamente dallo schermo a LED.

Utilizzo del tubo metallico flessibile

Il tubo flessibile ha 2 modalità d'uso: verticale e piegato. La modalità verticale è equivalente ad un normale tubo metallico. La modalità piegata può essere utilizzata per pulire sotto a tavoli, letti, ecc. . Quando si ha bisogno di piegare il tubo metallico, premere il pulsante di piegatura, come mostrato dall'immagine, così potrà raggiungere un angolo di piegatura di 0-90°.

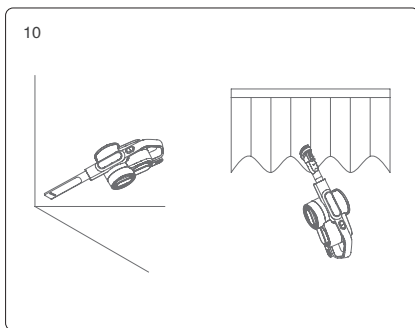
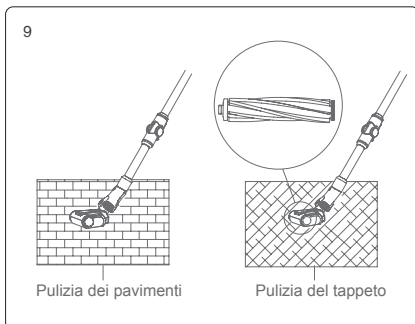
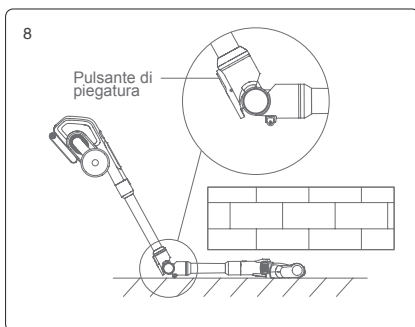
Utilizzo della spazzola motorizzata principale

La spazzola motorizzata principale è adatta per la pulizia di tutti i tipi di pavimento, piastrelle e moquette, ecc. . L'apparecchio è dotato di una spazzola per tappeti extra che può essere sostituita alla spazzola a rullo per pavimenti per la pulizia dei tappeti.

Attenzione: durante il funzionamento della spazzola motorizzata, qualora la spazzola dovesse erroneamente aspirare materiale voluminoso o dovesse avere fibre attorcigliate, o nel caso in cui un bambino abbia inserito una mano o un gioco nella spazzola, che hanno causato un arresto anomalo nella rotazione del rullo, la spazzola motorizzata si spegnerà, per proteggere la sicurezza personale e il motore della spazzola.

Utilizzo degli accessori

Bocchetta per fessure 2in1: adatta per la pulizia di fessure, porte, infissi e altre superfici strette.



Bocchetta per imbottiti 2in1: adatta per la pulizia di armadi, davanzali, divani e tavoli.

Spazzola morbida: adatta per pulire facilmente mobili delicati, come librerie in legno, mobili artigianali, ecc.

Tubo flessibile: adatto alla connessione con gli altri accessori per la pulizia di aree difficili da raggiungere.

Spazzola motorizzata per materassi: adatta per divani e materassi. Il rullo della spazzola batte e quindi rimuove gli acari della polvere e gli allergeni da divani e letti, anche in profondità.

Connettore: può essere collegato agli altri accessori e piegato in diverse angolazioni per aspirare la polvere sopra i mobili alti.

Pulizia e sostituzione degli accessori

Attenzione:

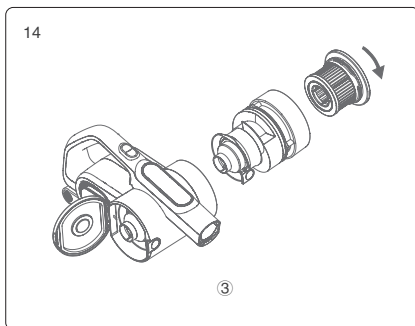
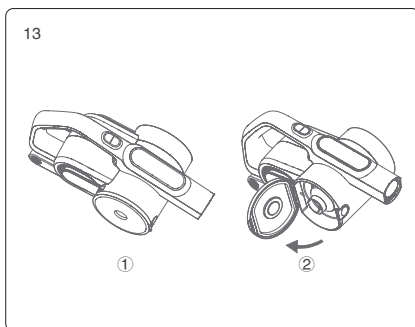
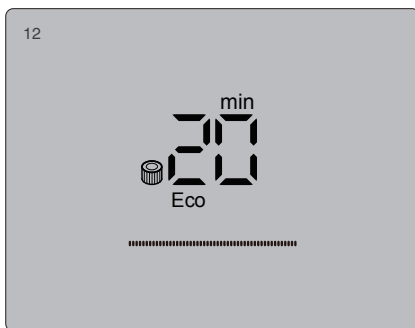
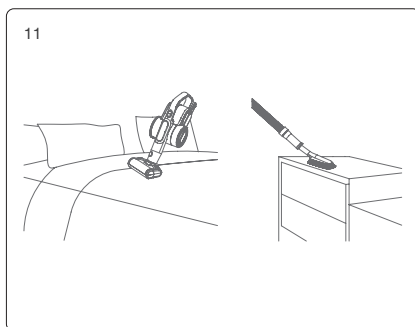
1. Il filtro HEPA è acquistabile presso i distributori locali.
2. Si raccomanda di pulire il contenitore della polvere dopo ogni utilizzo; quando il contenitore è pieno o il filtro HEPA ostruito è necessario pulirli e all'occorrenza sostituire il filtro HEPA.
3. La spazzola motorizzata, dopo un utilizzo prolungato, potrebbe rimanere ostruita dai capelli. È necessario pulirla tempestivamente per mantenere l'aspirazione più efficiente.

Pulizia del contenitore della polvere e del sistema di filtrazione

Quando il contenitore della polvere è pieno o il filtro HEPA intasato, lo schermo a LED mostrerà l'icona del filtro HEPA per rimandare alla pulizia di contenitore e filtro. Si prega di pulire il contenitore della polvere ed il filtro HEPA tempestivamente. Sostituire il filtro HEPA se necessario.

Step per la pulizia del contenitore della polvere e del sistema di filtrazione:

1. Tirare verso il basso il coperchio del contenitore della polvere per aprirlo e svuotarlo.



2. Prendere il coperchio superiore e ruotare in senso antiorario, rimuovere il sistema di filtrazione HEPA dall'aspirapolvere portatile per pulirlo.

3. Tenere la parte superiore del gruppo ciclone e ruotare in senso antiorario, rimuovere il gruppo ciclone dall'aspirapolvere portatile e pulirlo.

4. Se il filtro HEPA necessita di essere lavato, rimuoverlo dal coperchio superiore ruotandolo in senso orario per lavarlo. Prima del reinserimento il filtro HEPA deve essere completamente asciutto.

5. Dopo la pulizia riassemblare le parti seguendo la procedura contraria al disassemblaggio.

Pulizia della spazzola a rullo

1. Rimuovere il gancio di rilascio della spazzola a rullo nella direzione della freccia per togliere il coperchio laterale.

2. Rimuovere un'estremità della spazzola a rullo, quindi estrarla dall'ugello per pulirla.

3. Dopo la pulizia o la sostituzione della spazzola a rullo, installare nuovamente la spazzola seguendo la procedura inversa al disassemblaggio.

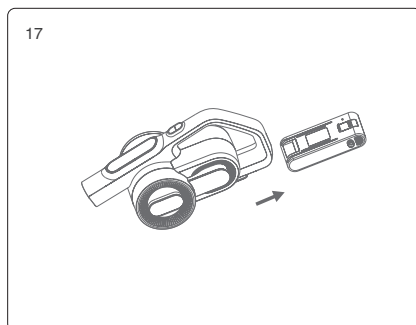
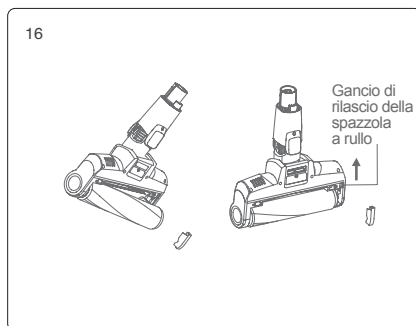
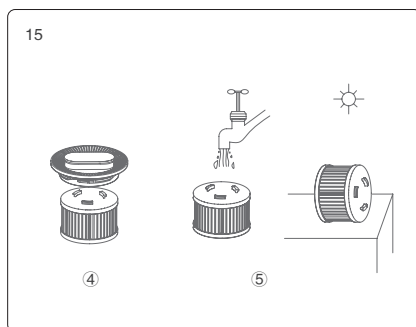
Conservazione dell'aspirapolvere

Rimozione della batteria

Premere il pulsante di rilascio della batteria, estrarre la batteria nella direzione della freccia e riporla in una busta di plastica, quindi conservarla in un luogo asciutto.

Conservazione dell'aspirapolvere

Quando l'aspirapolvere rimane fermo per un lungo periodo, rimuovere la batteria, imballare l'apparecchio e conservarlo in un luogo fresco e asciutto, non riporlo a diretto contatto con i raggi solari o in ambienti umidi.



Note di sicurezza

Questo aspirapolvere è stato progettato per uso domestico. Non utilizzare per scopi commerciali o altro.

Si prega di leggere questo manuale d'uso con attenzione prima dell'utilizzo e di conservarlo per riferimenti futuri.

Non tenere l'aspirapolvere vicino a fonti di calore o impianti ad alta temperatura.

Non utilizzare o conservare l'apparecchio in condizioni estreme, per esempio a temperature estreme. Si raccomanda l'utilizzo all'interno, ad una temperatura tra i 5 °C e i 40 °C. Conservare l'aspirapolvere in luoghi asciutti ed evitare la luce diretta del sole.

Eseguire una ricarica completa della batteria prima del primo utilizzo o dopo un periodo di fermo.

Prima dell'utilizzo, assicurarsi che la spazzola rotante sia installata correttamente, altrimenti potrebbe causare il blocco della ventola e bruciare il motore.

Si prega di non utilizzare l'aspirapolvere per aspirare detersivo, olio, schegge di vetro, aghi, cenere di sigaretta, polvere bagnata, acqua, fiammiferi, ecc.

Si prega di non utilizzare l'aspirapolvere per aspirare particelle piccole, come cemento, gesso in polvere, muro, oppure oggetti di grandi dimensioni, come palle di carta, altrimenti potrebbero causare malfunzionamenti come blocco e bruciatura del motore.

Evitare di bloccare la bocchetta di ingresso dell'aria o la spazzola rotante, potrebbe causare guasti al motore.

Non mettere le mani o i piedi nell'ingresso della spazzola per evitare infortuni.

Non versare e spruzzare acqua o altri liquidi sull'apparecchio per prevenire cortocircuiti ed il danneggiamento dello stesso.

Se la spazzola non funziona, verificare che sia libera da capelli o altre fibre lunghe e pulirla tempestivamente.

Quando non si utilizza l'apparecchio per un lungo periodo, assicurarsi che la batteria sia stata caricata completamente e ricaricarla ogni 3 mesi.

Scollegare il caricabatteria per pulire o riparare l'apparecchio. Sostenere il caricatore quando si collega o scollega, senza tirare il cavo.

Utilizzare un panno asciutto per pulire l'aspirapolvere. Non utilizzare liquidi come benzina, alcool, diluenti per smalto, ecc., che potrebbero causare crepe o lo sbiadimento dei colori.

Se l'apparecchio non funziona dopo una ricarica completa, deve essere controllato e riparato presso un centro assistenza; si prega di non smontare la macchina da soli.

L'apparecchio contiene batterie. Devono essere smaltite e riciclate in modo sicuro.

In presenza di danni al cavo di alimentazione rivolgersi al centro assistenza del produttore.

Questo aspirapolvere può essere utilizzato da bambini di età superiore agli 8 anni e persone con disabilità sotto supervisione oppure previa raccomandazione su utilizzo sicuro e rischi.

Utilizzare solo con l'alimentatore in dotazione con l'aspirapolvere.

Risoluzione dei problemi

Si prega di verificare i seguenti problemi prima di spedire i prodotti verso i centri assistenza designati.

Problema	Possibili cause	Soluzioni
Il motore non si avvia	La batteria è scarica	Ricarica l'aspirapolvere
	Il tubo metallico, la spazzola, la batteria o l'aspirapolvere portatile non sono installati correttamente	Verificare che tutti gli accessori siano fissati correttamente all'aspirapolvere portatile
L'aspirazione è ridotta	Contenitore della polvere pieno	Pulire il contenitore della polvere
	Filtro ostruito	Pulire o sostituire il filtro HEPA
	Passaggio dell'aria bloccato o spazzola a rullo bloccata	Pulire la spazzola motorizzata e a rullo
Riduzione di autonomia	L'apparecchio non è completamente carico	Segui le istruzioni presenti sul manuale per ricaricare completamente la batteria
	Batteria vecchia	La nuova batteria può essere acquistata presso i distributori locali
L'indicatore di rilevamento della polvere è sempre rosso	Sensore della polvere coperto da polvere	Pulire il sensore dalla polvere che si trova nella presa di aspirazione dell'aspirapolvere portatile

Quando sono presenti difetti alle componenti elettriche, che richiedono l'intervento di un centro assistenza, apparirà sullo schermo a LED un avviso con un codice di errore da F1 a F8. Si prega di contattare il centro assistenza locale e fornire il codice di errore.

I guasti da F1 a F8 corrispondono a quanto segue:

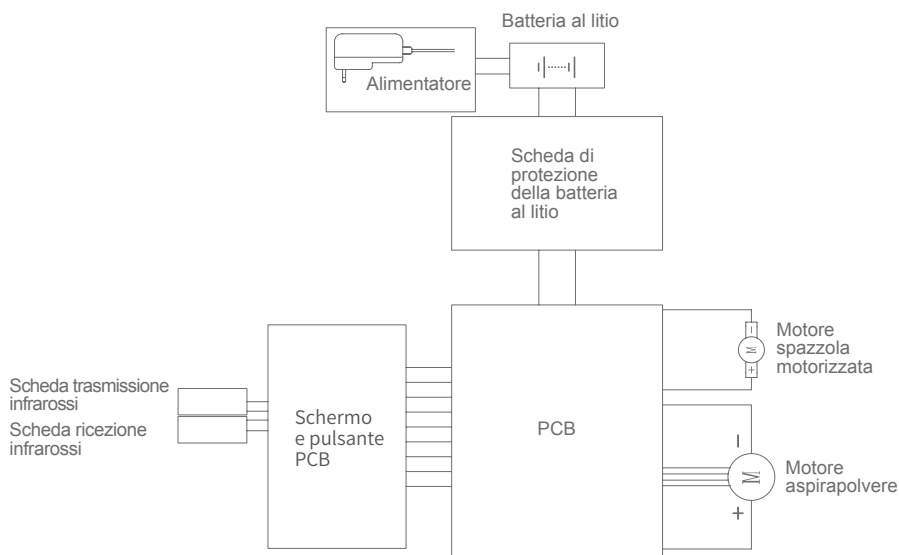
Codice	Guasto	Soluzioni
F1	La striscia di nichel della batteria è rotta	Riparazione o sostituzione della batteria
F2	Caricabatterie difettoso	Sostituzione caricabatterie
F3	Corto circuito al motore	Sostituzione del motore
F4	Celle della batteria difettose	Sostituzione o riparazione della batteria
F5	Protezione primaria da sovracorrente del motore	Sostituzione motore
F6	Protezione secondaria da sovracorrente del motore	Sostituzione motore
F7	PCB difettoso o cavo PCB allentato	Sostituzione PCB o cavo PCB
F8	Pacco batteria NTC anormale	Spegnere l'aspirapolvere e attendere che la batteria si raffreddi. Riaccenderla. Se il codice di errore appare ancora, sostituire la batteria

Attenzione: qualora si verificassero altri guasti che richiedano l'intervento di un professionista, al fine di prevenire pericoli, l'apparecchio dovrà essere riparato o sostituito presso il produttore o presso i centri assistenza autorizzati.

Specifiche tecniche

Modello	H8 Flex
Tensione nominale	25.2V $\overline{---}$
Potenza nominale	550W
Tensione in ingresso del caricabatterie	100-240V ~ 50/60Hz
Tensione in uscita del caricabatterie	30V $\overline{---}$ 600mA
Modello spazzola elettrica	T-EB110VE
Potenza nominale della spazzola elettrica	30W
Capacità della batteria	2500mAh
Tempo di ricarica	4-5h

Schema elettrico



Informazioni sul produttore

Produttore	Kingclean Electric Co., Ltd
Indirizzo	No.1 Xiangyang road, Suzhou New District, Jiangsu province, 215009, China



Disposizione

La macchina, gli accessori e l'imballaggio devono essere suddivisi per un riciclo rispettoso dell'ambiente.



Non smaltire l'aspirapolvere e le sue parti assieme ai rifiuti domestici!

Solo per Paesi EC:

in accordo con la Direttiva Europea 2012/19/EU, i dispositivi elettronici non più utilizzabili, e secondo la Direttiva Europea 2006/66/CE, i pacchi/batterie difettosi o usati, devono essere raccolti separatamente e smaltiti nel rispetto dell'ambiente.

Pacchi batteria/Batterie:

Le batterie integrate possono essere rimosse per lo smaltimento solo da personale qualificato.
Subject to change without notice.

L'apertura del guscio dell'alloggiamento può danneggiare o distruggere la macchina.

Non smaltire le batterie/pacchi batteria nei rifiuti domestici, nel fuoco o nell'acqua. Se possibile, i pacchi batteria/le batterie devono essere scaricati, raccolti, riciclati o smaltiti nel rispetto dell'ambiente.

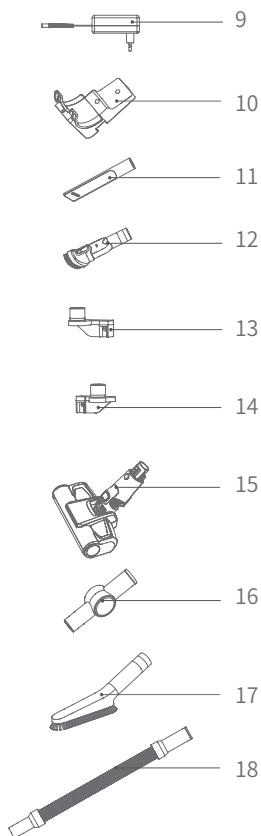
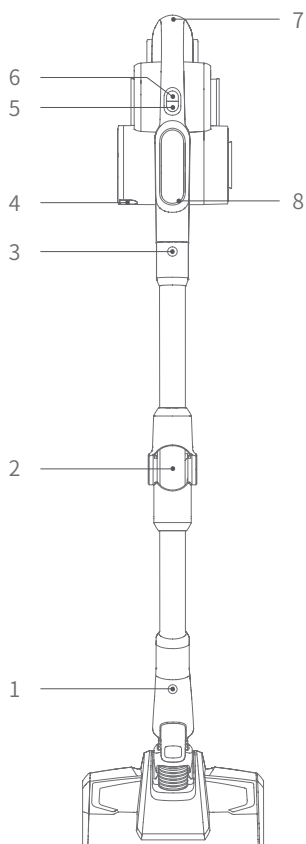
Con riserva di modifiche senza preavviso.

Informazioni sulla garanzia

Questo prodotto gode di due anni di garanzia dalla data di acquisto.

Sono escluse dalla garanzia la normale usura, l'uso commerciale, le alterazioni dell'apparecchio, le attività di pulizia non consone, l'utilizzo improprio o i danni causati da parte dell'acquirente o di terzi, danni imputabili a circostanze esterne.

Nombre de las piezas



- 1. Botón de liberación del cabezal del suelo
- 3. Botón metálico de liberación del tubo
- 5. Botón Modo
- 7. Botón de liberación de la batería
- 9. Cargador
- 11. Herramienta de cremallera
- 13. Soporte accesorio izquierdo
- 15. Cepillo eléctrico para eliminar los ácaros del polvo
- 17. Cepillo suave

- 2. Tubo de metal flexible
- 4. Pestillo de liberación del contenedor de polvo
- 6. Botón de encendido/apagado
- 8. Pantalla LED
- 10. Soporte de carga
- 12. Herramienta de tapiz
- 14. Soporte accesorio derecho
- 16. Conector
- 18. Manguera estirada

Lista de embalaje

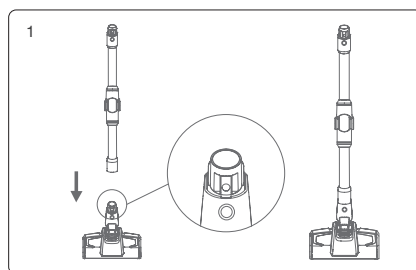
Nombre	Aspiradora de mano	Cabezal de suelo eléctrico	Cepillo eléctrico para eliminar los ácaros del polvo	Herramienta de tapicería	Herramienta para hendiduras
Importe	1	1	1	1	1
Nombre	Cepillo suave	Soporte de carga	Conector	Manguera estirada	Tubo metálico flexible
Importe	1	1	1	1	1
Nombre	Cargador	Tornillos	Manguera de expansión	Manual de instrucciones	Soporte accesorio
Importe	1	4	2	1	2

Montaje del producto

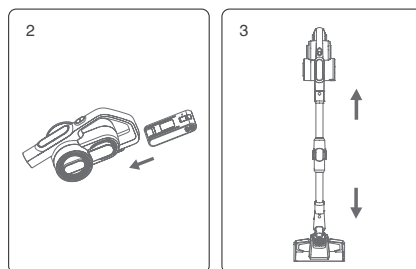
Montaje del cabezal de suelo eléctrico con el tubo metálico

Sujeta el cabezal de tierra con la mano izquierda, utiliza la mano derecha para introducir el tubo metálico verticalmente en el cabezal de tierra, alinéalo con la aguja conductora, presiona el tubo hasta que oigas un "clic".

Atención: Mantenga el mango y la cabeza del suelo en la misma dirección, la aguja conductora debe estar alineada con el enchufe.



Cuando empaque, almacene o limpie, si el cabezal eléctrico para pisos necesita ser removido, presione el botón de liberación del cepillo como se muestra en la foto y jale el cabezal eléctrico para pisos en la dirección mostrada en la foto.



Montaje del paquete de baterías y de la aspiradora de mano

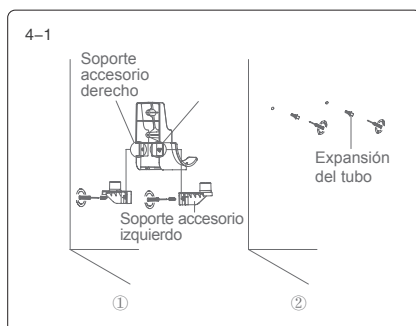
Montaje del paquete de baterías: Sujete la aspiradora de mano con una mano, sujete el paquete de baterías con la otra, enrosque la ranura de la guía en el cuerpo, deslice el paquete de baterías en la dirección de la flecha que se muestra en la imagen. Tire del paquete de baterías después de la instalación para asegurarse de que no se desprende.

Atención: Cuando la aspiradora no se haya utilizado durante mucho tiempo, extraiga el paquete de baterías, empaque el producto y guárdelo en un lugar fresco y seco, evitando la luz solar directa o un ambiente húmedo.

Montaje del tubo metálico y de la aspiradora de mano

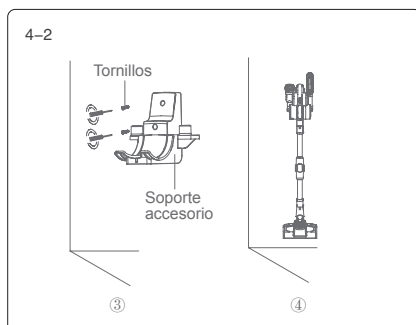
En primer lugar, monte el cabezal de suelo y el tubo metálico según el método de montaje del cabezal de suelo eléctrico y el tubo metálico.

Monte el cabezal de suelo con el tubo metálico y la aspiradora de mano: como se muestra en la imagen, alinee la aguja conductora del tubo metálico con el acoplamiento de la boquilla de aspiración, empuje hacia arriba hasta que oiga un "clic".



Montaje del estante de carga

Ajuste el soporte de fijación al taladro y apriete el soporte de fijación con los tornillos. Coloque la aspiradora en el soporte, y presione la aspiradora contra la pared, coloque el soporte en la posición en la que la cabeza de la aspiradora no toque el suelo. Retire la aspiradora de mano, coloque la manguera de expansión en la pared y coloque el soporte en la posición de la manguera de expansión, luego bloquee el tornillo. Una vez terminado el montaje, coloque la aspiradora en el soporte cargador para cargarla o guardarla. (Atención: no fije el soporte en el baño o en otra pared húmeda).

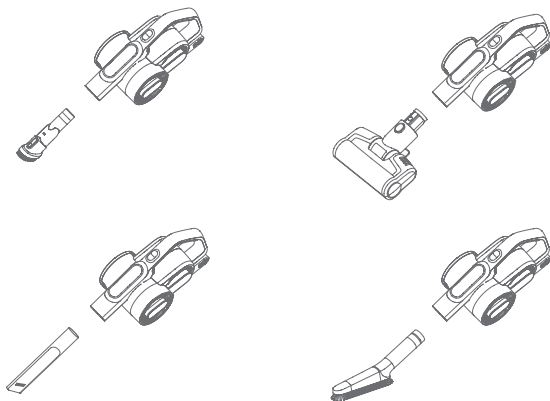


Montaje de los accesorios

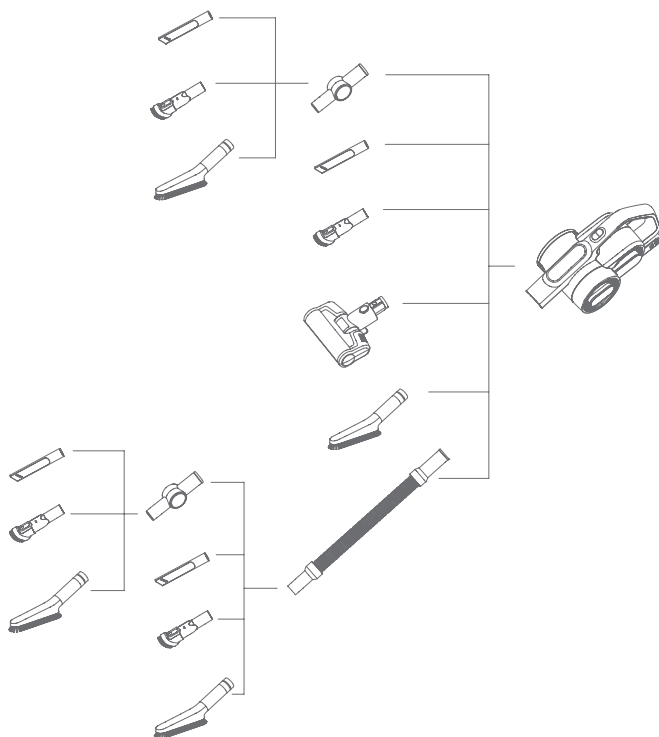
Para facilitar su uso, este producto está especialmente equipado con algunos accesorios para la parte manual de la aspiradora. Si utiliza la aspiradora de mano sola, puede conectar los accesorios directamente según sus necesidades o conectar los accesorios a través de la manguera extensible.

Nombre	Modelo	H8 Flex
Cepillo eléctrico para eliminar los ácaros		
Herramienta de tapicería		
Herramienta para hendiduras		
Cepillo suave		
Manguera estirada		
Conector		

Conecte el cepillo eléctrico para ácaros, la herramienta para hendiduras, la herramienta para tapicerías y el cepillo suave a la aspiradora de mano, como se muestra en la foto.



Lista de conexiones de accesorios



Uso de la aspiradora

Carga

Atención: al utilizar el producto por primera vez, el paquete de baterías no está lleno. Es necesario cargar la aspiradora antes de utilizarla.

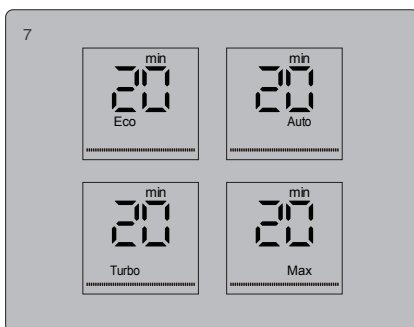
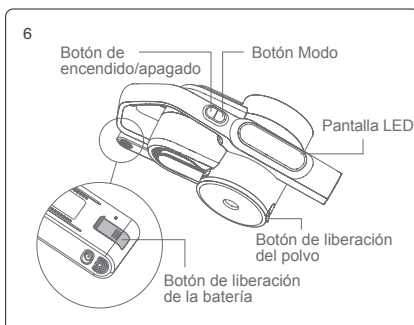
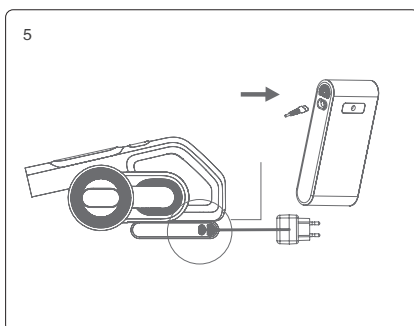
Carga la aspiradora

Cuando la potencia de la aspiradora es insuficiente, cargue la aspiradora a tiempo; Cuando el voltaje es demasiado bajo, para proteger el paquete de baterías, la aspiradora se apagará automáticamente, por lo que la aspiradora debe ser recargada. Al recargar, enchufe el conector del cargador en la toma de corriente de CA, Inserte el otro extremo del cargador en la batería para iniciar la carga. Cuando la pantalla LED de la aspiradora de mano muestra un aumento de potencia, indica que la aspiradora se está cargando. Cuando la carga esté completa, la pantalla LED mostrará el 100% de energía.

Si la batería no está montada en la máquina y se carga por separado, la luz indicadora en la batería es roja durante la carga y se vuelve verde después de la carga.

Atención:

1. cuando la energía del paquete de baterías es inferior al $\leq 20\%$, si el producto está funcionando en modo Max, pasará automáticamente al modo Eco. Cuando la batería se agota, el producto se apaga automáticamente.
2. si la aspiradora se deja inactiva durante un largo periodo de tiempo, recargue el paquete de baterías cada tres meses para evitar que se estropee.
3. Después de la carga, retire el enchufe del cargador de la toma de corriente y deje de cargar.
4. si el cable de alimentación está dañado, para evitar peligros, debe ser sustituido por el personal profesional del fabricante, un agente de reparación o un servicio similar.



Uso de la aspiradora de mano y del contenido de la pantalla LED

Retire la aspiradora del soporte de almacenamiento, pulse el botón de encendido/apagado para poner en marcha o detener la aspiradora. El botón de modo se utiliza para ajustar el modo de funcionamiento. Cuando el aparato se enciende, funciona en modo Auto, pulse el botón de modo para cambiar al modo Turbo-Max - Eco-Auto. Durante el cambio de modo, el modo se muestra en la pantalla LED.

El centro de la pantalla LED muestra el tiempo de funcionamiento restante del producto en el modo actual. Cuando se cambia el modo, el tiempo de funcionamiento restante también cambia en consecuencia.

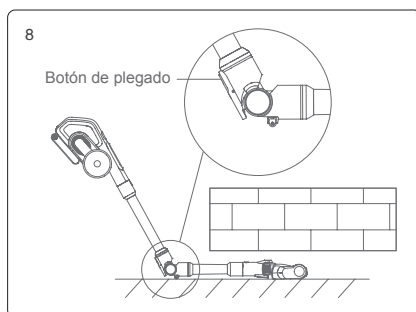
Cuando el producto está funcionando en modo Max y la energía de la batería cae por debajo del 20%, para prolongar el tiempo de funcionamiento del producto, éste cambiará automáticamente del modo Max al modo Eco. Una vez que el paquete de baterías está cargado más del 20%, el producto puede funcionar en modo Max.

Cuando el producto funciona en modo Auto, ajusta la potencia de trabajo según el contenido de polvo y el tipo de suelo que detecta, para conseguir una mayor eficacia de limpieza. En el modo Auto, la pantalla LED muestra Auto independientemente de la potencia de trabajo.

El producto está equipado con un sensor de contenido de polvo. En la pantalla LED inferior hay una franja luminosa que muestra el contenido de polvo. Cuando el contenido de polvo disminuye, el color rojo disminuye y el azul aumenta. Cuando la tira es completamente azul, la superficie de limpieza está limpia. La limpieza de la superficie de limpieza se puede indicar visualmente en la pantalla LED.

Utilisation del tubo metálico flexible

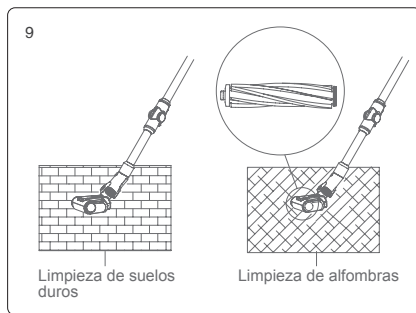
El tubo metálico flexible tiene dos modalidades: vertical y de flexión. El modo vertical es equivalente al tubo metálico normal. El modo de flexión se puede utilizar para limpiar debajo de la mesa, debajo de la cama, etc. Cuando se necesita el modo de flexión, pulse el botón de flexión como se muestra en la imagen g, y el tubo de metal puede alcanzar un ángulo de flexión de 0-90°.



Uso del cabezal eléctrico de suelo

El cabezal eléctrico para suelos es adecuado para todo tipo de suelos, como suelos duros, baldosas y alfombras, etc. El producto viene con un rodillo de cepillo de alfombra adicional que puede ser sustituido por el cabezal de suelo para limpiar las alfombras a fondo.

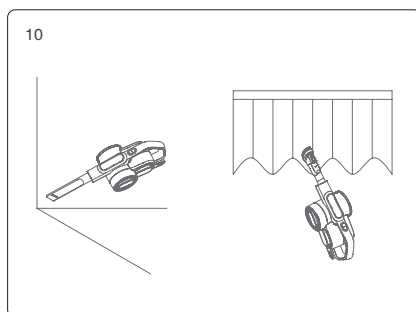
Atención: Durante el funcionamiento del cabezal eléctrico para suelos, si hay un gran volumen de materias extrañas inhaladas o demasiadas fibras enrolladas, o incluso un niño en el juego de la máquina ha metido por error la mano en la boquilla, lo que hace que el cepillo se detenga anormalmente, el cabezal eléctrico para suelos dejará de funcionar, con el fin de proteger la seguridad de las personas y del motor del cepillo.



Uso de los accesorios

Herramienta para hendiduras: adecuada para limpiar grietas, esquinas de puertas o ventanas y otros espacios estrechos.

Herramienta para tapicería: adecuada para limpiar armarios, alféizares, sofás y mesas.



Cepillo suave: adecuado para la limpieza de muebles fáciles de rayar, como librerías, artesanías, etc.

Manguera estirada: adecuada para conectarla a otras herramientas para limpiar zonas de difícil acceso.

Cepillo eléctrico para eliminar los ácaros del polvo: adecuado para los colchones de los sofás y las camas. El rodillo del cepillo golpea y limpia los ácaros del polvo y los alérgenos de los sofás o las camas profundas.

Conector: puede conectarse a otras herramientas y doblarse en diferentes ángulos para limpiar el polvo en la parte superior de los armarios altos o el polvo en el techo.

Limpieza y sustitución de piezas

Atención:

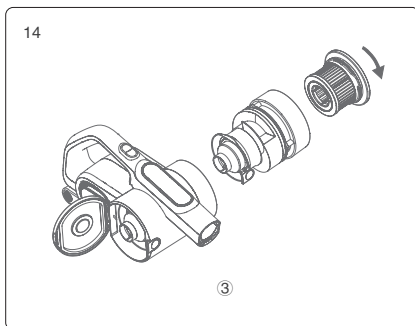
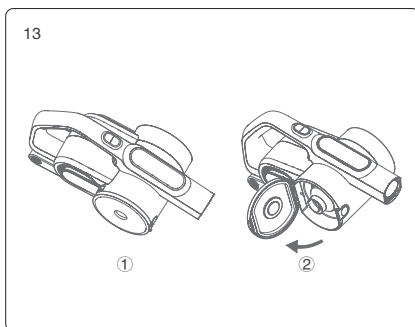
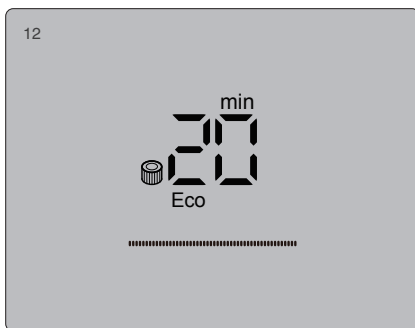
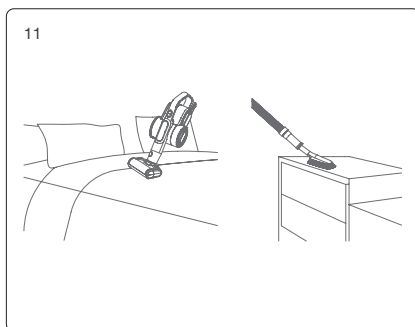
1. El filtro HEPA se puede adquirir en los distribuidores locales de aspiradoras.
2. Se recomienda limpiar el depósito de polvo después de cada uso. Cuando el depósito de polvo está lleno o el filtro HEPA está obstruido, debe limpiarse y sustituirse si es necesario.
3. El rodillo del cepillo de la aspiradora eléctrica puede enredarse con el pelo después de un uso prolongado. Debe limpiarse a tiempo para que la aspiradora funcione con mayor eficacia.

Limpieza del vaso de polvo y del sistema de filtrado

Cuando el depósito de polvo está lleno o el filtro HEPA está obstruido, la pantalla LED mostrará el icono HEPA para recordarle que debe limpiar el depósito de polvo y el filtro. Por favor, limpie la taza de polvo y el filtro HEPA a tiempo. Sustituya el filtro HEPA si es necesario.

Pasos para la limpieza del vaso de polvo y del sistema de filtrado :

1. Presione la tapa inferior del contenedor de polvo, abra el contenedor de polvo y deseche el polvo en la papelera.



2. Sujete la tapa HEPA y gírela en sentido contrario a las agujas del reloj, retire el conjunto HEPA de la aspiradora de mano para limpiarlo.
3. Sujete la parte superior del conjunto del ciclón y gírela en sentido contrario a las agujas del reloj para extraerlo de la aspiradora de mano y limpiarlo.
4. Si el HEPA necesita ser lavado, sujete el HEPA y gírela en el sentido de las agujas del reloj, luego retírelo de la cubierta del HEPA para lavarlo. El HEPA debe estar completamente seco antes de volver a utilizarlo.
5. Después de la limpieza, vuelva a montar las piezas en el orden inverso al del desmontaje.

Limpieza del rodillo de la brocha

1. Mueva el botón de liberación del cepillo en la dirección de la flecha para retirar la cubierta lateral.
2. Retira un extremo del cepillo y sácalo de la boquilla para limpiarlo.
3. Después de limpiar o sustituir la escobilla, vuelva a montarla en el orden inverso al del desmontaje.

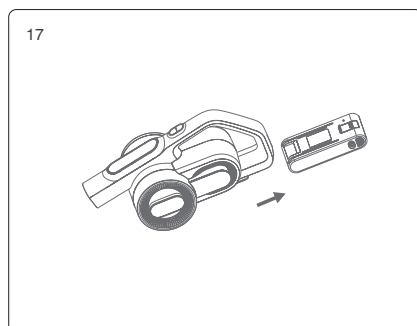
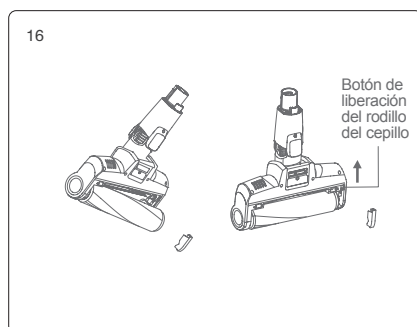
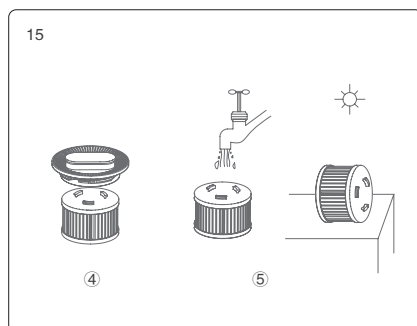
Almacenamiento de la aspiradora

Desmontaje de la batería

Presione el botón de liberación del paquete de baterías, retire el paquete de baterías en la dirección de la flecha y coloque el paquete de baterías en una bolsa de plástico y guárdelo en un lugar seco.

Almacenamiento de la aspiradora

Cuando la aspiradora no se haya utilizado durante mucho tiempo, retire el paquete de baterías, empaque el producto y guárdelo en un lugar fresco y seco, no lo ponga en la luz directa del sol ni en un ambiente húmedo.



Notas de seguridad

Esta aspiradora está diseñada para uso doméstico. No lo utilice para fines comerciales o de otro tipo.

Por favor, lea atentamente este manual de instrucciones antes de utilizarlo y guárdelo adecuadamente para su futuro uso.

No coloque la aspiradora cerca de un fuego u otra instalación de alta temperatura.

No utilice ni almacene la máquina en condiciones extremadamente malas, por ejemplo, con temperaturas extremas. Se recomienda utilizarlo en interiores a una temperatura entre 5 °C y 40 °C. Guarde la máquina en un lugar seco y evite la luz solar directa.

Cargue completamente la batería antes de usarla por primera vez o después de un largo almacenamiento.

Antes de utilizar la aspiradora, asegúrese de que el rodillo del cepillo está montado, de lo contrario puede provocar que el ventilador del motor se atasque y el motor falle.

Por favor, no utilice la aspiradora para aspirar detergente, aceite, escorias de vidrio, agujas, cenizas de cigarrillos, polvo húmedo, agua, cerillas, etc.

No utilice la aspiradora para recoger partículas pequeñas como cemento, polvo de yeso, polvo de pared u objetos grandes como bolas de papel, ya que de lo contrario se producirán averías como bloqueos y fallos del motor.

Evite bloquear la entrada de aire o la escobilla, ya que esto puede hacer que el motor falle.

No ponga la mano o el pie en la entrada del cabezal del suelo para evitar lesiones.

No vierta ni salpique agua u otros líquidos en la máquina para evitar que se produzca un cortocircuito y se quemé la máquina.

Si el cepillo no funciona, compruebe que no esté enredado en pelos u otras fibras largas y límpialo a tiempo.

Si la máquina va a estar almacenada durante mucho tiempo, asegúrese de que la batería está completamente cargada antes de almacenarla y cargue la máquina al menos cada tres meses.

Desenchufe el cargador para limpiar o reparar la máquina. Sujeta el cargador cuando lo enchufes o desenchufes y no tires del cable de carga.

Utilice un paño seco para limpiar la máquina. Los líquidos como la gasolina, el alcohol o el disolvente de lacas pueden provocar grietas o decoloración y no deben utilizarse.

Si la máquina no funciona después de ser cargada completamente, debe ser revisada y reparada en nuestra oficina designada, por favor no desmonte la máquina por usted mismo.

La máquina desechada contiene pilas. Deben reciclarse de forma segura. No los tire al azar.

Si el cable de alimentación está dañado, para evitar peligros, debe ser sustituido o reparado por el fabricante, repair o un profesional.

Este aparato puede ser utilizado por niños a partir de 8 años y por personas con capacidades físicas, sensoriales o mentales reducidas o con falta de experiencia y conocimientos si han recibido supervisión o instrucciones sobre el uso seguro del aparato y si comprenden los riesgos que conlleva.

La unidad sólo debe utilizarse con la fuente de alimentación suministrada.

Resolución de problemas

Por favor, compruebe los siguientes puntos antes de enviar la unidad al agente de reparación designado.

Problemas	Posibles causas	Soluciones
El motor no funciona	el paquete de baterías no está alimentado	Cargue la aspiradora
	El tubo metálico, el cabezal del suelo, el paquete de baterías y la aspiradora no están montados correctamente	Compruebe que los accesorios están correctamente montados en la aspiradora.
Gotas de succión	Taza de polvo completa	Limpie el recogedor
	Filtro bloqueado	Limpie o sustituya el filtro
	Flujo de aire del cabezal del suelo bloqueado	Limpie el paso de aire del cabezal del suelo
Corto tiempo de trabajo después de la carga	La máquina no está completamente cargada	Siga el manual de instrucciones para cargar completamente el paquete de baterías.
	Envejecimiento de la batería	Las baterías nuevas pueden adquirirse en un distribuidor local
El indicador de polvo está siempre en rojo	Sensor polvoriento	Limpie el polvo del colector de polvo en la entrada de aspiración de la aspiradora de mano

Cuando hay un fallo en los componentes eléctricos, que requiere un servicio profesional para su instrucción o reparación, la pantalla LED muestra una advertencia de fallo con un código de error de F1 a F8. Póngase en contacto con el departamento de servicio del agente local y facilite el código de error.

Los defectos de F1 a F8 son los siguientes:

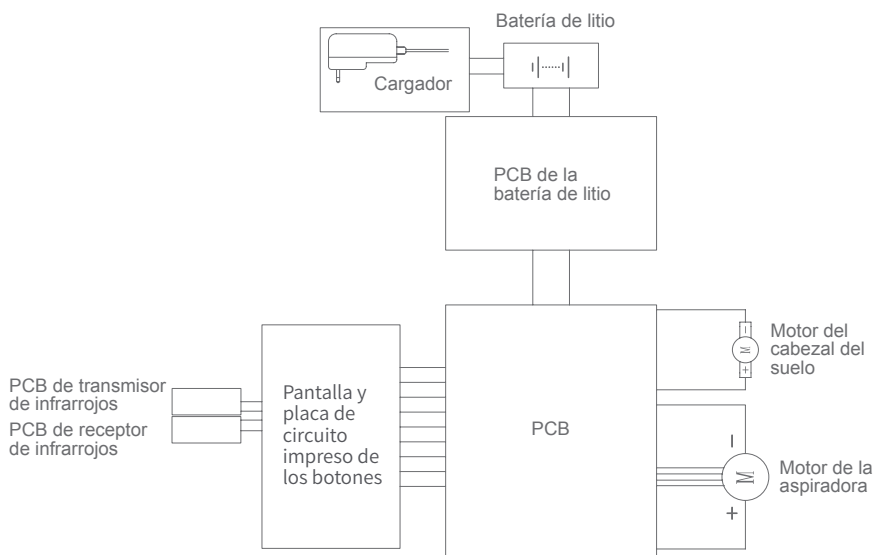
Código	Defectos	Soluciones
F1	La tira de níquel de la batería está rota	Sustituya o repare la batería
F2	Fallo del cargador	Sustituya el cargador
F3	Cortocircuito del motor de vacío	Sustituya el motor de aspiración
F4	Defectos en los componentes de la batería	Sustituya o repare la batería
F5	Protección de sobrecorriente de primer nivel para el motor de la aspiradora	Sustituya el motor de aspiración
F6	Protección de sobrecorriente de nivel secundario para el motor de la aspiradora	Sustituya el motor de aspiración
F7	Fallo en la placa de circuito impreso o cable suelto en la placa de circuito impreso	Sustituya el PCB o el cable del PCB
F8	Batería anómala NTC	Apague la aspiradora y espere a que el paquete de baterías se enfríe. Vuelva a encender el aparato. Si el código de error sigue apareciendo, sustituya la batería.

Atención: Si hay otros defectos que requieren herramientas especiales, para evitar cualquier peligro, la reparación debe ser realizada por los profesionales del fabricante, un agente de reparación o un agente similar.

Parámetros técnicos

Modelo	H8 Flex
Tensión nominal	25.2V $\overline{---$
Potencia nominal	550W
Tensión de entrada del cargador	100-240V ~ 50/60Hz
Tensión de salida del cargador	30V $\overline{---$ 600mA
Modelo de cabezal de suelo eléctrico	T-EB110VE
Potencia nominal del cabezal de suelo eléctrico	30W
Capacidad de la batería	2500mAh
Tiempo de carga	4-5h

Esquema de conexiones



Información del fabricante

Fabricante	Kingclean Electric Co, Ltd
Dirección	No.1 Xiangyang road, Suzhou New District, provincia de Jiangsu, 215009, China



Eliminación

La máquina, los accesorios y el embalaje deben clasificarse para su reciclaje ecológico.



No tire la máquina a la basura doméstica.

Sólo para los países de la CE:

De acuerdo con la directiva de la UE 2012/19/UE, las máquinas que ya no son utilizables y de acuerdo con la directiva de la UE 2006/66/CE, el paquete de baterías defectuoso o usado debe ser recogido por separado y eliminado de manera ecológica.

Paquete de baterías:

Las baterías incorporadas sólo pueden ser retiradas para su eliminación por personal cualificado.

Abrir la carcasa puede dañar o destruir la máquina.

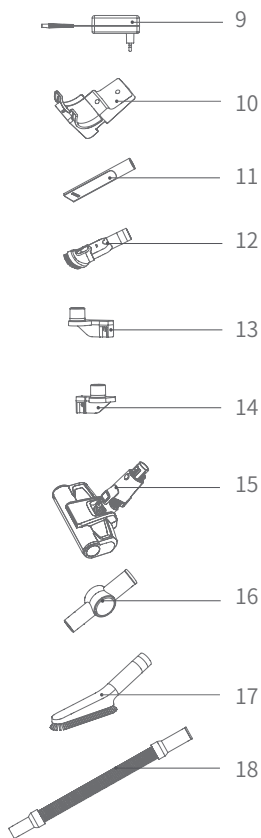
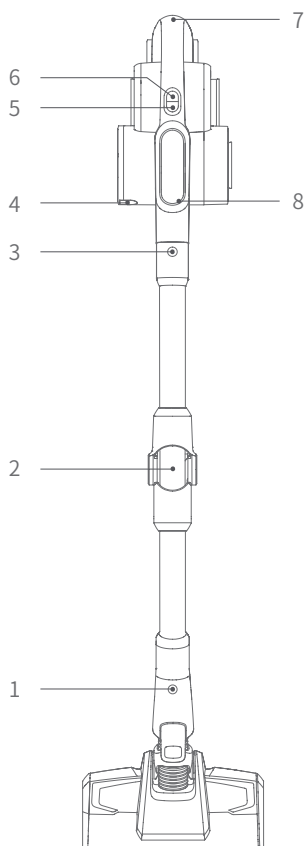
No tire las pilas/baterías a la basura doméstica, al fuego o al agua. Si es posible, el paquete de baterías o las baterías deben descargarse, recogerse, reciclarse o eliminarse de forma respetuosa con el medio ambiente.

Sujeto a cambios sin previo aviso. s

Información sobre la garantía

Este producto está cubierto por una garantía de dos años a partir de la fecha de compra. No cubre el desgaste normal, el uso comercial, las modificaciones realizadas en el equipo después de la compra, las actividades de limpieza, el mal uso, los daños causados por el comprador o por terceros, los daños debidos al entorno exterior.

Наименование деталей



1. Кнопка разблокировки напольной щетки
3. Кнопка разблокировки металлической трубки
5. Кнопка регулировки скорости
7. Кнопка разблокировки аккумуляторной батареи
9. Зарядное устройство
11. Насадка для узких мест
13. Левый держатель для аксессуаров
15. Электрическая щетка для матрасов
17. Мягкая щетка

2. Гибкая металлическая трубка
4. Защелка фиксатора пылесборника
6. Кнопка включения/выключения
8. Светодиодный дисплей
10. Подставка для зарядки
12. Насадка для мебели
14. Правый держатель для аксессуаров
16. Соединитель
18. Эластичный шланг

Комплектация

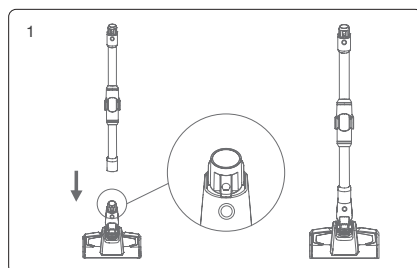
Название	Ручной пылесос	Электрическая насадка для пола	Электрическая щетка для матрасов	Насадка для мебели	Насадка для узких мест
Количество	1	1	1	1	1
Название	Мягкая щетка	Подставка для зарядки	Соединитель	Эластичный шланг	Гибкая металлическая трубка
Количество	1	1	1	1	1
Название	Зарядное устройство	Винт	Расширительная трубка	Руководство по эксплуатации	Держатели для аксессуаров
Количество	1	4	2	1	2

Монтаж устройства

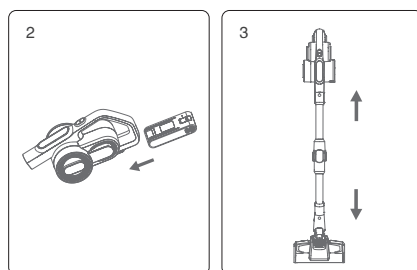
Сборка электрической насадки для пола и металлической трубки

Удерживая насадку для пола левой рукой, правой рукой вставьте металлическую трубку вертикально в насадку для пола, нажимайте на трубку до тех пор, пока не услышите «щелчок».

Примечание: при сборке держите рукоятку и напольную щетку в одном направлении, и вставьте штифт в гнездо.



При упаковке, хранении или чистке, если необходимо снять электрическую насадку для пола, нажмите кнопку разблокировки, как показано на рисунке, и потяните электрическую насадку для пола в направлении, показанном на рисунке.



Установка аккумуляторной батареи и ручного пылесоса

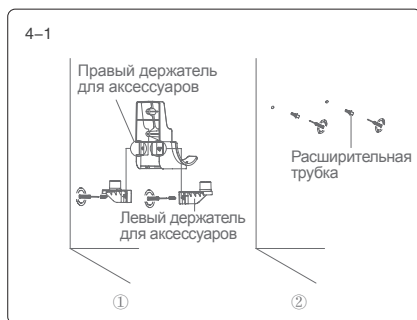
Установка аккумуляторной батареи: вставьте аккумулятор в корпус пылесоса в соответствии с направлением стрелки, показанным на рисунке. Потяните аккумулятор после установки, чтобы убедиться, что он плотно установлен.

Примечание: Если пылесос не используется в течение длительного времени, извлеките аккумуляторную батарею, упакуйте пылесос и поместите на хранение в прохладное и сухое место, избегая попадания прямых солнечных лучей или влажной среды.

Сборка металлической трубки и ручного пылесоса

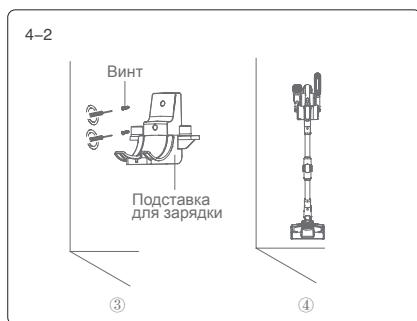
Сначала соберите насадку для пола и металлическую трубку в соответствии с методом сборки электрической насадки для пола и металлической трубки.

Затем, как показано стрелкой, совместите штифт металлической трубки с всасывающим соплом ручного пылесоса, проталкивайте металлическую трубку вверх до тех пор, пока не услышите «щелчок».



Сборка подставки для зарядки

Установите держатели для аксессуаров в отверстие, затем закрепите держатели винтами. Поместите пылесос на подставку и прислоните его к стене, установите подставку так, чтобы насадка для пола пылесоса не касалась напольной поверхности. Снимите ручной пылесос, поместите расширительную трубку на стену и установите подставку в положение расширительной трубки, затем зафиксируйте винт. После завершения сборки поместите пылесос в подставку зарядного устройства для зарядки или хранения. (Внимание: Не устанавливайте подставку в ванной или другом влажном помещении).

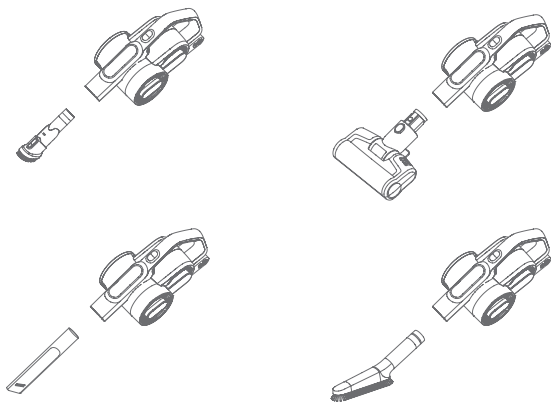


Сборка насадок

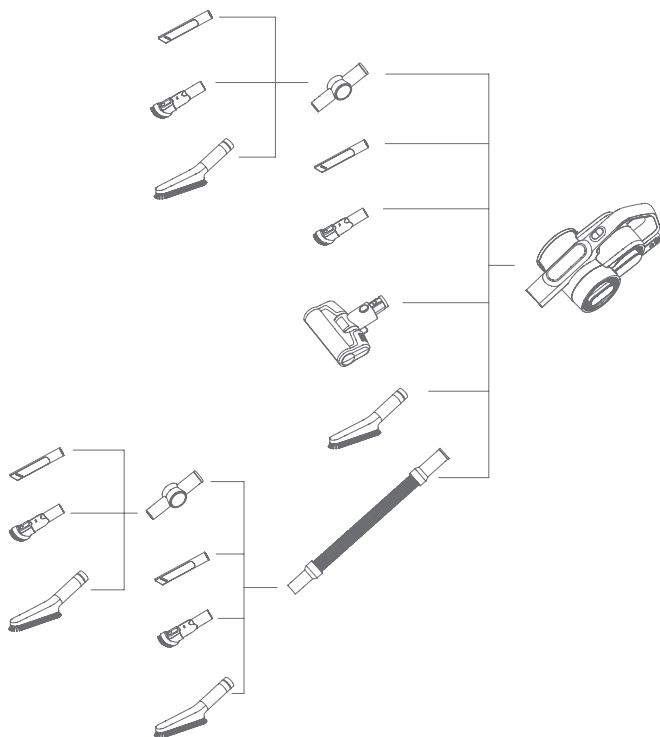
Для удобства использования данное устройство специально снабжено рядом насадок для ручного пылесоса. Если вы используете ручной пылесос отдельно, можно напрямую подсоединить насадки с учетом потребностей или подсоединить насадки через эластичный шланг.

Название	Модель	H8 Flex
Электрическая щетка для матрасов		
Насадка для мебели		
Насадка для узких мест		
Мягкая щетка		
Эластичный шланг		
Соединитель		

Подключите электрическую щетку для матрасов, насадку для узких мест, насадку для мебели и мягкую щетку к ручному пылесосу, как показано на рисунке.



Перечень подключения насадок



Использование пылесоса

Зарядка

Примечание: При первом использовании устройства аккумуляторная батарея заряжена не полностью. Следует полностью зарядить аккумулятор пылесоса перед использованием.

Зарядка пылесоса

Если питание пылесоса слабое, своевременно зарядите пылесос. Когда напряжение слишком низкое, чтобы защитить аккумулятор, пылесос будет автоматически отключается, в это время пылесос необходимо зарядить. При зарядке вставьте разъем зарядного устройства в розетку переменного тока, подключите другой конец зарядного устройства к аккумулятору, чтобы зарядить его. Когда светодиодный дисплей ручного пылесоса показывает увеличение питания, это означает, что пылесос заряжается. Когда зарядка завершена, светодиодный дисплей показывает уровень питания 100%.

Если батарейный блок не установлен на устройство для зарядки, во время зарядки индикатор на батарейном блоке горит красным цветом и становится зеленым после его - полной зарядки.

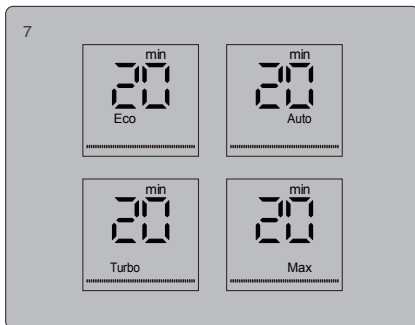
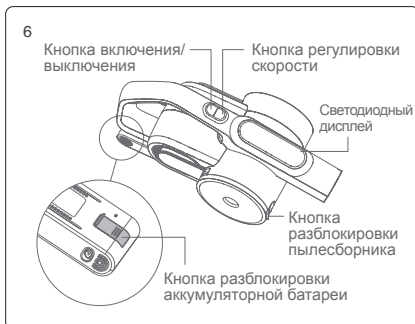
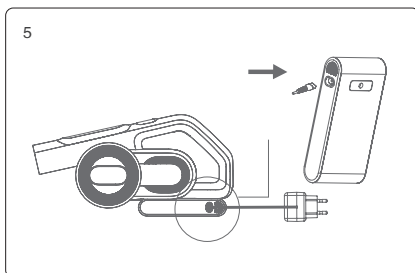
Примечание:

1. Если заряд аккумулятора составляет меньше $\leq 20\%$, если устройство работает в режиме «Max», оно автоматически переключится в режим «Eco». Когда аккумулятор разрядится, устройство автоматически выключится.
2. Если пылесос не используется в течение длительного времени необходимо заряжать батарею, по крайней мере, через каждые три месяца, чтобы не допустить ее выхода из строя.
3. После зарядки, пожалуйста, выньте вилку зарядного устройства из розетки и прекратите зарядку.
4. Если шнур питания поврежден, во избежание опасности потребуются обратиться для проведения ремонта или замены к производителю, в другие сервисные центры или к специалистам из аналогичных служб.

Использование ручного пылесоса и отображение информации на дисплее

Снимите пылесос с подставки, нажмите кнопку включения/выключения, чтобы запустить или остановить пылесос. Кнопка режима позволяет настроить рабочий режим. Когда устройство включено, оно работает в режиме «Auto», нажмите кнопку режима для переключения в последовательности «Turbo - Max - Eco - Auto». При переключении режима соответствующий режим отображается на дисплее.

В средней части дисплея отображается оставшееся время работы устройства в текущем



режиме. При переключении режима оставшееся время работы изменяется соответствующим образом.

Когда устройство работает в режиме «Мах», и заряд батареи падает ниже 20%, для увеличения времени работы устройства, оно автоматически переключится из режима «Мах» в режим «Есо». После зарядки аккумулятора до уровня более 20% устройство может работать в режиме «Мах».

Когда устройство работает в режиме «Auto», оно регулирует рабочую мощность, в зависимости от содержания пыли и типа напольного покрытия, определенного устройством, чтобы обеспечить более высокую эффективность уборки. В режиме «Auto» светодиодный дисплей отображает «Auto» независимо от того, насколько высока рабочая мощность.

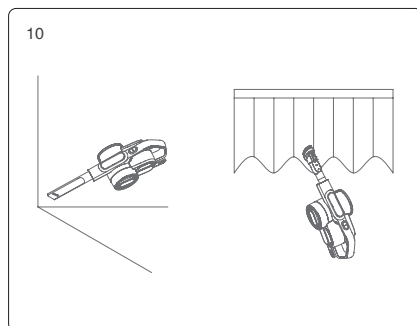
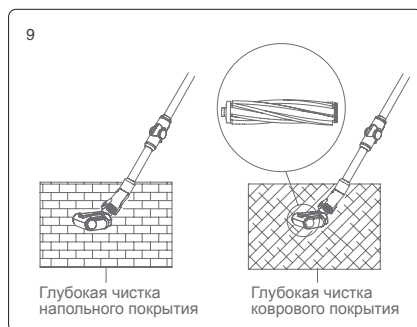
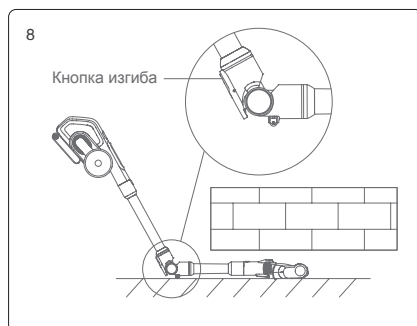
Устройство оснащено датчиком уровня содержания пыли. В нижней части светодиодного дисплея расположена световая полоса для отображения уровня содержания пыли. По мере уменьшения содержания пыли от высокого к низкому красный цвет уменьшается, а синий увеличивается. Если полоса полностью синяя, убираемая поверхность чистая. Чистота убираемой поверхности может быть визуализирована с помощью светодиодного дисплея.

Использование гибкой металлической трубки

Гибкая металлическая трубка имеет два режима: вертикальный и изогнутый. Вертикальный режим соответствует обычной металлической трубке. Изогнутый режим можно использовать для очистки под столом, кроватью и т.д. Когда необходим изогнутый режим, нажмите кнопку изгиба, как показано на рисунке 8, и металлическая трубка может достичь угла изгиба 0-90°.

Использование электрической насадки для пола

Электрическая насадка для пола подходит для очистки всех видов напольных поверхностей, таких как твердый пол, плитка, ковер и т.д. В комплект поставки входит дополнительная роликовая щетка для ковров, которую можно заменить на насадку для глубокой очистки ковра. Примечание: Если во время работы электрической насадки для пола происходит всасывание большого количества посторонних частиц или наматывается слишком много волокон, или если ребенок, играя с пылесосом случайно засунет руку в сопло, что приведет к нештатной остановке роликовой щетки, электрическая насадка для пола прекратит работу, чтобы обеспечить личную безопасность и защиту двигателя щетки.



Использование насадок

Насадка для узких мест: подходит для очистки щелей, углов дверей или окон и других узких мест.

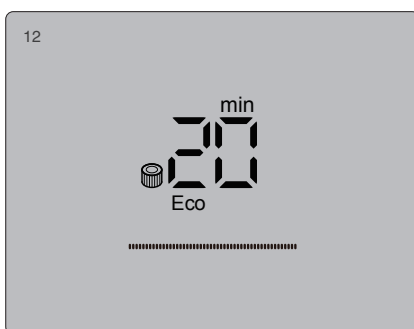
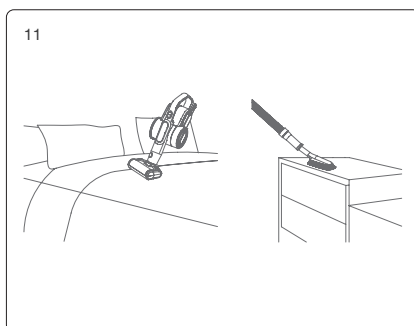
Насадка для мебели: подходит для очистки шкафов, подоконников, обивки мебели и поверхности столов.

Мягкая щетка: подходит для чистки легко царапающейся мебели, такой как книжная полка, изделия ручной работы и т.д.

Эластичный шланг: подходит для соединения с другими насадками для очистки труднодоступных мест.

Электрическая щетка для матрасов: Подходит для матраса дивана и кровати. Роликовая щетка выбивает, а затем вычищает пылевого клеща и аллергены из глубины дивана или кровати.

Соединитель: Может соединяться с другими насадками и сгибаться под разными углами для уборки пыли сверху высоких шкафов или пыли на крыше.



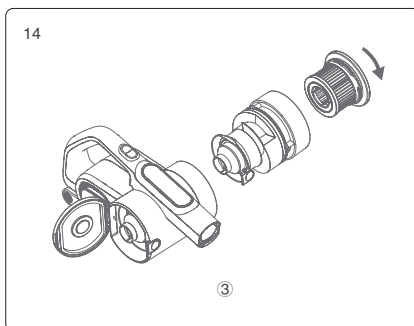
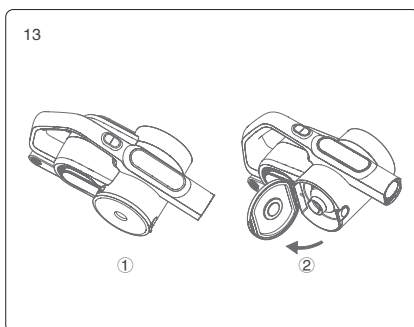
Очистка и замена деталей

Внимание:

1. HEPA-фильтр (высокоэффективный сухой воздушный фильтр) можно приобрести у местных дистрибьюторов пылесосов.
2. Рекомендуется очищать пылесборник после каждого использования. Когда пылесборник переполнен или HEPA-фильтр засорен, его необходимо очистить и, при необходимости, заменить.
3. После длительного использования электрической насадки для пола в ее валике могут запутаться волосы. Его необходимо своевременно очищать, чтобы пылесос работал более эффективно.

Очистка пылесборника и системы фильтрации

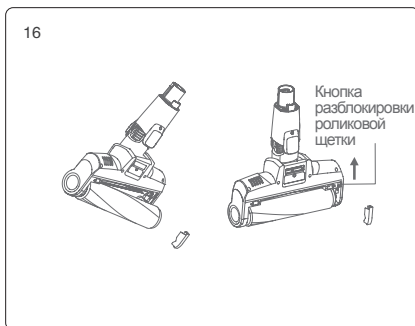
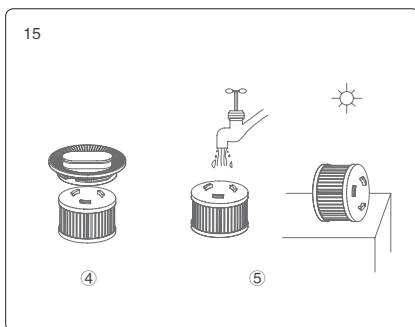
Когда пылесборник переполнен или HEPA засорен, на светодиодном дисплее появится значок HEPA в виде картинki, напоминающий о необходимости очистки пылесборника и фильтра. Пожалуйста, своевременно очищайте пылесборник и HEPA-фильтр. При



необходимости замените HEPA-фильтр.

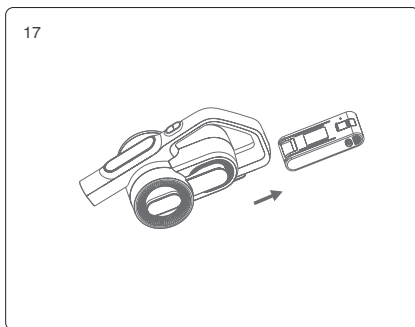
Этапы очистки пылесборника и системы фильтрации:

1. Нажмите на нижнюю крышку пылесборника, откройте пылесборник и выбросьте пыль в мусорное ведро.
2. Удерживая крышку HEPA и поворачивая ее против часовой стрелки, снимите узел HEPA с ручного пылесоса для очистки.
3. Удерживая верхнюю часть блока циклона и поворачивая против часовой стрелки, снимите узел циклона с ручного пылесоса для очистки.
4. Если HEPA нуждается в промывке, возьмите HEPA и, вращая по часовой стрелке, снимите его с крышки HEPA для промывки. Перед повторным использованием HEPA должен полностью высохнуть.
5. После очистки соберите детали в последовательности, обратной разборке.



Очистка роликовой щетки

1. Переместите кнопку отсоединения роликовой щетки вдоль направления стрелки, снимите боковую крышку.
2. Снимите один конец валика щетки и выньте его из насадки для очистки.
3. После очистки или замены роликовой щетки соберите ее в последовательности, обратной разборке.



Хранение пылесоса

Извлечение аккумуляторной батареи

Нажмите кнопку разблокировки аккумулятора, извлеките аккумулятор в направлении стрелки и поместите его в пластиковый пакет, затем храните в сухом месте.

Хранение устройства

Если пылесос не используется в течение длительного времени, извлеките аккумуляторную батарею, упакуйте пылесос и поместите на хранение в прохладное и сухое место, не располагайте под прямыми солнечными лучами или во влажной среде.

Требования по технике безопасности

Данный пылесос предназначен для применения в домашних условиях. Пожалуйста, не используйте его в коммерческих или других целях.

Прежде, чем использовать данный пылесос, внимательно ознакомьтесь с руководством пользователя. Сохраните его для дальнейшего ознакомления.

Не размещайте пылесос близко к огню или другим нагревательным приборам.

Не используйте и не храните пылесос при экстремальных неблагоприятных условиях, например, при экстремальной температуре. Рекомендуется использовать пылесос в помещении при температуре от 5 °С до 40 °С. Храните устройство в сухом месте и не допускайте попадания прямых солнечных лучей.

Полностью заряжайте аккумуляторную батарею перед первым использованием или после длительного хранения.

Перед использованием пылесоса убедитесь в том, что роликовая щетка собрана, в противном случае это может привести к засорению вентилятора двигателя, что приведет к перегоранию двигателя.

Не используйте пылесос для всасывания мощных средств, масла, осколков стекла, иголок, пепла от сигарет, влажной пыли, воды, спичек и других предметов.

Не используйте пылесос для всасывания мелких частиц, таких как цемент, гипсовый порошок, строительный порошок или крупных предметов, например, шариков из бумаги, в противном случае это приведет к таким неисправностям, как засорение и перегорание двигателя.

Не допускайте засорения всасывающего отверстия или роликовой щетки, так как это может привести к отказу двигателя.

Для предотвращения травмирования не допускайте попадания руки или ноги во всасывающее отверстие.

Не наливайте и не впрыскивайте воду или другие жидкости внутрь пылесоса, чтобы не допустить короткого замыкания и прекращения работы пылесоса.

Если роликовая щетка не работает, убедитесь в том, что на нее не намотались волосы или другие длинные волокна, своевременно очищайте щетку.

Если пылесос не будет использоваться в течение длительного времени, перед тем как поместить его на хранение необходимо убедиться в полной зарядке аккумуляторной батареи. Пылесос необходимо заряжать не реже одного раза в три месяца.

Отключите зарядное устройство от сети на время очистки или ремонта устройства. Держите вилку зарядного устройства при подключении или отключении от сети и не тяните за зарядный шнур.

Для очистки пылесоса используйте сухую ткань. Не используйте такие жидкости, как бензин, спирт, растворитель лака, так как это может привести к появлению трещин или обесцвечиванию.

Если после полной зарядки пылесос не работает, обращайтесь в авторизованный центр нашей компании, не разбирайте устройство самостоятельно.

В отработанном пылесосе содержится батарея. Ее следует утилизировать безопасным способом. Утилизация произвольным способом не допускается.

При наличии повреждений шнура питания, для предотвращения несчастного случая, необходимо обратиться к производителю, сервисный центр или к специалисту для замены или ремонта.

Данный пылесос может использоваться детьми в возрасте от 8 лет и старше, а также лицами с ограниченными физическими, сенсорными или умственными способностями, или не обладающими достаточным опытом и знаниями в том случае, если они прошли инструктаж или получили указания по использованию пылесоса безопасным образом и осознают опасности, связанные с использованием данного устройства.

Данный пылесос можно использовать только с зарядным устройством, входящим в комплект поставки.

Транспортируйте устройство только в его оригинальной упаковке.

Не транспортируйте устройство при температуре выше 50°C или ниже 0°C.

Поиск и устранение неисправностей

Пожалуйста, ознакомьтесь с приведенными ниже описаниями неисправностей и их способами устранения перед обращением в сервисный центр.

Неисправность	Возможные причины	Способы устранения
Двигатель не работает	Аккумуляторная батарея разряжена	Зарядите пылесос
	Металлическая трубка, напольная щетка, аккумуляторная батарея и пылесос собраны неправильно	Проверьте правильность подключения насадок к пылесосу
Уменьшение мощности всасывания	Пылесборник заполнен до отказа	Очистите пылесборник
	Засорен фильтр	Очистите или замените фильтр
	Засорен воздушный канал напольной щетки	Очистите воздушный канал насадки для пола
Короткое время работы после зарядки	Аккумулятор устройства не полностью заряжен	Следуйте руководству по эксплуатации для полной зарядки аккумулятора
	Ухудшения качества аккумулятора	Новые аккумуляторы можно приобрести у местного дистрибьютора
Индикатор содержания пыли всегда красный	Датчик уровня содержания пыли покрыт пылью	Очистите датчик от пыли, расположенный на всасывающем отверстии ручного пылесоса

При неисправности электрических компонентов, для устранения которой требуется профессиональное обслуживание или ремонт, на светодиодном экране отображается предупреждение о неисправности с кодом ошибки от F1 до F8. Обратитесь в службу послепродажного обслуживания местного дистрибьютора и сообщите код ошибки.

Неисправности по кодам F1 - F8 представляют собой следующее:

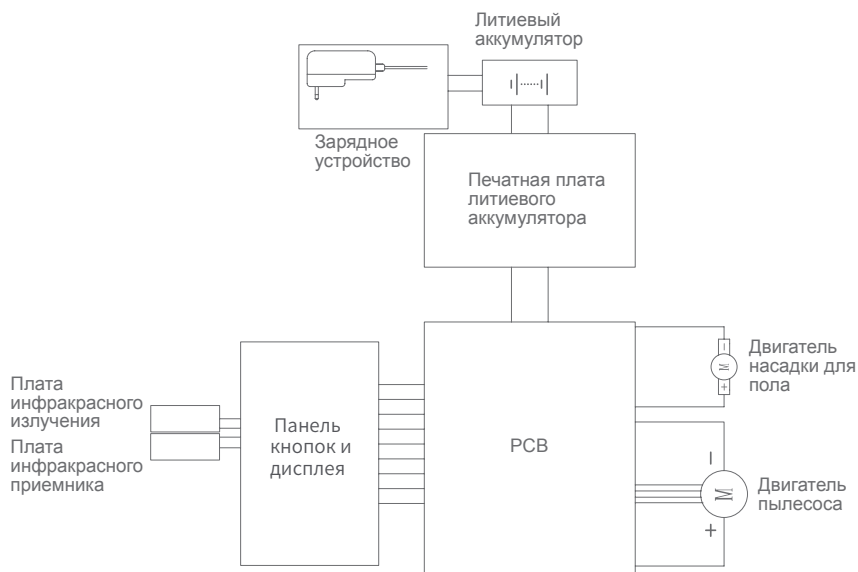
Код	Неисправность	Способы устранения
F1	Повреждена никелевая полоска аккумулятора	Замените или отремонтируйте аккумулятор
F2	Неисправность зарядного устройства	Замените зарядное устройство
F3	Короткое замыкание двигателя пылесоса	Замените двигатель пылесоса
F4	Неисправность элемента аккумулятора	Замените или отремонтируйте аккумулятор
F5	Первичная защита двигателя пылесоса от перегрузки по току	Замените двигатель пылесоса
F6	Вторичная защита двигателя пылесоса от перегрузки по току	Замените двигатель пылесоса
F7	Неисправность ПП (печатной платы) или ослабление проводки ПП	Замените ПП (печатную плату) или проводку ПП
F8	Неисправность термистора NTC (Отрицательного температурного коэффициента) аккумуляторной батареи	Выключите пылесос и подождите, пока аккумулятор остынет. Включите его снова. Если код ошибки все еще появляется, замените аккумулятор

Примечание: В случае возникновения каких-либо иных неисправностей, для устранения которых требуется профессиональный инструмент, в целях предупреждения опасности, потребуется обратиться для проведения ремонта или замены к производителю, в другие сервисные центры или к специалистам из аналогичных служб.

Технические характеристики

Модель №	H8 Flex
Номинальное напряжение	25.2В
Входное напряжение зарядного устройства	550Вт
Выходное напряжение зарядного устройства	100-240В ~ 50/60Гц
Номинальная мощность электрической насадки для пола	30В --- 600мА
Номинальная мощность электрической насадки для пола	T-EB110VE
Емкость аккумуляторной батареи	30Вт
Емкость аккумулятора	2500мА/ч
Время зарядки	4-5ч

Электрическая схема



Информация о производителе

Производитель	Кингклин Электрик Ко., Лтд
Адрес	№1, Сянян Роуд, Нью Дистрикт, Сучжоу, Цзянсу Провинс, Китай



Утилизация

Во избежание нанесения вреда окружающей среде или здоровью человека от неконтролируемого выброса отходов, устройство необходимо утилизировать отдельно от других отходов и надлежащим образом переработать для повторного использования.



Отработанные приборы не должны выбрасываться совместно с бытовыми отходами!

Только для стран-членов ЕС:

В соответствии с Европейской директивой 2012/19/EU отслужившие приборы и в соответствии с Европейской директивой 2006/66/ЕС поврежденные либо отработанные аккумуляторные батареи / батарейки необходимо собирать отдельно и утилизировать без ущерба для окружающей среды.

Аккумуляторные батареи/батарейки

Интегрированные аккумуляторные батареи разрешается извлекать для утилизации только квалифицированным персоналом.

Вскрытие корпуса чревато повреждением или разрушением прибора. Не выбрасывайте аккумуляторные батареи/батарейки в бытовой мусор, огонь или воду. Аккумуляторные батареи/батарейки следует собирать по возможности в разряженном состоянии для вторичной переработки или утилизации экологически безопасным образом.

Возможно внесение изменений без уведомления.

Информация о гарантии

Гарантийный срок на изделие составляет 1 (один) год с даты покупки.
Срок службы изделия составляет 5 (пять) лет с даты покупки.

Гарантия не предоставляется в случае естественного износа, использования в коммерческих целях, изменений первоначального состояния прибора, работ по очистке, при последствиях ненадлежащего обращения или повреждении покупателем, или третьими лицами, повреждении, вызванными внешними обстоятельствами.

Как узнать дату производства из серийного номера

Этикетка с серийным номером размещается на упаковке устройства, а также на корпусе самого устройства. Дата производства закодирована в его серийном номере.

Чтобы расшифровать дату производства, ознакомьтесь с примером серийного номера, который показан ниже:



Дата производства состоит из первых 3 символов: первый символ – год, второй символ – месяц, третий символ – день.

DBP800547

D – год

B – месяц

P – день

8 – производственная линия

00547 – собственно серийный номер устройства

В нашем примере дата производства 23 ноября 2019 года.

Воспользуйтесь информацией, приведенной в таблице ниже для расшифровки даты производства данного устройства.

Год		Месяц		Дата			
Год	Символ	Месяц	Символ	Дата	Символ	Дата	Символ
2016	A	Январь	1	1	1	17	H
2017	B	Февраль	2	2	2	18	J
2018	C	Март	3	3	3	19	K
2019	D	Апрель	4	4	4	20	L
2020	E	Май	5	5	5	21	M
2021	F	Июнь	6	6	6	22	N
2022	G	Июль	7	7	7	23	P
2023	H	Август	8	8	8	24	Q
2024	J	Сентябрь	9	9	9	25	R
2025	K	Октябрь	A	10	A	26	S
2026	L	Ноябрь	B	11	B	27	T
2027	M	Декабрь	C	12	C	28	U
2028	N			13	D	29	V
2029	P			14	E	30	W
2030	Q			15	F	31	X
2031	R			16	G		

Сделано в Китае
Товар сертифицирован



JIMMY



Contact us -we'll get back within 1 business day.



Web:www.jimmyglobal.com
Email:support@jimmyglobal.com